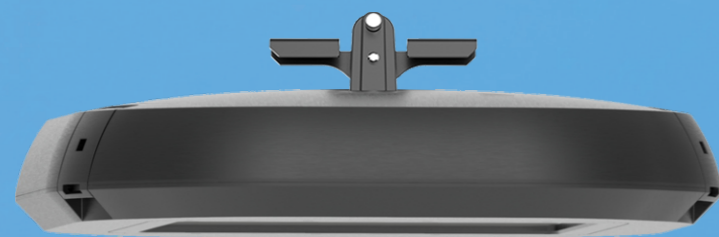


Polaris

JD-1082



Product Features:

- LED: Lumileds 3030 or 5050
- Driver: Philips/Meanwell/Inventronics
- Used in high strength aluminum die casting material, surface anti-aging electrostatic spray processing, super resistance to corrosion.
- High transparent tempered glass cover, high strength impact resistance.
- Input Voltage: AC100-277V, 50/60Hz, IP66, IK08/09
- Different type lens for choice
- Windy area : 0.22m²
- Spare parts for choice 10 kv/20kv SPD
- 1-10V dimming/DALI 2.0/Time control/D4I
- auto switch
- 5 years warranty

技术参数 Specification

产品型号	Product Code	JD-1082A	JD-1082B	JD-1082C
LED数量	LED Quantity	24pcs 5050/72pcs 3030	48pcs 5050/144pcs 3030	64pcs 5050/192pcs 3030
额定功率	Rate Power	30W	60W	100W
色温	Color Temperature	2200K-6500K	2200K-6500K	2200K-6500K
灯具光效	Luminous Flux	150 LM/W(5050) /140 LM/W(3030)	150 LM/W(5050) /140 LM/W(3030)	150 LM/W(5050) /140 LM/W(3030)
输入电压	Input Voltage	AC100-277V	AC100-277V	AC100-277V
频率	Frequency Range	50/60Hz	50/60Hz	50/60Hz
显色指数	CRI	Ra75	Ra75	Ra75
工作环境温度	Temperature of working condition	-40℃ - 50℃	-40℃ - 50℃	-40℃ - 50℃
工作环境湿度	Humidity of working condition	20%-90%	20%-90%	20%-90%
LED 寿命	LED life time	100000H	100000H	100000H
防护等级	Protection Grade	IP66	IP66	IP66
安装管径	Installation Pipe Dia	Φ60mm	Φ60mm	Φ60mm
安装高度	Installation Height	3-5m	5-8m	8-10m
净重	Net Weight	5.7kg	5.9kg	6.1kg
毛重	Gross Weight	6.9kg	7.1kg	7.3kg
产品尺寸	Product Size	482x468x142mm	482x468x142mm	482x468x142mm
包装尺寸	Packing Size	640x560x170mm	640x560x170mm	640x560x170mm

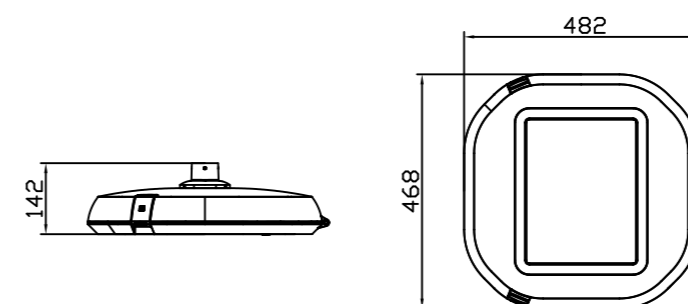
注:包装尺寸为外尺寸

本表所示技术参数均在环境温度为25℃,湿度35%的实验室环境中测得。

Packing size is outer size of box

All parameters are measured at 25℃ ambient temperature, 35% humidity experimental environment.

产品尺寸 Product Dimension



Light Distribution Curve

