



Wand

JD-1060



JD-1060P



Led Garden Light

Philips Lumileds 5050 or 3030 Led
Philips/Meanwell/Inventronics driver

- Used in high strength aluminum die casting material, surface anti-aging electrostatic spray processing, super resistance to corrosion.
- High transparent tempered glass cover, high strength impact resistance.
- Input Voltage: AC100-277V, 50/60Hz, IP66, IK09
- Different type lens for choice
- Windy area : 700cm²
- Spare parts for choice 10 kv/20kv SPD
- 0-10v dimming driver
- auto switch
- 5 years warranty

CE CB

金典照明
GOLDEN CLASSIC

技术参数 Specification

产品型号	Product Code	JD-1060A/JD-1060A-P	JD-1060B/JD-1060B-P	JD-1060C/JD-1060C-P
LED数量	LED Quantity	24pcs 5050/72pcs 3030	48pcs 5050/144pcs 3030	64pcs 5050/192pcs 3030
额定功率	Rate Power	30W	60W	100W
色温	Color Temperature	6500/4000/3000K	6500/4000/3000K	6500/4000/3000K
灯具光效	Luminous Flux	140-150lm/w	140-150lm/w	140-150lm/w
输入电压	Input Voltage	AC100-277V	AC100-277V	AC100-277V
频率	Frequency Range	50/60Hz	50/60Hz	50/60Hz
显色指数	CRI	Ra75	Ra75	Ra75
工作环境温度	Temperature of working condition	-40°C~50°C	-40°C~50°C	-40°C~50°C
工作环境湿度	Humidity of working condition	20%-90%	20%-90%	20%-90%
LED 寿命	LED life time	100000H (L70B50)	100000H (L70B50)	100000H (L70B50)
防护等级	Protection Grade	IP66	IP66	IP66
安装高度	Installation Height	3-5m	5-8m	8-10m
净重	Net Weight	6.3kg	6.5kg	6.7kg
毛重	Gross Weight	7.5kg	7.7kg	7.9kg
产品尺寸	Product Size	670x470x110mm	670x470x110mm	670x470x110mm
包装尺寸	Packing Size	Light head: 63.5x53.5x15cm, bracket: 56*56*31CM, bracket: JD-1060 42PCS/CTN, JD-1061/1064 10PCS/CTN, JD-1062W 25PCS/CTN, JD-1063 18PCS/CTN		

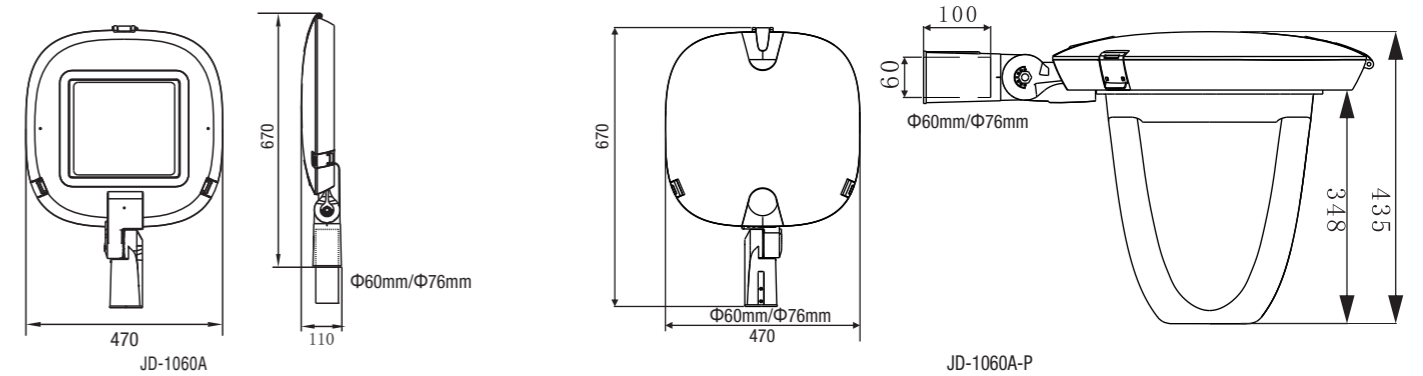
注:包装尺寸为外尺寸

本表所示技术参数均在环境温度为25°C,湿度35%的实验室环境中测得。

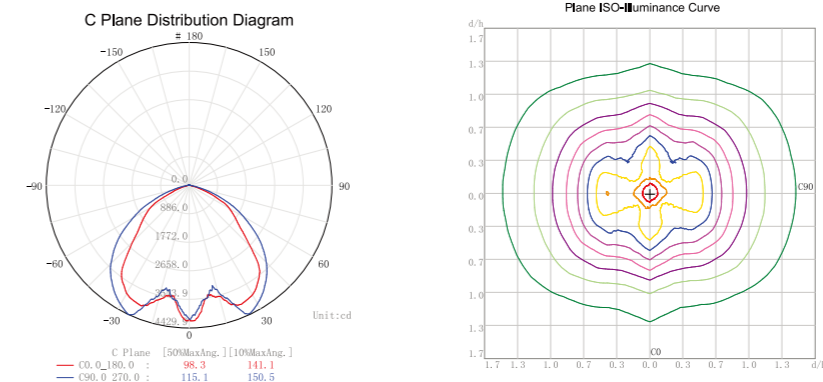
Packing size is outer size of box

All parameters are measured at 25°C ambient temperature, 35% humidity experimental environment.

产品尺寸 Product Dimension



配光曲线图 Light Distribution Curve



AC100-277V 输入电压 Input Voltage	Hz 50/60 频率范围 Frequency Range	PF >0.92 功率因数 Power Factor	<15% 总谐波失真 THD	CRI 75 显示指数 Color Rendering Index	-40~45°C 工作环境温度 Temperature of Working Condition	20~90% 工作环境湿度 Humidity of Working Condition	100000H (L70B50) 使用寿命 Life Time	IP66 防护等级 Protection Grade
-------------------------------------	--	-------------------------------------	----------------------	--	--	---	--	----------------------------------