

# Odette

JD-1037



Led Tunnel Light



JD-SL1037

LED/Philips Lumileds 5050 or 3030  
Driver:philips/Meanwell/Inventronics

- Modern fashion design of appearance, made the light become an artwork, integrated with the environment perfectly, to make it a top project.
- High strength aluminum die casting material, surface anti-aging electrostatic spray processing, superresistance to corrosion.
- PMMA lens cover.
- Input Voltage: AC100-277V, 50/60Hz, IP66, IK08
- Horizontal installation: +10° ~ -10°
- Vertical installation: +10° ~ -10°
- LED modules: 1-4 pcs for choice
- LED modules: 2-4 pcs for choice.
- Spare parts for choice
- 10 kv/20kv SPD
- 0-10v dimming driver
- auto switch
- Nema socket

技术参数 Specification

产品型号	Product Code	JD-1037A	JD-1037B	JD-1037C	JD-S1037B	JD-S1037C	JD-S1037D
LED数量	LED Quantity	28pcs 5050/63pcs 3030	56pcs 5050/126pcs 3030	84pcs 5050/189pcs 3030	56pcs 5050/126pcs 3030	84pcs 5050/189pcs 3030	112pcs 5050/252pcs 3030
额定功率	Rate Power	60W	120W	180W	120W	180W	240W
色温	Color Temperature	6500/4000/3000K	6500/4000/3000K	6500/4000/3000K	6500/4000/3000K	6500/4000/3000K	6500/4000/3000K
灯具光效	Luminous FLUX	130-165lm/w	130-165lm/w	130-165lm/w	130-165lm/w	130-165lm/w	130-165lm/w
输入电压	Input Voltage	AC100-277V	AC100-277V	AC100-277V	AC100-277V	AC100-277V	AC100-277V
频率	Frequency Range	50/60Hz	50/60Hz	50/60Hz	50/60Hz	50/60Hz	50/60Hz
显色指数	CRI	RA75	RA75	RA75	RA75	RA75	RA75
工作环境温度	Temperature of working condition	-40°C~50°C	-40°C~50°C	-40°C~50°C	-40°C~50°C	-40°C~50°C	-40°C~50°C
工作环境湿度	Humidity of working condition	20%-90%	20%-90%	20%-90%	20%-90%	20%-90%	20%-90%
LED 寿命	LED life time	100000H (L70B50)	100000H (L70B50)	100000H (L70B50)	100000H (L70B50)	100000H (L70B50)	100000H (L70B50)
防护等级	Protection Grade	IP66	IP66	IP66	IP66	IP66	IP66
功率因素	PF	0.92	0.92	0.92	0.92	0.92	0.92
安装管径	Installation Pipe Dia	Φ60mm/Φ40mm	Φ60mm/Φ40mm	Φ60mm/Φ40mm			
安装高度	Installation Height	6-8m	8-10m	10-12m			
净重	Net Weight	5.46kg	6.6kg	7.74kg	6.6kg	7.74kg	8.9kg
毛重	Gross Weight	6.5kg	7.6kg	8.8kg	7.6kg	8.8kg	10.0kg
产品尺寸	Product Size	533x335x115mm	609x335x115mm	685x335x115mm	324x350x200mm	400x350x200mm	476x350x200mm
包装尺寸	Packing Size	560x360x120mm	640x360x120mm	710x360x120mm	345x370x160mm	420x370x160mm	498x370x160mm

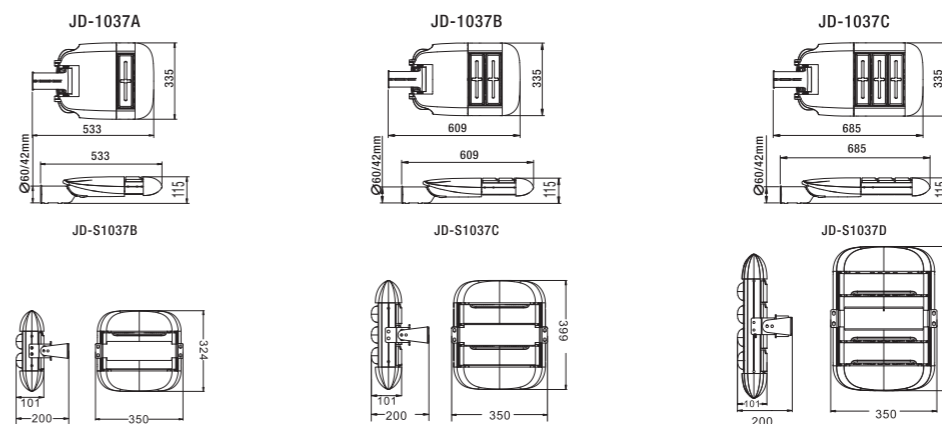
注:包装尺寸为外尺寸

本表所示技术参数均在环境温度为25°C,湿度35%的实验室环境中测得。

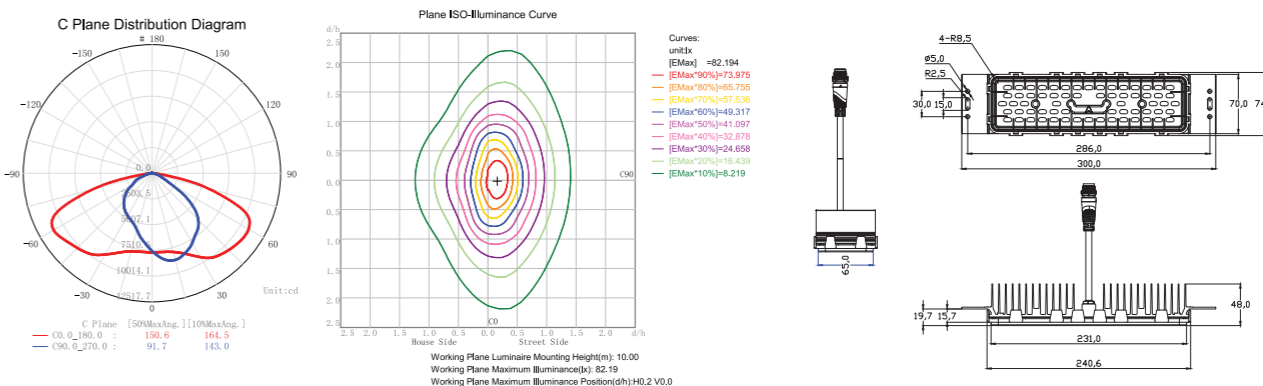
Packing size is outer size of box

All parameters are measured at 25°C ambient temperature, 35% humidity experimental environment.

产品尺寸 Product Dimension



配光曲线图 Light Distribution Curve



AC100-277V 输入电压 Input Voltage	Hz 50/60 频率范围 Frequency Range	PF >0.92 功率因数 Power Factor	<15% 总谐波失真 THD	CRI 75 显色指数 Color Rendering Index	-40~45°C 工作环境温度 Temperature of Working Condition	20~90% 工作环境湿度 Humidity of Working Condition	100000H (L70B50) 使用寿命 Life Time	IP66 防护等级 Protection Grade
-------------------------------------	--	-------------------------------------	----------------------	--	--	---	--	----------------------------------