



CE CB

金典照明
GOLDEN CLASSIC

技术参数 Specification

产品型号	Product Code	JD-1071A	JD-1071A-XX	JD-1071B	JD-1071B-XX	JD-1071C	JD-1071C-XX
LED数量	LED Quantity	40pcs 5050/160pcs 3030	40pcs 5050/160pcs 3030	72pcs 5050/288pcs 3030	72pcs 5050/288pcs 3030	98pcs 5050/392pcs 3030	98pcs 5050/392pcs 3030
额定功率	Rated Power	100W	100W	150W	150W	200W	200W
色温	Color Temperature	6500/4000/3000K	6500/4000/3000K	6500/4000/3000K	6500/4000/3000K	6500/4000/3000K	6500/4000/3000K
灯具光效	Luminous Flux	150LUM/W	100LUM/W	150LUM/W	100LUM/W	150LUM/W	100LUM/W
输入电压	Input Voltage	AC100-277V	AC100-277V	AC100-277V	AC100-277V	AC100-277V	AC100-277V
频率	Frequency Range	50/60Hz	50/60Hz	50/60Hz	50/60Hz	50/60Hz	50/60Hz
显色指数	CRI	Ra75	Ra75	Ra75	Ra75	Ra75	Ra75
工作环境温度	Humidity of working condition	-40°C~50°C	-40°C~50°C	-40°C~50°C	-40°C~50°C	-40°C~50°C	-40°C~50°C
工作环境湿度	Temperature of working condition	20%-90%	20%-90%	20%-90%	20%-90%	20%-90%	20%-90%
LED 寿命	LED life time	100000 (L70B50)	100000 (L70B50)	100000 (L70B50)	100000 (L70B50)	100000 (L70B50)	100000 (L70B50)
防护等级	Protection Grade	IP65	IP65	IP65	IP65	IP65	IP65
安装管径	Installation Pipe Dia	Φ48/Φ60mm	Φ48/Φ60mm	Φ48/Φ60mm	Φ48/Φ60mm	Φ48/Φ60mm	Φ48/Φ60mm
安装高度	Installation Height	4-8m	4-8m	8-11m	8-11m	11-12m	11-12m
净重	Net Weight	1.8kg	1.3kg	2.8kg	1.8kg	3.8kg	2.6kg
毛重	Gross Weight	2.2kg	1.7kg	3.3kg	2.3kg	4.2kg	3.1kg
产品尺寸	Product Size	464x217x156mm	464x217x81mm	546x234x156mm	545x234x81mm	597x267x163mm	597x267x81mm
包装尺寸	Packing Size	580x340x200mm	580x340x200mm	670x360x200mm	670x360x200mm	720x380x220mm	720x380x200mm

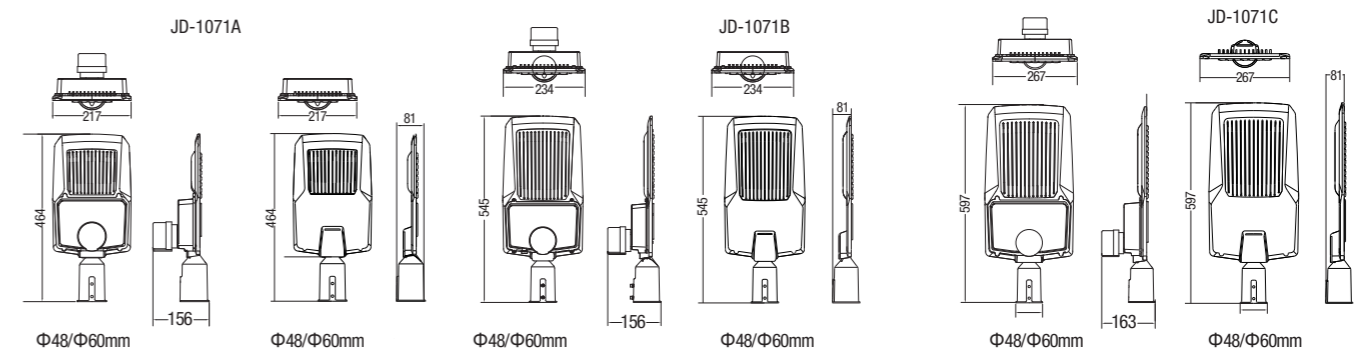
注:包装尺寸为外尺寸

本表所示技术参数均在环境温度为25°C,湿度35%的实验室环境中测得。

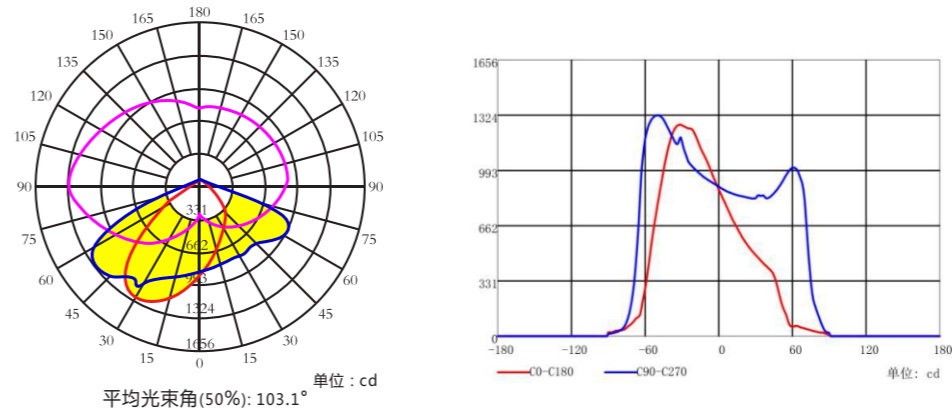
Packing size is outer size of box

All parameters are measured at 25°C ambient temperature, 35% humidity experimental environment.

产品尺寸 Product Dimension



配光曲线图 Light Distribution Curve



Dyna
JD-1071



No Driver



With Driver

Led Street light

LED/philips Lumileds 5050 or 3030
Driver:philips/Meanwell/Inventronics

- Aluminum die casting material,surface anti-aging electrostatic spray processing,super resistance to corrosion.
- PMMA len cover,no glass
- Input Voltage: AC100-277V, 50/60Hz, IP65, Ik08
- Windy area :115 cm²
- Stainless steel screws
- 5 years warranty

AC100-277V 输入电压 Input Voltage	Hz 50/60 频率范围 Frequency Range	PF >0.92 功率因数 Power Factor	<15% 总谐波失真 THD	CRI 75 显色指数 Color Rendering Index	-40~45°C 工作环境温度 Temperature of Working Condition	20~90% 工作环境湿度 Humidity of Working Condition	100000H (L70B50) 使用寿命 Life Time	IP66 防护等级 Protection Grade
-------------------------------------	--	-------------------------------------	----------------------	--	--	---	--	----------------------------------