



Wand

JD-1060



JD-1060P



Led Garden Light

Philips Lumileds 5050 or 3030 Led
Philips/Meanwell/Inventronics driver

- Used in high strength aluminum die casting material, surface anti-aging electrostatic spray processing, super resistance to corrosion.
- High transparent tempered glass cover, high strength impact resistance.
- Input Voltage: AC100-240V, 50/60Hz, IP66, IK09
- Different type lens for choice
- Windy area : 700 cm²
- Spare parts for choice 10 kv/20kv SPD
- 0-10v dimming driver
- auto switch
- 5 years warranty

CE CB

金典照明
GOLDEN CLASSIC

技术参数 Specification

产品型号	Product Code	JD-1060A/JD-1060A-P	JD-1060B/JD-1060B-P	JD-1060C/JD-1060C-P
LED数量	LED Quantity	24pcs 5050/72pcs 3030	48pcs 5050/144pcs 3030	64pcs 5050/192pcs 3030
额定功率	Rate Power	30W	60W	100W
色温	Color Temperature	6500/4000/3000K	6500/4000/3000K	6500/4000/3000K
灯具光效	Luminous Flux	140-150lm/w	140-150lm/w	140-150lm/w
输入电压	Input Voltage	AC100-277V	AC100-277V	AC100-277V
频率	Frequency Range	50/60Hz	50/60Hz	50/60Hz
显色指数	CRI	Ra75	Ra75	Ra75
工作环境温度	Temperature of working condition	-40°C-50°C	-40°C-50°C	-40°C-50°C
工作环境湿度	Humidity of working condition	20%-90%	20%-90%	20%-90%
LED 寿命	LED life time	70000h	70000h	70000h
防护等级	Protection Grade	IP66	IP66	IP66
安装高度	Installation Height	3-5m	5-8m	8-10m
净重	Net Weight	6.3kgs	6.5kgs	6.7kgs
毛重	Gross Weight	7.5kgs	7.7kgs	7.9kgs
产品尺寸	Product Size	670x470x110mm	670x470x110mm	670x470x110mm
包装尺寸	Packing Size	Light head:63.5X53.5X15cm,bracket:56*56*31CM,bracket:JD-1060 42PCS/CTN,JD-1061/1064 10PCS/CTN,JD-1062W 25PCS/CTN,JD-1063 18PCS/CTN		

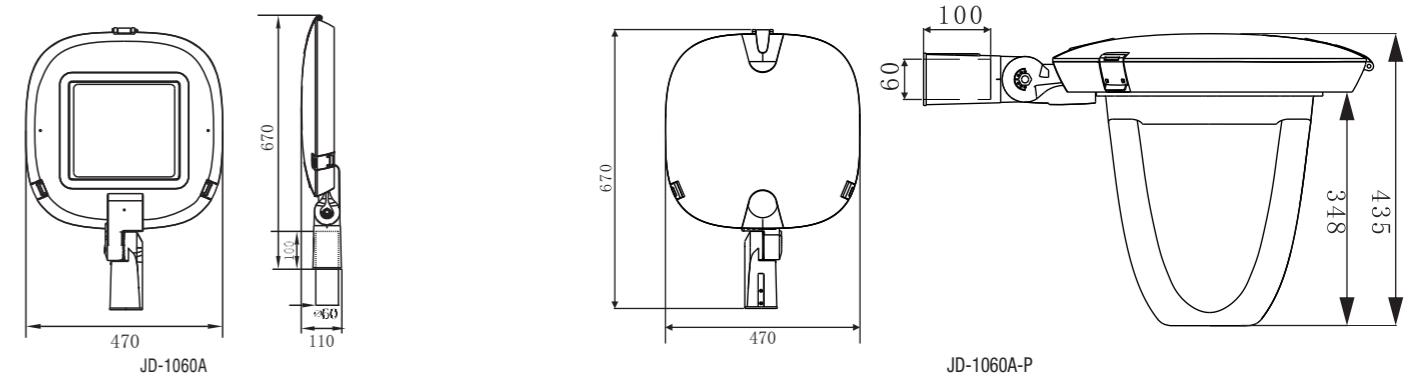
注:包装尺寸为外尺寸

本表所示技术参数均在环境温度为25°C,湿度35%的实验室环境中测得。

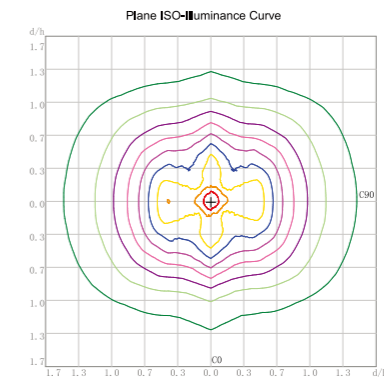
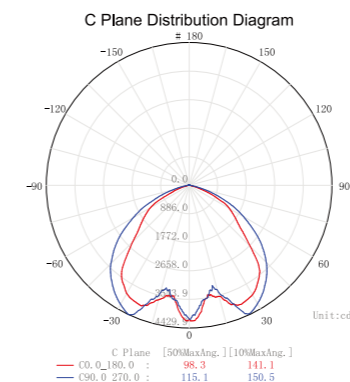
Packing size is outer size of box

All parameters are measured at 25°C ambient temperature, 35% humidity experimental environment.

产品尺寸 Product Dimension



配光曲线图 Light Distribution Curve



AC100-277V 输入电压 Input Voltage	50/60 频率范围 Frequency Range	PF >0.92 功率因数 Power Factor	<15% 总谐波失真 THD	CRI 75 显示指数 Color Rendering Index	-40~50°C 工作环境温度 Temperature of Working Condition	20~90% 工作环境湿度 Humidity of Working Condition	70000h 使用寿命 Life Time	IP66 防护等级 Protection Grade
-------------------------------------	----------------------------------	-------------------------------------	----------------------	--------------------------------------------	--------------------------------------------------------	---------------------------------------------------	-----------------------------	----------------------------------



CE CB

金典照明
GOLDEN CLASSIC

Wand

JD-1061



JD-1061-4A Led Garden Light



Philips Lumileds 5050 or 3030 Led
Philips/Meanwell/Inventronics driver

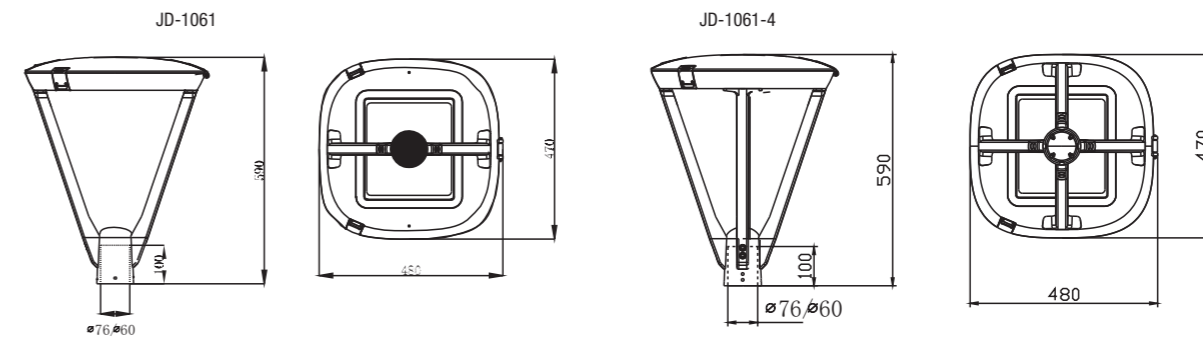
- Used in high strength aluminum die casting material, surface anti-aging electrostatic spray processing, super resistance to corrosion.
- High transparent tempered glass cover, high strength impact resistance.
- Input Voltage: AC100-240V, 50/60Hz, IP66, IK09
- Different type lens for choice
- Windy area : JD-1060 600 cm², JD-1061 815 cm²
- Spare parts for choice
 - 10 kv/20kv SPD
 - 0-10v dimming driver
 - auto switch
- 5 years warranty

Specification

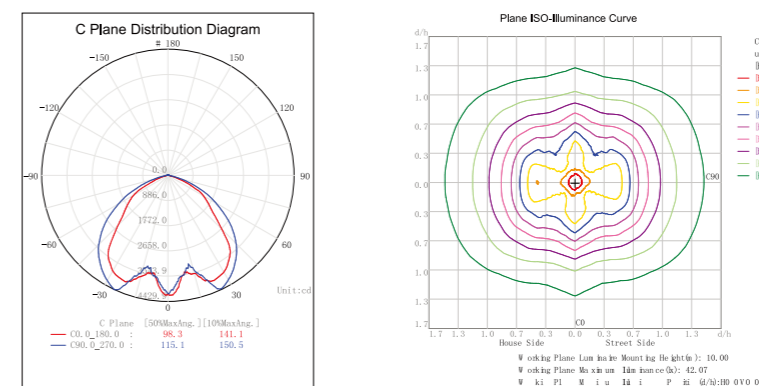
产品型号	Product Code	JD-1061A/JD-1061-4A	JD-1061B/JD-1061-4B	JD-1061C/JD-1061-4C
LED数量	LED Quantity	24pcs 5050/72pcs 3030	48pcs 5050/144pcs 3030	64pcs 5050/192pcs 3030
额定功率	Rate Power	30W	60W	100W
色温	Color Temperature	6500/4000/3000K	6500/4000/3000K	6500/4000/3000K
灯具光效	Luminous Flux	150lm/w/ 140lm/w(5050) 140lm/w 130lm/w(3030)	150lm/w/ 140lm/w(5050) 140lm/w 130lm/w(3030)	150lm/w/ 140lm/w(5050) 140lm/w 130lm/w(3030)
输入电压	Input Voltage	AC100-277V	AC100-277V	AC100-277V
频率	Frequency Range	50/60Hz	50/60Hz	50/60Hz
显色指数	CRI	Ra75	Ra75	Ra75
工作环境温度	Temperature of working condition	-40°C-50°C	-40°C-50°C	-40°C-50°C
工作环境湿度	Humidity of working condition	20%-90%	20%-90%	20%-90%
LED 寿命	LED life time	70000h	70000h	70000h
防护等级	Protection Grade	IP66	IP66	IP66
安装高度	Installation Height	3-5m	5-8m	8-10m
净重	Net Weight	6.3kg/7.9kg	6.5kg/8.46kg	6.7kg/8.5kg
毛重	Gross Weight	7.5kg/9.1kg	7.7kg/9.66kg	7.9kg/10.5kg
产品尺寸	Product Size	590x480x470mm	590x480x470mm	590x480x470mm
包装尺寸	Packing Size	Light head:63.5X53.5X15cm,bracket:56*56*31CM,bracket:JD-1060 42PCS/CTN,JD-1061/1064 10PCS/CTN,JD-1062W 25PCS/CTN,JD-1063 18PCS/CTN		

Packing size is outer size of box
All parameters are measured at 25°C ambient temperature, 35% humidity experimental environment.

产品尺寸 Product Dimension



Light Distribution Curve



AC100-240V Input Voltage	Hz 50/60 Frequency Range	PF >0.92 Power Factor	<15% THD	CRI 75 Color Rendering Index	-40-45°C Temperature of Working Condition	20-90% Humidity of Working Condition	70000h Life Time	IP66 Protection Grade
-----------------------------	--------------------------------	-----------------------------	-------------	------------------------------------	----------------------------------------------	-----------------------------------------	---------------------	--------------------------



CE CB

金典照明 GOLDEN CLASSIC

技术参数 Specification

产品型号	Product Code	JD-1062A/JD-1062A-P/JD-1062W/JD-1062W-P	JD-1062A/JD-1062A-P/JD-1062W/JD-1062W-P	JD-1062A/JD-1062A-P/JD-1062W/JD-1062W-P
LED数量	LED Quantity	24pcs 5050/72pcs 3030	48pcs 5050/144pcs 3030	64pcs 5050/192pcs 3030
额定功率	Rate Power	30W	60W	100W
色温	Color Temperature	6500/4000/3000K	6500/4000/3000K	6500/4000/3000K
灯具光效	Luminous Flux	140-150lm/w	140-150lm/w	140-150lm/w
输入电压	Input Voltage	AC100-277V	AC100-277V	AC100-277V
频率	Frequency Range	50/60Hz	50/60Hz	50/60Hz
显色指数	CRI	Ra75	Ra75	Ra75
工作环境温度	Temperature of working condition	-40°C-50°C	-40°C-50°C	-40°C-50°C
工作环境湿度	Humidity of working condition	20%-90%	20%-90%	20%-90%
LED 寿命	LED life time	70000h	70000h	70000h
防护等级	Protection Grade	IP66	IP66	IP66
安装高度	Installation Height	3-5m	5-8m	8-10m
净重	Net Weight	6.3kgs	6.5kgs	6.7kgs
毛重	Gross Weight	7.5kgs	7.7kgs	7.9kgs
产品尺寸	Product Size	480x470x293mm/480x470x190mm	480x470x293mm/480x470x190mm	480x470x293mm/480x470x190mm
包装尺寸	Packing Size	Light head:63.5X53.5X15cm,bracket:56*56*31 CM,bracket:JD-1060 42PCS/CTN,JD-1061/1064 10PCS/CTN,JD-1062W 25PCS/CTN,JD-1063 18PCS/CTN		

Wand

JD-1062



JD-1062A-P



JD-1062W-P



JD-1062-W



Led Garden Light
Philips Lumileds 5050 or 3030 Led
Philips/Meanwell/Inventronics driver

- Used in high strength aluminum die casting material,surface anti-aging electrostatic spray processing,super resistance to corrosion.
- High transparent tempered glass cover, high strength impact resistance.
- Input Voltage:AC100-240V, 50/60Hz,IP66,IK09
- Different type lens for choice
- Windy area : 700 cm2
- Spare parts for choice 10 kv/20kv SPD
- 0-10v dimming driver
- auto switch
- 5 years warranty

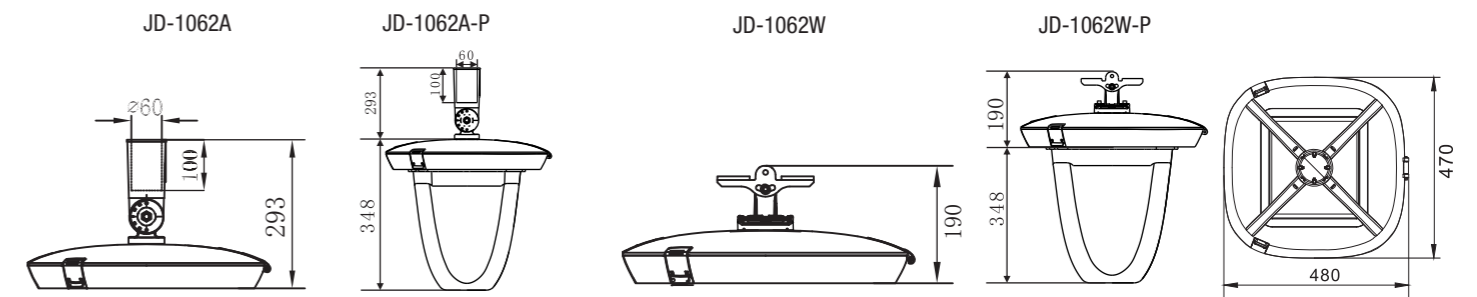
注:包装尺寸为外尺寸

本表所示技术参数均在环境温度为25°C,湿度35%的实验室环境中测得。

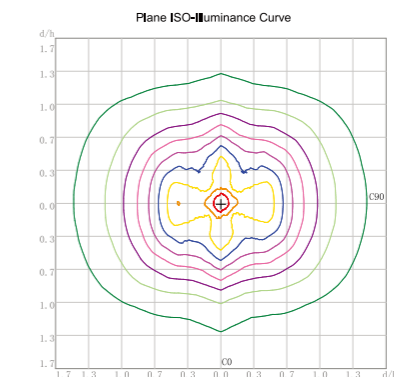
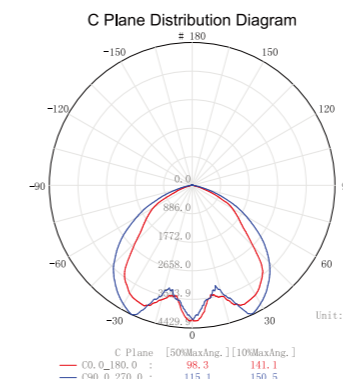
Packing size is outer size of box

All parameters are measured at 25°C ambient temperature, 35% humidity experimental environment.

产品尺寸 Product Dimension



配光曲线图 Light Distribution Curve



AC100-277V 输入电压 Input Voltage	50/60 Hz 频率范围 Frequency Range	>0.92 PF 功率因数 Power Factor	<15% 总谐波失真 THD	CRI 75 显示指数 Color Rendering Index	-40~50°C 工作环境温度 Temperature of Working Condition	20~90% 工作环境湿度 Humidity of Working Condition	70000h 使用寿命 Life Time	IP66 防护等级 Protection Grade
-------------------------------------	----------------------------------------	-------------------------------------	----------------------	--------------------------------------------	--------------------------------------------------------	---------------------------------------------------	-----------------------------	----------------------------------



CE CB

金典照明 GOLDEN CLASSIC

技术参数 Specification

产品型号	Product Code	JD-1063A-30W	JD-1063B-60W	JD-1063C-100W
LED数量	LED Quantity	24pcs 5050/72pcs 3030	48pcs 5050/144pcs 3030	64pcs 5050/192pcs 3030
额定功率	Rate Power	30W	60W	100W
色温	Color Temperature	6500/4000/3000K	6500/4000/3000K	6500/4000/3000K
灯具光效	Luminous Flux	140lm/w(5050) 130lm/w(3030)	140lm/w(5050) 130lm/w(3030)	140lm/w(5050) 130lm/w(3030)
输入电压	Input Voltage	AC100-277V	AC100-277V	AC100-277V
频率	Frequency Range	50/60Hz	50/60Hz	50/60Hz
显色指数	CRI	Ra75	Ra75	Ra75
工作环境温度	Temperature of working condition	-40°C-50°C	-40°C-50°C	-40°C-50°C
工作环境湿度	Humidity of working condition	20%-90%	20%-90%	20%-90%
LED 寿命	LED life time	70000h	70000h	70000h
防护等级	Protection Grade	IP66	IP66	IP66
安装高度	Installation Height	3-5m	5-8m	8-10m
净重	Net Weight	7.9kg	8.46kg	8.5kg
毛重	Gross Weight	9.1kg	9.66kg	10.5kg
产品尺寸	Product Size	550x480x470mm	550x480x470mm	550x480x470mm
包装尺寸	Packing Size	light head:63.5X53.5X15cm,bracket:56*56*31CM,bracket:JD-1060 42PCS/CTN,JD-1061/1064 10PCS/CTN,JD-1062W 25PCS/CTN,JD-1063 18PCS/CTN		

Wand

JD-1063



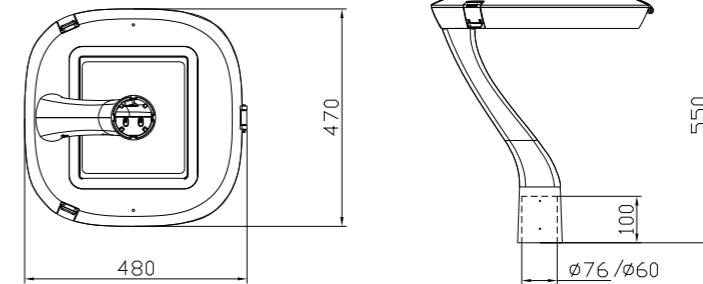
注:包装尺寸为外尺寸

本表所示技术参数均在环境温度为25°C,湿度35%的实验室环境中测得。

Packing size is outer size of box

All parameters are measured at 25°C ambient temperature, 35% humidity experimental environment.

产品尺寸 Product Dimension



Led Garden Light

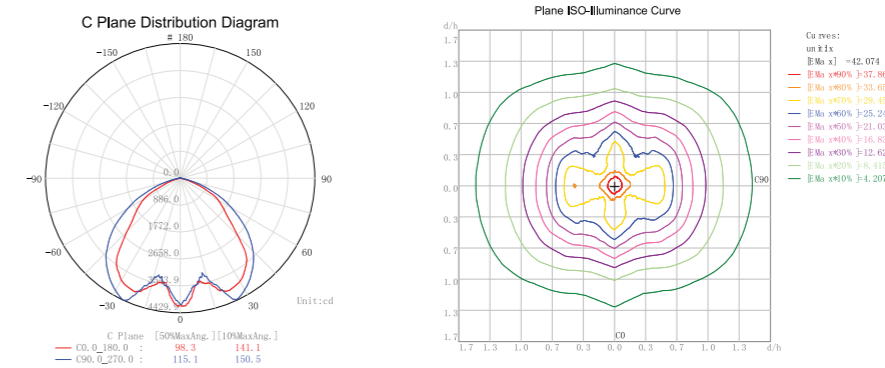
Philips Lumileds 5050 or 3030 Led
Philips/Meanwell/Inventronics driver

- Used in high strength aluminum die casting material, surface anti-aging electrostatic Spray Processing, super resistance to corrosion.
- High transparent tempered glass cover, high strength impact resistance.

Input voltage: AC100-240V, 50/60Hz, IP66, IK09

- Different Type lens for choice
- Windy area: 815cm²
- Spare parts for choice
 - 10 kv/20kv SPD
 - 0-10V dimming driver
 - auto switch
- 5 year warranty

配光曲线图 Light Distribution Curve



AC100-240V 输入电压 Input Voltage	Hz 50/60 频率范围 Frequency Range	PF >0.92 功率因数 Power Factor	<15% 总谐波失真 THD	CRI 75 显色指数 Color Rendering Index	-40-45°C 工作环境温度 Temperature of Working Condition	20-90% 工作环境湿度 Humidity of Working Condition	70000h 使用寿命 Life Time	IP66 防护等级 Protection Grade
-------------------------------------	----------------------------------------	-------------------------------------	----------------------	--------------------------------------------	--------------------------------------------------------	---------------------------------------------------	-----------------------------	----------------------------------



CE CB

金典照明 GOLDEN CLASSIC

技术参数 Specification

产品型号	Product Code	JD-1064A/JD-1064P-A 30W	JD-1064B/ JD-1064P-B 60W	JD-1064C/JD-1064P-C 100W
LED数量	LED Quantity	24pcs 5050/72pcs 3030	48pcs5050/144pcs3030	64pcs 5050/192pcs 3030
额定功率	Rate Power	30W	60W	100W
色温	Color Temperature	6500/4000/3000K	6500/4000/3000K	6500/4000/3000K
灯具光效	Luminous Flux	140lm/w(5050) 130lm/w(3030)	140lm/w(5050) 130lm/w(3030)	140lm/w(5050) 130lm/w(3030)
输入电压	Input Voltage	AC100-277V	AC100-277V	AC100-277V
频率	Frequency Range	50/60Hz	50/60Hz	50/60Hz
显色指数	CRI	Ra75	Ra75	Ra75
工作环境温度	Temperature of working condition	-40°C-50°C	-40°C-50°C	-40°C-50°C
工作环境湿度	Humidity of working condition	20%-90%	20%-90%	20%-90%
LED 寿命	LED life time	70000h	70000h	70000h
防护等级	Protection Grade	IP66	IP66	IP66
安装高度	Installation Height	3-5m	5-8m	8-10m
净重	Net Weight	6.3kg/7.9kg	6.5kg/8.46kg	6.7kg/8.5kg
毛重	Gross Weight	7.5kg/9.1kg	7.7kg/9.66kg	7.9kg/10.5kg
产品尺寸	Product Size	590x480x470mm	590x480x470mm	590x480x470mm
包装尺寸	Packing Size	Light head:63.5X53.5X15cm,bracket:56x56x31CM,bracket:JD-1060 42PCS/CTN,JD-1061/1064 10PCS/CTN,JD-1062W 25PCS/CTN,JD-1063 18PCS/CTN		

Wand

JD-1064



JD-1064P with pc diffuser



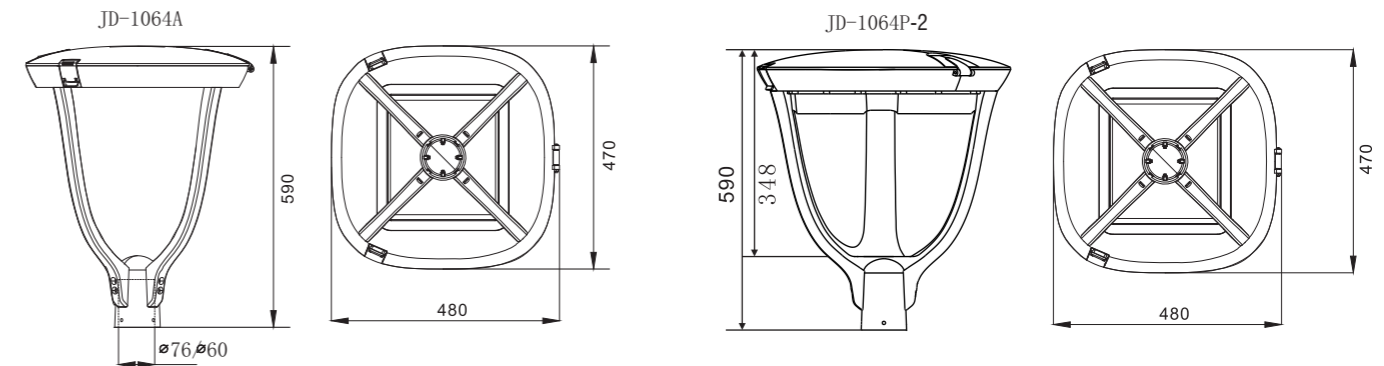
注:包装尺寸为外尺寸

本表所示技术参数均在环境温度为25°C,湿度35%的实验室环境中测得。

Packing size is outer size of box

All parameters are measured at 25°C ambient temperature, 35% humidity experimental environment.

产品尺寸 Product Dimension



Led Garden Light

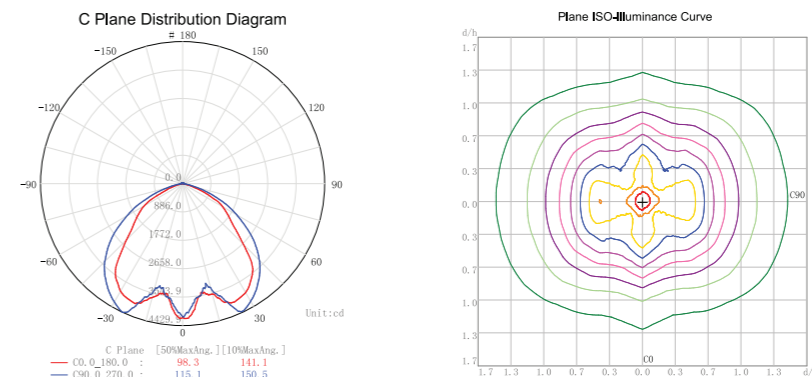
Philips Lumileds 5050 or 3030 Led
Philips/ Meanwell/Inventronics driver

- Used in high strength aluminum die casting material,surface anti-aging electrostatic spray processing,super resistance to corrosion.
- High transparent tempered glass cover,high strength impact resistance.
- Input Voltage:AC100-240V,50/60Hz,IP66,Ik09
- High transparent PC diffuser,high strength impact resistance.
- Different type lens for choice.
- Spare parts for choice
10 kv/20kv SPD
0-10v dimming driver
auto switch
- 5 years warranty

JD-1064P-2 with pc diffuser



配光曲线图 Light Distribution Curve



AC100-240V 输入电压 Input Voltage	50/60 频率范围 Frequency Range	PF >0.92 功率因数 Power Factor	<15% 总谐波失真 THD	CRI 75 显色指数 Color Rendering Index	-40~45°C 工作环境温度 Temperature of Working Condition	20~90% 工作环境湿度 Humidity of Working Condition	70000h 使用寿命 Life Time	IP66 防护等级 Protection Grade
-------------------------------------	----------------------------------	-------------------------------------	----------------------	--------------------------------------------	--------------------------------------------------------	---------------------------------------------------	-----------------------------	----------------------------------