

LED Garden Light

Sherry

JD-G034



CREE XTE or Lumileds 3030/5050 Led
Philips/Meanwell/Inventronics driver

- Main material used in high strength aluminum die casting material, surface anti-aging electrostatic spray Processing, super resistance to corrosion.
- PC diffuser, high strength impact resistance.
- Input voltage: AC100-277V, 50/60Hz;
- 5-year warranty;
- IP66, IK08;

技术参数 Specification

产品型号	Product Code	JD-G034	JD-G034
LED数量	LED Quantity	16pcs XTE	32pcs XTE
额定功率	Rate Power	30W	55W
色温	Color Temperature	6500/4000/3000K	6500/4000/3000K
灯具光效	Luminous Flux	130lm/w 3030	130lm/w 3030
输入电压	Input Voltage	AC100-277V	AC100-277V
频率	Frequency Range	50/60Hz	50/60Hz
显色指数	Color Temperature	Ra75	Ra75
工作环境温度	Temperature of working condition	-40°C~50°C	-40°C~50°C
工作环境湿度	Humidity of working condition	20%-90%	20%-90%
LED 寿命	LED life time	100000H (L70B50)	100000H (L70B50)
防护等级	Protection Grade	IP66	IP66
安装管径	Installation Pipe Dia	Φ 60mm	Φ 60mm
安装高度	Installation Height	3-5m	5-7m
净重	Net Weight	4.3kg	4.5kg
毛重	Gross Weight	5.6kg	5.8kg
产品尺寸	Product Size	359x359x486mm	359x359x486mm
包装尺寸	Packing Size	367x367x505mm	367x367x505mm

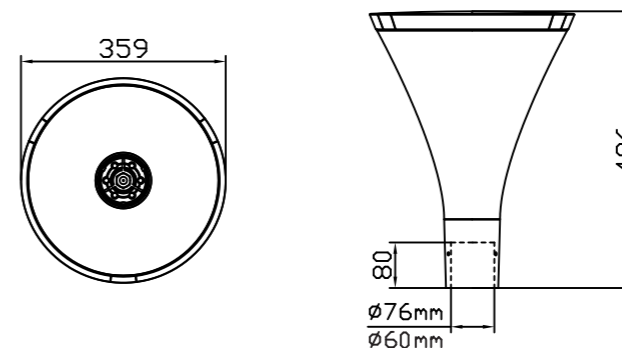
注:包装尺寸为外尺寸

本表所示技术参数均在环境温度为25°C,湿度35%的实验室环境中测得。

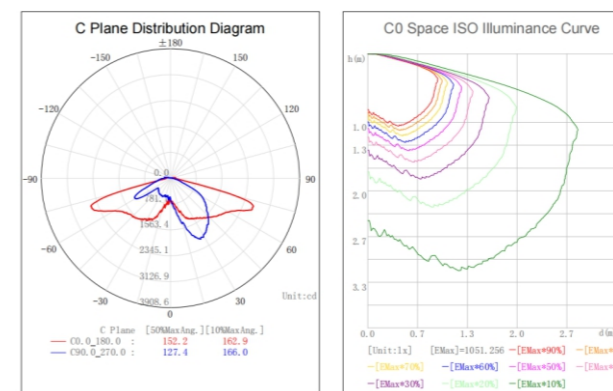
Packing size is outer size of box

All parameters are measured at 25°C ambient temperature, 35% humidity experimental environment.

产品尺寸 Product Dimension



配光曲线图 Light Distribution Curve



AC100-277V 输入电压 Input Voltage	Hz 50/60 频率范围 Frequency Range	PF >0.92 功率因数 Power Factor	<15% 总谐波失真 THD	CRI 75 显示指数 Color Rendering Index	-40~45°C 工作环境温度 Temperature of Working Condition	20~90% 工作环境湿度 Humidity of Working Condition	100000H (L70B50) 使用寿命 Life Time	IP66 防护等级 Protection Grade
-------------------------------------	--	-------------------------------------	----------------------	--	--	---	--	----------------------------------