

Mars

JD-1051A



LG or Samsung led modules

Mars

JD-1051B



Led Street light

Philips Lumileds 5050 or 3030 Led
two options+Inventronics driver

- Modern fashion design of appearance, made the light become an artwork, Integrated with the environment perfectly, made it as top project.
- Aluminum die casting material, surface anti-aging electrostatic
- spray processing, super resistance to corrosion. Len cover, high strength impact resistance.
- Input Voltage: AC100-277V, 50/60Hz, IP66, Ik08
- Horizontal installation: +10°~ -10° Vertical installation: +10°~ -10° adjustable
- Windy area : 375 cm²
- Spare parts for choice
- 10 kv/20kv SPD
- 0-10v dimming driver
- auto switch
- Nema socket
- 5 years warranty



CE CB

金典照明
GOLDEN CLASSIC

技术参数 Specification

产品型号	Product Code	JD-1051A	JD-1051B	JD-1051B
LED数量	LED Quantity	Samsung/LG/Cree/Philip	16pcs 5050/48pcs 3030	24pcs 5050/72pcs 3030
额定功率	Rate Power	50W	30W	60W
色温	Color Temperature	6500/4000/3000K	6500/4000/3000K	6500/4000/3000K
灯珠光效	Luminous Flux	130lm/W	150lm/w(5050) 140lm/w(3030)	130lm/w(5050) 120lm/w(3030)
输入电压	Input Voltage	AC100-277V	AC100-277V	AC100-277V
频率	Frequency Range	50/60Hz	50/60Hz	50/60Hz
显色指数	CRI	RA75	RA75	RA75
工作环境温度	Temperature of working condition	-40°C~50°C	-40°C~50°C	-40°C~50°C
工作环境湿度	Humidity of working condition	20%-90%	20%-90%	20%-90%
LED 寿命	LED life time	100000H (L70B50)	100000H (L70B50)	100000H (L70B50)
防护等级	Protection Grade	IP66	IP66	IP66
安装管径	Installation Pipe Dia	Φ60mm/Φ42mm	Φ60mm/Φ42mm	Φ60mm/Φ42mm
安装高度	Installation Height	5-6m	3-5m	5-8m
净重	Net Weight	3kg	4kg	4.2kg
毛重	Gross Weight	4kg	4.8kg	5kg
产品尺寸	Product Size	560x245x110mm	560x245x110mm	560x245x110mm
包装尺寸	Packing Size	625x280x175mm	625x285x175mm	625x285x175mm

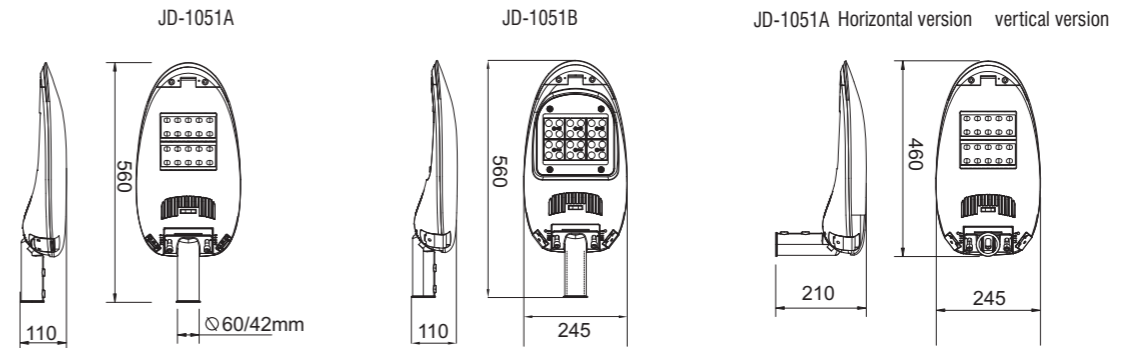
注:包装尺寸为外尺寸

本表所示技术参数均在环境温度为25°C,湿度35%的实验室环境中测得。

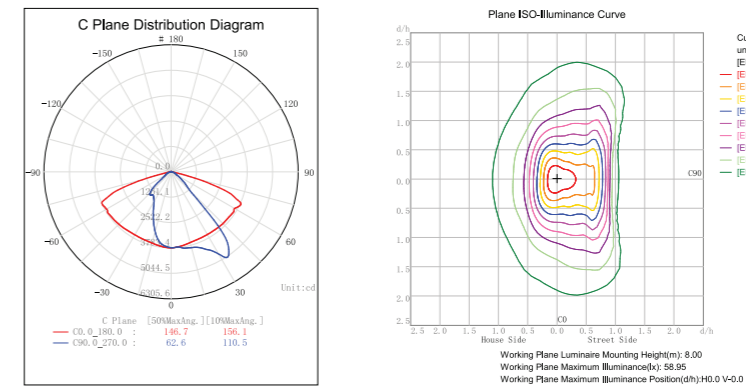
Packing size is outer size of box

All parameters are measured at 25°C ambient temperature, 35% humidity experimental environment.

产品尺寸 Product Dimension



配光曲线图 Light Distribution Curve



AC100-277V 输入电压 Input Voltage	Hz 50/60 频率范围 Frequency Range	PF >0.92 功率因数 Power Factor	<15% 总谐波失真 THD	CRI 75 显示指数 Color Rendering Index	-40~45°C 工作环境温度 Temperature of Working Condition	20~90% 工作环境湿度 Humidity of Working Condition	100000H (L70B50) 使用寿命 Life Time	IP66 防护等级 Protection Grade
-------------------------------------	--	-------------------------------------	----------------------	--	--	---	--	----------------------------------