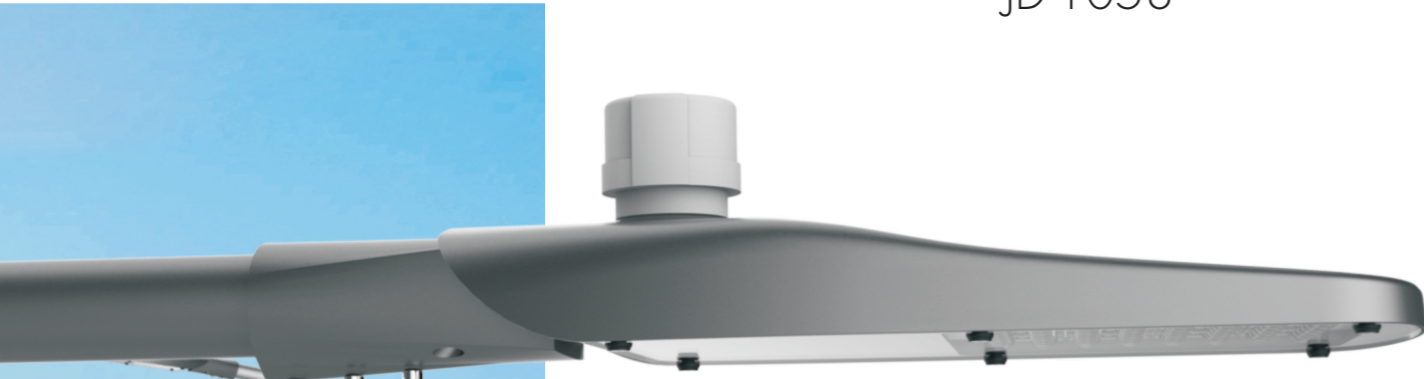


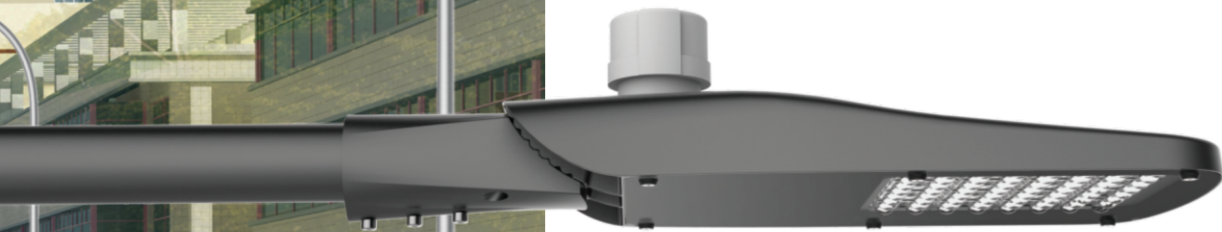
# LED Street Light

# Vessel

JD-1058



Medium size



Small size

LED/Philips Lumileds 5050 or 3030  
Driver:philips/Meanwell/Inventronics

- High strength aluminum die casting material,surface anti-aging electrostatic spray processing,super resistance to corrosion.
- Glass cover, high strength impact resistance.
- InputVoltage:AC100-277V,50/60Hz,IP66,Ik08
- Horizontal installation :+10~ -10° adjustable
- Vertical installation :+10~ -10° adjustable
- Different types lens for choice
- Bracket:60mm
- Insulation classII two options
- Spare parts for choice
- 10 kv/20kv SPD
- 0-10v dimming driver
- Nema socket

CE CB

金典照明  
GOLDEN CLASSIC

### 技术参数 Specification

产品型号	Product Code	JD-1058A	JD-1058B	JD-1058C	JD-1058D	JD-1058E	JD-1058F
额定功率	Rate Power	30W	40W	50-100W	60W	70W	100-150W
LED数量	LED Quantity	16/24pcs 5050	24/36pcs 5050	36/54pcs 5050	40/60pcs 5050	48/72pcs 5050	64/96pcs 5050
色温	Color Temperature	6500/4000/3000K			6500/4000/3000K		
灯具光效	Luminous Flux	130-150LUM/W	135-155LUM/W	130-155LUM/W	145-165LUM/W	145-165LUM/W	140-165LUM/W
输入电压	Input Voltage	AC100-277V		AC100-277V			
频率	Frequency Range	50/60Hz			50/60Hz		
显色指数	CRI	RA75			RA75		
工作环境温度	Temperature of working condition	-40℃~50℃			-40℃~50℃		
工作环境湿度	Humidity of working condition	20%-90%			20%-90%		
LED 寿命	LED life time	100000H (L70B50)			100000H (L70B50)		
防护等级	Protection Grade	IP66			IP66		
安装管径	Installation Pipe Dia	Φ60mm			Φ60mm		
安装高度	Installation Height	4-5m	4-6m		6-8m		8-10m
净重	Net Weight	4.0kg	4.5kg	5kg	5kg	5kg	6kg
毛重	Gross Weight	5.0kg	5.5kg	6kg	6kg	6kg	7kg
产品尺寸	Product Size	580x246x90mm			656x290x90mm		
包装尺寸	Packing Size	600x270x120mm			680x310x120mm		

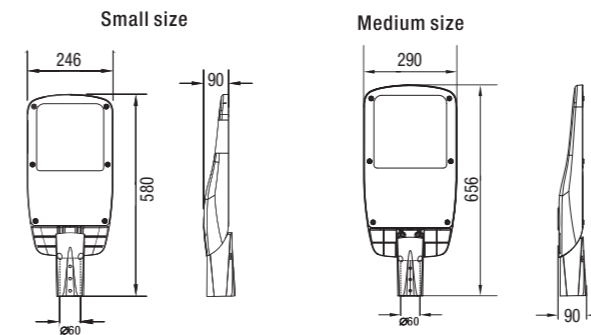
注:包装尺寸为外尺寸

本表所示技术参数均在环境温度为25℃,湿度35%的实验室环境中测得。

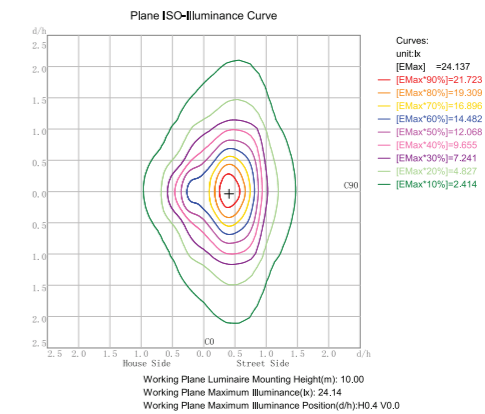
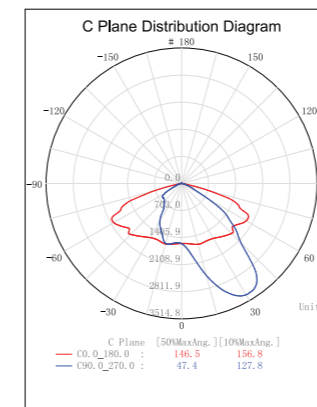
Packing size is outer size of box

All parameters are measured at 25℃ ambient temperature, 35% humidity experimental environment.

### 产品尺寸 Product Dimension



### 配光曲线图 Light Distribution Curve



AC100-277V 输入电压 Input Voltage	Hz 50/60 频率范围 Frequency Range	PF >0.92 功率因数 Power Factor	<15% 总谐波失真 THD	CRI 75 显色指数 Color Rendering Index	-40~45℃ 工作环境温度 Temperature of Working Condition	20~90% 工作环境湿度 Humidity of Working Condition	100000H (L70B50) 使用寿命 Life Time	IP66 防护等级 Protection Grade
-------------------------------------	--	-------------------------------------	----------------------	--	---	---	--	----------------------------------