



# Iris

JD-1065

Led Street light  
LED/philips Lumileds 5050 or 3030  
Driver:philips/Meanwell/Inventronics

- High transparent tempered glass  
Input Voltage: AC100-277V, 50/60Hz, IP66, Ik09
- Horizontal installation: +15°~ -15° adjustable
- Vertical installation: +15°~ -15° adjustable
- Windy area: small size:831 cm<sup>2</sup>  
medium size:488 cm<sup>2</sup>  
big size:831 cm<sup>2</sup>
- Spare parts for choice  
10 kv/20kv SPD  
0-10v dimming driver  
auto switch  
Nema socket  
• 5 years warranty



CE CB

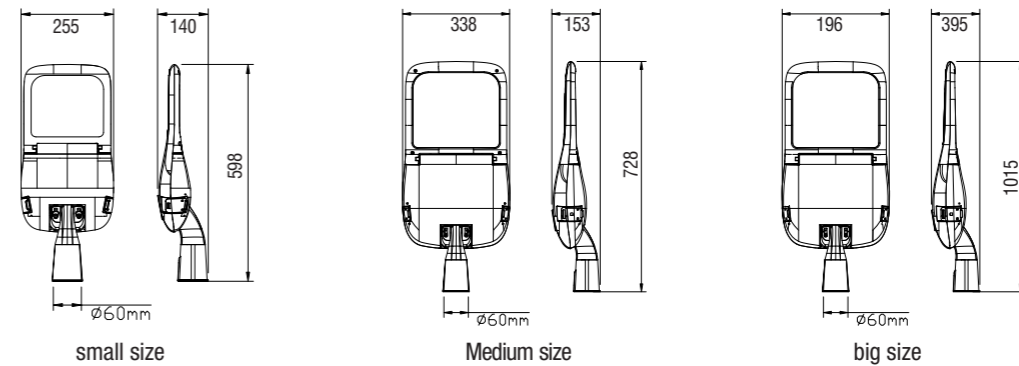
**金典照明**  
GOLDEN CLASSIC

技术参数 Specification

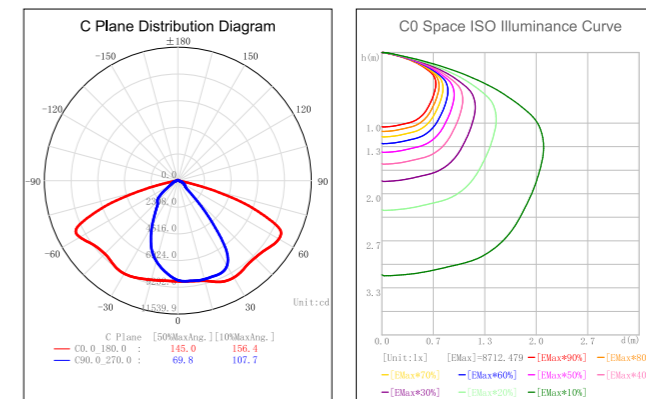
产品型号	Product Code	JD-1065A	JD-1065B	JD-1065C	JD-1065D	JD-1065E	JD-1065F	JD-1065G	JD-1065H	JD-1065I	JD-1065J	JD-1065K
LED数量	LED Quantity	24pcs 5050	36pcs 5050	54pcs 5050	54pcs 5050	72pcs 5050	96pcs 5050	96pcs 5050	120pcs 5050	150pcs 5050	180pcs 5050	204pcs 5050
额定功率	Rated Power	30W	40W	50W	60W/70W/80W/100W	70W	100W	120W/150W	150W	200W	240W	300W
色温	Color Temperature	6500/4000/3000K			6500/4000/3000K			6500/4000/3000K				
初始光通量	Luminous Flux	140-150LUMW	140-150LUMW	140-150LUMW	130-145LUMW	150-160LUMW	155-165LUMW	140-160LUMW	160LUMW	160LUMW	160LUMW	160LUMW
输入电压	Input Voltage	AC100-277V			AC100-277V			AC100-277V				
频率	Frequency Range	50/60Hz			50/60Hz			50/60Hz				
显色指数	CRI	Ra75			Ra75			Ra75				
工作环境温度	Temperature of working condition	-40°C~50°C			-40°C~50°C			-40°C~50°C				
工作环境湿度	Humidity of working condition	20%-90%			20%-90%			20%-90%				
LED 寿命	LED life time	100000H (L70B50)			100000H (L70B50)			100000H (L70B50)				
防护等级	Protection Grade	IP66			IP66			IP66				
安装管径	Installation Pipe Dia	Φ48/Φ60mm			Φ48/Φ60mm			Φ60/Φ76mm				
安装高度	Installation Height	3-4m	4-5m	5-6m	6-10m	6-8m	8-10m	10-12m	10-12m	10-12m	10-15m	10-15m
净重	Net Weight	4.3kg	4.4kg	4.5kg	4.5kg	7kg	7.2kg	7.4kg	13kg	13.5kg	13.5kg	14kg
毛重	Gross Weight	5.3kg	5.4kg	5.5kg	5.5kg	8kg	8.2kg	8.4kg	14kg	14.5kg	14.5kg	15kg
产品尺寸	Product Size	598x255x140mm			728x338x153mm			1015x395x196mm				
包装尺寸	Packing Size	655x295x190mm			780x385x188mm			1078x437x238mm				

注:包装尺寸为外尺寸  
本表所示技术参数均在环境温度为25°C,湿度35%的实验室环境中测得。  
Packing size is outer size of box  
All parameters are measured at 25°C ambient temperature, 35% humidity experimental environment.

产品尺寸 Product Dimension



配光曲线图 Light Distribution Curve



AC100-277V 输入电压 Input Voltage	Hz 50/60 频率范围 Frequency Range	PF >0.92 功率因数 Power Factor	<15% 总谐波失真 THD	CRI 75 显色指数 Color Rendering Index	-40~45°C 工作环境温度 Temperature of Working Condition	20~90% 工作环境湿度 Humidity of Working Condition	100000H (L70B50) 使用寿命 Life Time	IP66 防护等级 Protection Grade
-------------------------------------	--	-------------------------------------	----------------------	--	--	---	--	----------------------------------