



# Polarization Maintaining RC Fiber Isolator (GK-PMRCI Series)

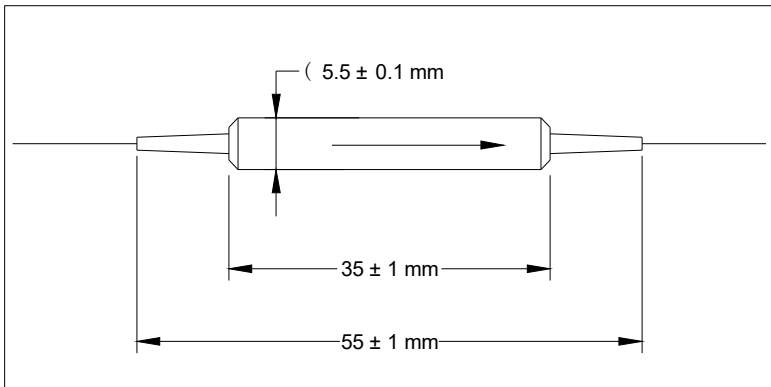
## ● Description

The Polarization Maintaining RC Fiber Isolator is designed and manufactured to Telcordia standard. The unique manufacturing process and optical path epoxy-free design enhance the device high power handling capability. The device is characterized with high performance, high reliability and low cost. It has been widely used in EDFAs, DWDM systems, sensors, compact optical circuits and other fiber optic communication equipments to suppress back reflection and back scattering.

## ● Specifications

Parameter	Unit	Single Stage Dual Stage			
		Grade P	Grade A	Grade P	Grade A
Center Wavelength ( $\lambda_c$ )	nm	1550			
Min. Extinction Ratio	dB	20	18	20	18
Typ. Peak Isolation	dB	42	40	58	52
Min. Isolation, $\lambda_c \pm 10$ nm, 23 °C, all polarization states	dB	30	28	46	45
Typ. Insertion Loss, $\lambda_c \pm 20$ nm, 23 °C, all polarization states	dB	0.4	0.5	0.55	0.7
Max. Insertion Loss, $\lambda_c \pm 20$ nm, all temperature, all polarization states	dB	0.6	0.65	0.75	0.9
Min. Return Loss (Input/Output)	dB	55/55	55/55	55/55	55/55
Max. Optical Power (Continuous Wave)	mW	300			
Max. Tensile Load	N	5			
Fiber Type	-	RC PM Panda Fiber (MFD 9.5 $\mu$ m)			
Operating Temperature	°C	- 5 to + 70			
Storage Temperature	°C	- 40 to + 85			

## ● Package Dimensions



## ● Ordering Information

GK-PMRCI-①-②-③-④-⑤-⑥-⑦

### ①: Stage

- 1 - Single Stage
- 2 - Dual Stage

### ②: Wavelength

- 55 - 1550 nm
- SS - Specify

### ③: Grade

- P - Premium
- A - A Grade

### ④: Connector Type

- N - None

### ⑤: Fiber Jacket

- B - 170  $\mu$ m Bare Fiber
- L - 900  $\mu$ m Loose Tube
- S - Specify

### ⑥: Fiber Length

- Q - 0.75 m
- S - Specify

### ⑦: Working Axis

- F - Fast Axis Blocked
- B - Both Axis Working