



Light Up Your Patrol



LIGHTING GUARD TOUR SOLUTION
PROFESSIONAL MANUFACTURER SINCE 2006

WWW.ZOOPATROL.COM



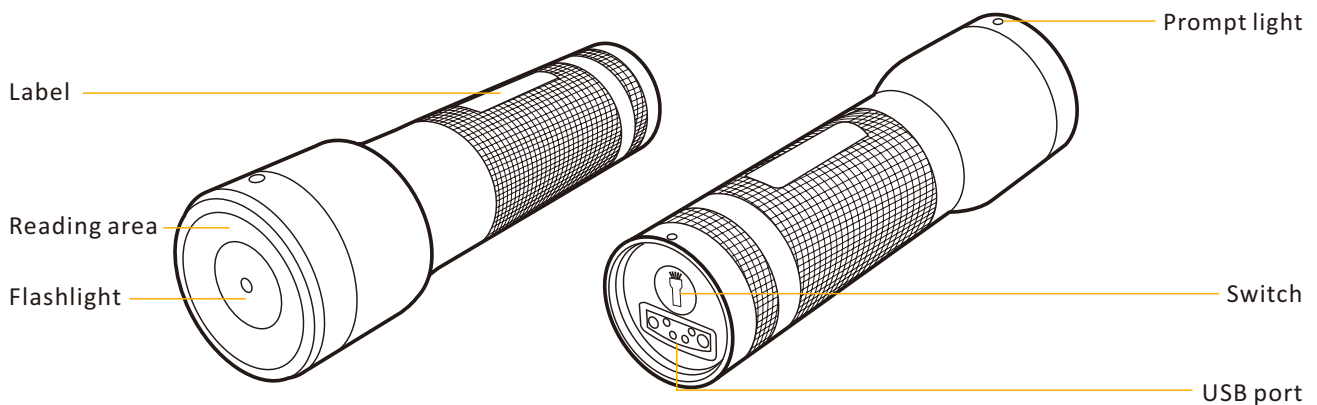
Key Features

- 125KHz RFID proximity reader
- 5-mode LED flashlight
- Alarm clock function
- Large storage capacity
- Impact detection and recording



The ZOOY Z-6600T Lighting Guard Tour System is a cutting-edge security solution designed for precision and efficiency. Featuring a 125KHz RFID reader and a powerful flashlight, it guarantees accurate tracking of patrols in any environment. With its intuitive interface and ample storage, data management is seamless, while the built-in alarm clock function ensures that security personnel remain accountable. Rely on the ZOOY Z-6600T to elevate your security protocols and ensure the safety of your premises.

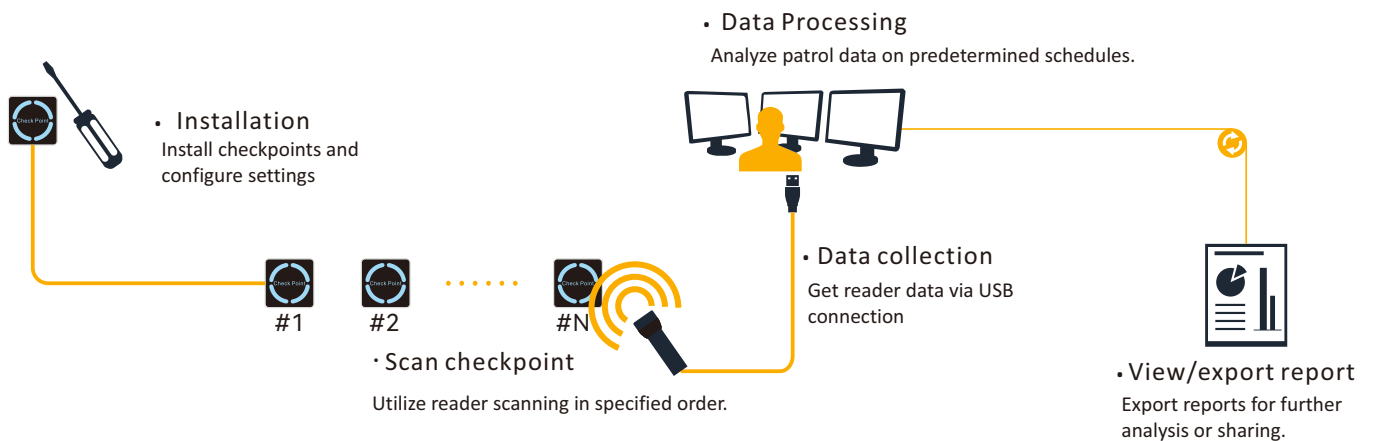
Layout



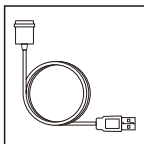
Specification

Reading technology	125KHz RFID (EM-ID tag)
Material	Aluminum Alloy
Prompt	LED+Vibration
Memory	80,000 logs
Impact Record	32,000 logs
Flashlight	High/medium/low/SOS/Strobe
Distance	50 meters
IP rating	IP67
USB	Magnetic USB cable
Battery Capacity	380mAh rechargeable li-ion battery
Charging time	2 hours
Dimension	140mm x ϕ 40mm
Weight	120g
Humidity	30% to 90%
Temperature	-20 to 70 °C

Working Map



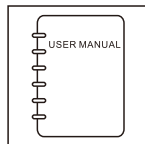
Accessory



USB cable



Software



Manual