

Efficiency Simplified



BASIC GUARD TOUR SOLUTION
PROFESSIONAL MANUFACTURER SINCE 2006



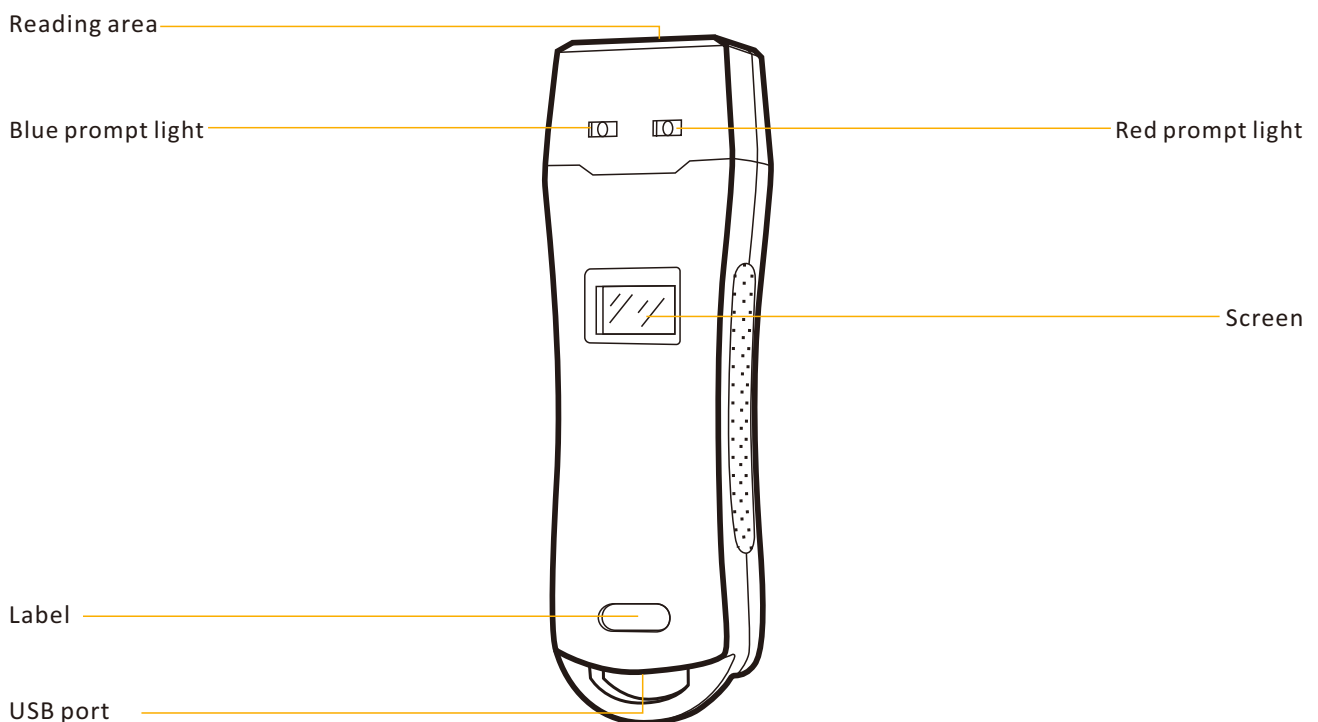
Key Features

- 125KHz RFID proximity reader
- LCD display for running and operations
- Alarm clock function
- Large storage capacity
- Impact detection and recording



The ZOOY Z-6200D Guard Tour System is a reliable and efficient security solution that offers precise tracking of patrols with its 125KHz RFID reader and impact detection technology. Its user-friendly LCD display and generous storage capacity make data management easy, while the alarm clock function keeps security personnel accountable. Trust the ZOOY Z-6200D Guard Tour System for enhanced security and safety.

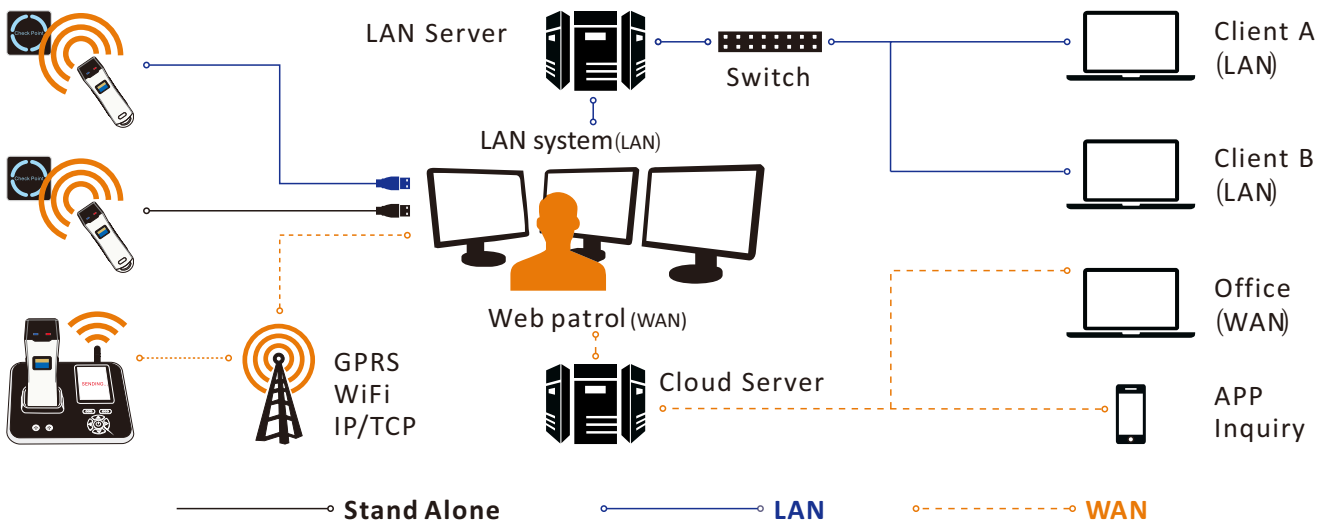
Layout



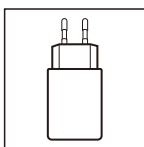
Specification

Display size	0.8 inch LCD screen
Reading technology	125KHz RFID (EM-ID tag)
Material	Metal shell
Prompt	LED+Vibration+display
Memory	80,000 logs
Impact Record	32,000 logs
IP rating	IP67
USB	Anti-vandal pogo-pin USB cable
Battery Capacity	900mAh rechargeable li-ion battery
Charging time	2 hours
Dimension	130mm x 40mm x25mm
Weight	170g
Humidity	30% to 90%
Temperature	-20 to 70 °C

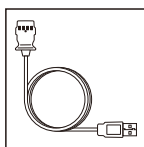
Working Map



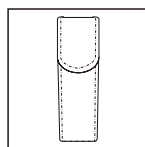
Accessory



Charger



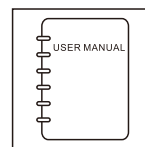
USB cable



Holster



Software



Manual