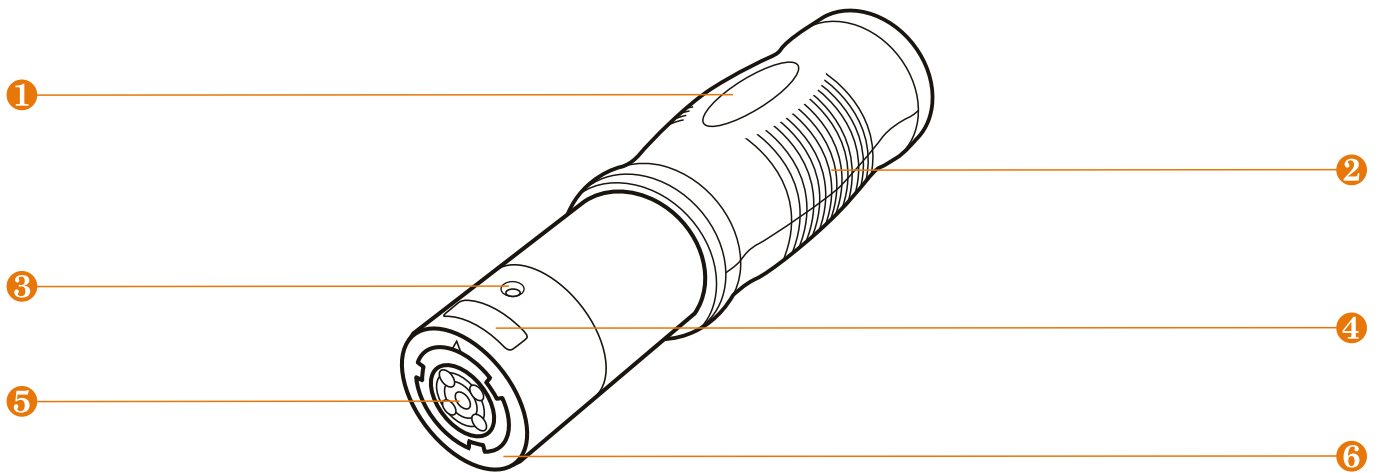




RUGGEDGUARDTOUR SOLUTION 
PROFESSIONAL MANUFACTURER SINCE 2006



- ① Brand
- ② Rubber Handle
- ③ LED Prompt Lighting
- ④ Label
- ⑤ USB Port
- ⑥ Sensor

Benefits



RFID Reading

Through the 125Khz frequency reading the tag, unnecessary to direct touching the checkpoint via Equipment.



Impact Record

Impact record is a timing when employee beating the equipment, once generated will be permanently stored, administrator can follow this in apportioning blame.



Durable USB

Rugged USB Connector made from Metal is meant to withstand a beating.



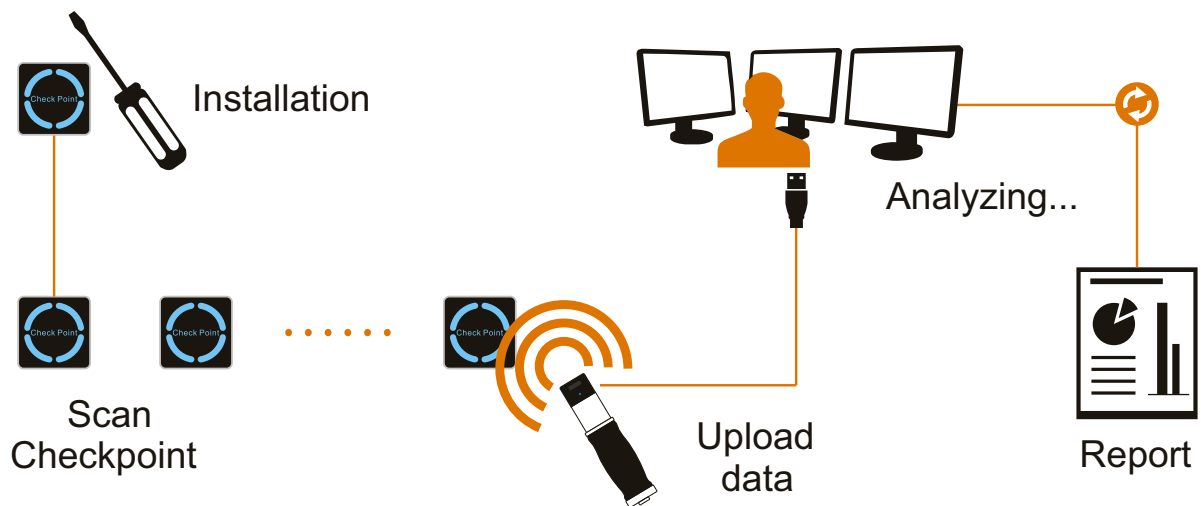
Built-in Battery

With an external battery, you will be able to keep your reader worked all day. You do not have to panic when your battery is on low, and you are not near any charging station.

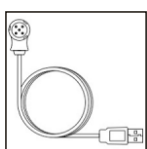
Technical Parameters

Tag type	125kHz EM ID tags
Material	Aluminum alloy+Rubber
Storage	40,000pcs
Impact record	8,000pcs
Workable temperature	-20℃ to 70℃ (-4°F to 158°F)
Workable humidity	0% to 95%
Communication	USB communication
Battery	3.7v built-in rechargeable lithium battery
Prompt	LED indicator&Vibration
IP Rating	IP 65, waterproof, shockproof
Power supply	3.7v
Consumption	<80mA
Dimension	137mm x Φ30mm
Net weight	100g

Working Map



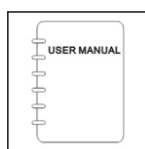
Accessories



USB cable



Software



Manual