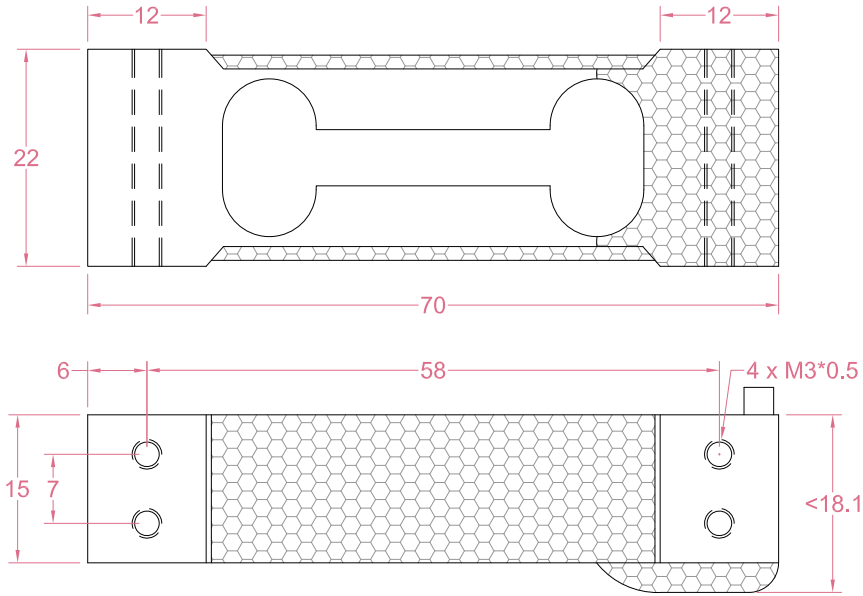




Dimensions in "mm"



Order example:

2 x LCE09 - 1kg

Quantity Model Capacity

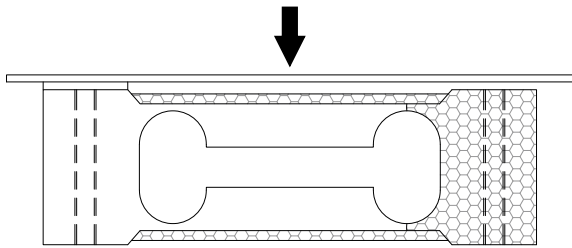
Email to sales@loadcellsensor.com for a quote

Specifications			
Rated Capacity	1/2/5/10 kg		
Rated Output	2.0 mV/V	Compensated Temp.	-10...+40°C
Excitation	3~15V	Operating Temp.	-20...+60°C
Zero Balance	±0.05 mV/V	Temp. Coeff. of Zero	±0.005% F.S./°C
Nonlinearity	±0.02% F.S.	Temp. Coeff. of Span	±0.003% F.S./°C
Hysteresis	±0.02% F.S.	Input Resistance	410±10 Ohms
Nonrepeatability	±0.02% F.S.	Output Resistance	352±5 Ohms
Creep(30min)	±0.03% F.S.	Insulation Resistance	>2000M Ohms(50V)
Safe Load Limit	150% F.S.	IP Rating	IP62
Breaking Load	200% F.S.	Element Material	Aluminum alloy
Cable	Ø3*400mm 4-conductor shielded cable		

• LCS reserves the right to modify its design and specifications without notice

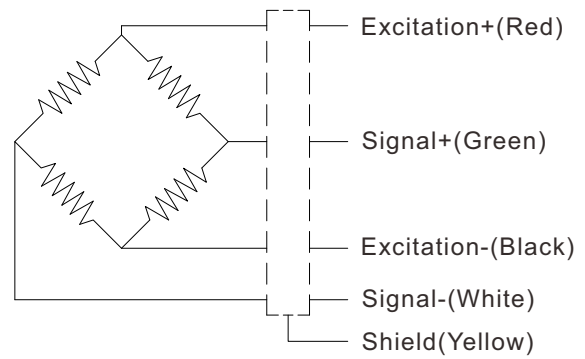


Load direction



Suitable for off center load measurement.
 Platform size goes up to 120x120mm

Wiring Code



Shield is NOT connected to the sensor body

Sensor/Amplifier/Indicator

Items	Power supply	Output/Function
LCE09	3-15V (Constant)	0mV...+30mV (Depending on the power supply)
LCE09 + Analog amplifier	12~24V DC	0-3.3V,0-5V,0-10V, 0-20mA,4-20mA...
LCE09 + Digital amplifier	12~24V DC	RS485 or RS232 output
LCE09 + Indicator	12~24V DC	Display force value Switch/Relay output Peak holding RS485/RS232 interface 0-5V/0-10V/4-20mA output

[Email us for datasheet of amplifier and indicator](#)