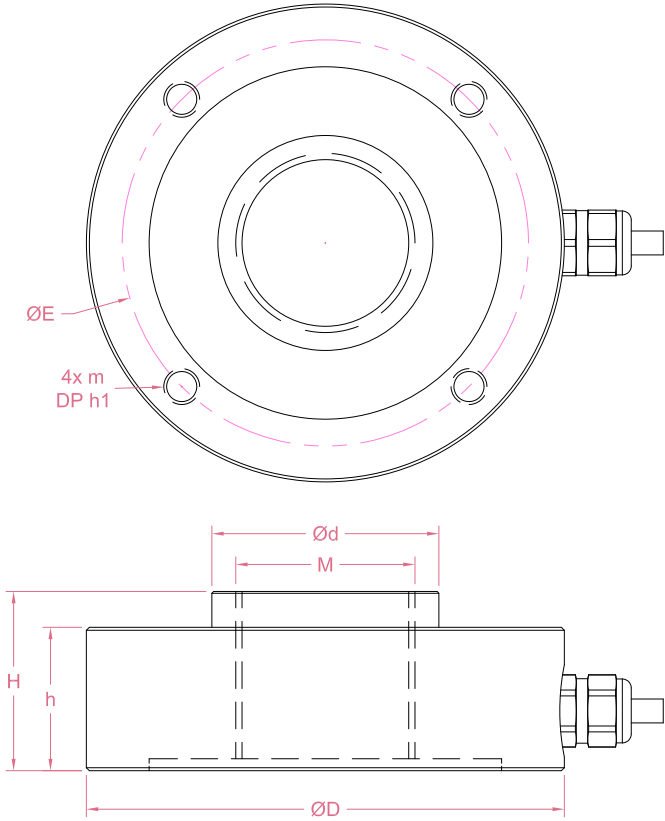




Dimensions in "mm"



Order example:  
**2 x LCP05B - 5kN**

Quantity    Model    Capacity

Email to [sales@loadcellsensor.com](mailto:sales@loadcellsensor.com) for a quote

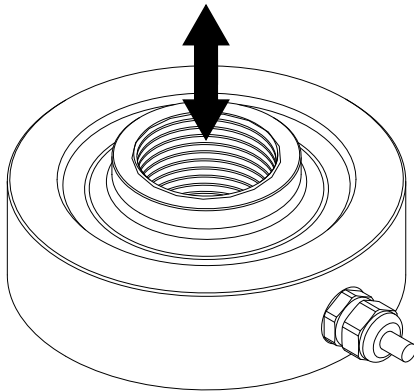
Model	Capacity	D	H	h	d	M	E	m	h1
LCP05A	0.5/1/2/5/10kN	50	18	16	18	M12*1.75	42	M4*0.7	6
LCP05B	1/2/5/10/20kN	60	20	18	28	M20*2.5	50	M5*0.8	7
LCP05C	5/10/20/30/50kN	80	30	24	38	M30*1.5	68	M6*1	8

Specifications			
Rated Capacity	0~50 kN		
Rated Output	1.5 mV/V	Compensated Temp.	0...+40°C
Excitation	3~15V	Operating Temp.	-20...+60°C
Zero Balance	±0.05 mV/V	Temp. Coeff. of Zero	±0.02% F.S./°C
Nonlinearity	±0.5% F.S.	Temp. Coeff. of Span	±0.02% F.S./°C
Hysteresis	±0.5% F.S.	Input Resistance	750±50 Ohms
Nonrepeatability	±0.2% F.S.	Output Resistance	750±50 Ohms
Creep(5min)	±0.1% F.S.	Insulation Resistance	>2000M Ohms(50V)
Safe Load Limit	150% F.S.	IP Rating	IP64
Breaking Load	200% F.S.	Element Material	Stainless steel
Cable	Ø3~Ø5*3000mm 4-conductor shielded cable		

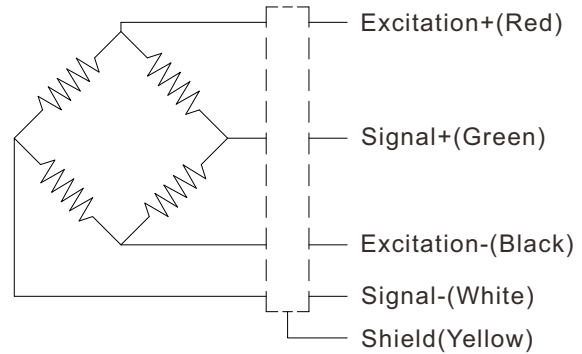
• LCS reserves the right to modify its design and specifications without notice



Load direction



Wiring Code



Shield is NOT connected to the sensor body

### Sensor/Amplifier/Indicator

Items	Power supply	Output/Function
LCP05	3-15V (Constant)	-22.5mV...+22.5mV (Depending on the power supply)
LCP05 + Analog amplifier	12~24V DC	0-3.3V,0-5V,0-10V, -5-5V,-10-10V,0-5-10V 0-20mA,4-20mA,4-12-20mA...
LCP05 + Digital amplifier	12~24V DC	RS485 or RS232 output
LCP05 + Indicator	12~24V DC	Display force value Switch/Relay output Peak holding RS485/RS232 interface 0-5V/0-10V/4-20mA output

[Email us for datasheet of amplifier and indicator](mailto:sales@loadcellsensor.com)

### Customization options

Cable (Length/Specifications/Connectors)
Dimensions and measuring range
Working Temperature (-20°C...+130°C)