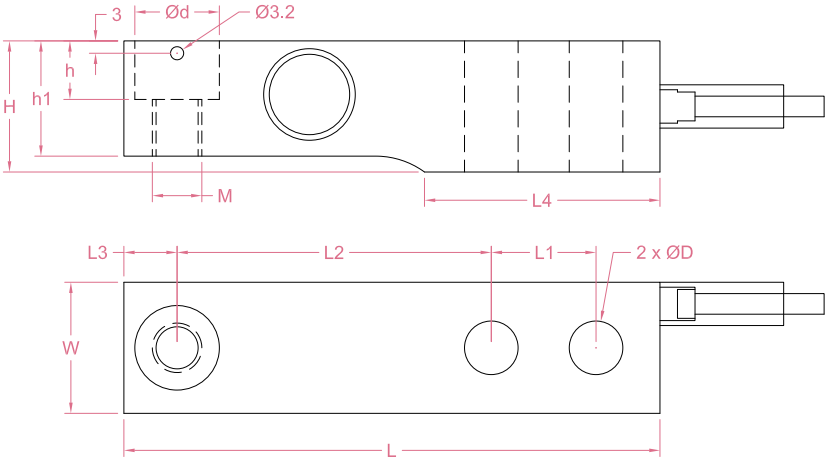




Dimensions in "mm"

| Capacity | L | W | H | L1 | L2 | L3 | L4 | h1 | h | d | D | M | Price |
|----------|-----|------|------|------|------|------|------|------|------|------|------|----------|-----------|
| 250kg | 130 | 31.8 | 31.8 | 25.4 | 76.2 | 12.9 | 57.1 | 25.5 | 14.2 | 20.5 | 13 | M12*1.75 | 89usd/pc |
| 500kg | | | | | | | | 26 | | | | | |
| 1t | | | | | | | | 28 | | | | | |
| 1.5/2t | | | 32 | | | | | | | | | | |
| 5t | 172 | 38 | 44 | 38.1 | 95.3 | 19.5 | 76.2 | 40 | 20 | 30.2 | 20.5 | M20*2.5 | 115usd/pc |



| Capacity | L | W | H | L1 | L2 | L3 | L4 | h1 | h | d | D | M |
|----------|-----|------|------|------|------|------|------|------|------|------|------|-----------|
| 500lb | 130 | 31.8 | 31.8 | 25.4 | 76.2 | 12.9 | 57.1 | 25.5 | 14.2 | 20.5 | 13 | 1/2-20UNF |
| 1klb | | | | | | | | 26 | | | | |
| 2/2.5klb | | | | | | | | 28 | | | | |
| 4/5klb | | | 32 | | | | | | | | | |
| 10klb | 172 | 38 | 44 | 38.1 | 95.3 | 19.5 | 76.2 | 40 | 20 | 30.2 | 20.5 | 3/4-16UNF |



Order example:

2 x LCG05 - 5t - 4W

Quantity Model Capacity 4W:4-wire
 6W:6-wire

Email to sales@loadcellsensor.com for a quote

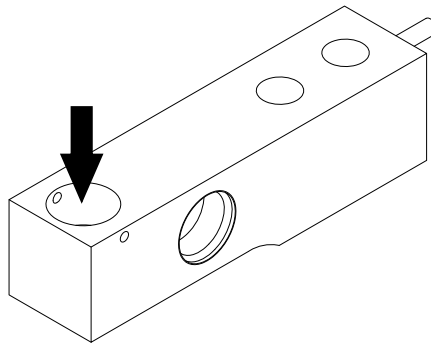
| Specifications | | | |
|------------------|---|-----------------------|------------------|
| Rated Capacity | 250/500/1000/1500/2000/5000 kg 500/1k/2k/2.5k/4k/5k/10k lb | | |
| Rated Output | 2.0±0.005 mV/V | Compensated Temp. | -10...+40°C |
| Excitation | 3~15V | Operating Temp. | -30...+70°C |
| Zero Balance | ±0.03 mV/V | Temp. Coeff. of Zero | ±0.002% F.S./°C |
| Nonlinearity | ±0.02% F.S. | Temp. Coeff. of Span | ±0.002% F.S./°C |
| Hysteresis | ±0.02% F.S. | Input Resistance | 1000±50 Ohms |
| Nonrepeatability | ±0.02% F.S. | Output Resistance | 1000±10 Ohms |
| Creep(30min) | ±0.02% F.S. | Insulation Resistance | >2000M Ohms(50V) |
| Safe Load Limit | 150% F.S. | IP Rating | IP68 |
| Breaking Load | 250% F.S. | Element Material | Stainless steel |
| Cable | Ø5*3000mm 4-wire or 6-wire shielded cable | | |

• LCS reserves the right to modify its design and specifications without notice



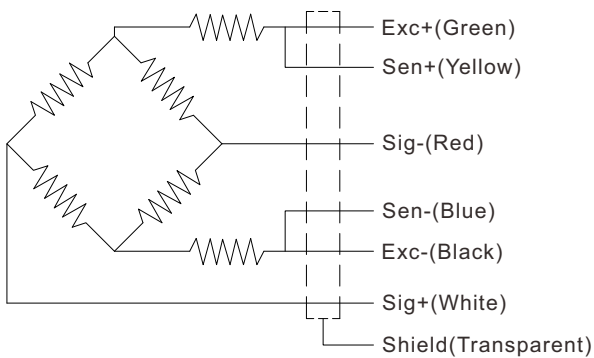


Load direction

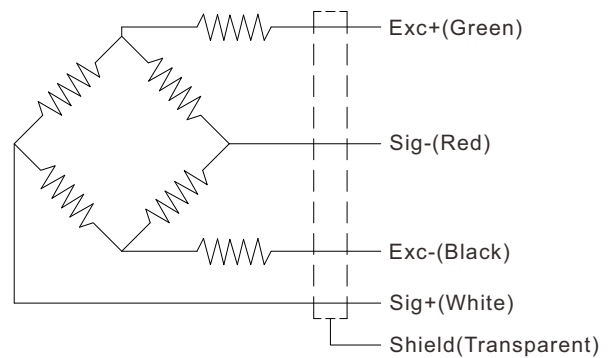


Wiring Diagram

6-wire connection

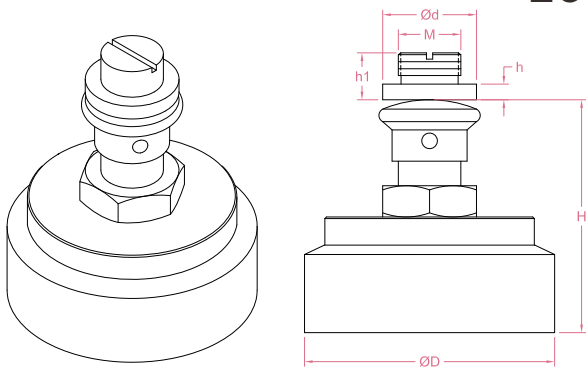


4-wire connection



Shield is NOT connected to the sensor body

Load cell foot



| Item No. | D | H | d | h1 | h | M |
|----------|----|------|----|----|---|-----------|
| LCG05-A | 60 | 48.5 | 20 | 12 | 2 | 1/2-20UNF |
| LCG05-B | | | | | | M12*1.75 |
| LCG05-C | 80 | 66.3 | 30 | 15 | 5 | M20*2.5 |
| LCG05-D | | | | | | 3/4-16UNF |

Material: Stainless steel and rubber

Installation diagram

