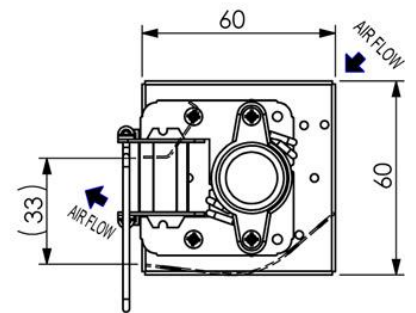
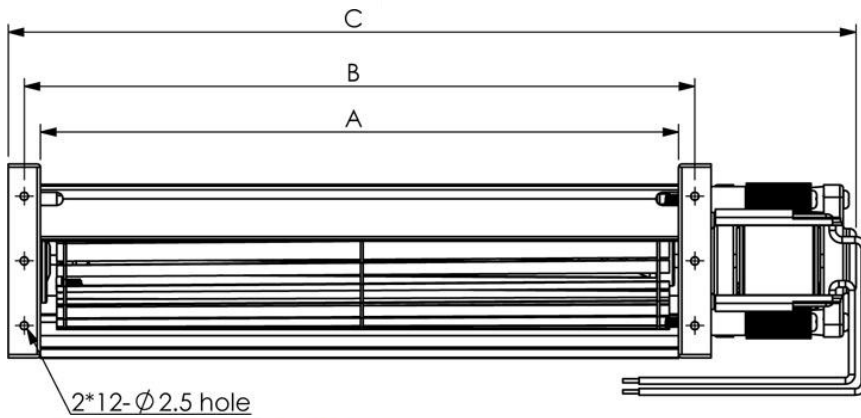




Size: JE-043 AC Fan



Motor : AC Shaded Pole type 1Ø 2P

Spec. Model	Size(mm)			Rated Voltage (V)	Rated Frequency (HZ)	Rated Current (A)	Input Power (W)	Speed (r.p.m.)	Max Pressure (mmAq)	Maximum Air Flow (m³/min)	Noise (dBA)	Weight (g)	Safety Approval		
	A	B	C										UL	TUV	CE
JE-04309A12	98	108	160	120	50 / 60	0.14 / 0.12	10.0 / 9.0	2600 / 3000	1.1 / 1.6	0.7 / 0.8	37 / 40	520			
JE-04309A23				230	50 / 60	0.08 / 0.07	10.0 / 9.0	2600 / 3000	1.1 / 1.6	0.7 / 0.8	38 / 41				
JE-04315A12	160	170	222	120	50 / 60	0.15 / 0.13	11.0 / 10.0	2300 / 2200	0.9 / 1.2	1.2 / 1.2	37 / 35	550			
JE-04315A23				230	50 / 60	0.08 / 0.07	11.0 / 10.0	2300 / 2200	0.9 / 1.2	1.2 / 1.2	38 / 36				
JE-04319A12	198	208	264	120	50 / 60	0.22 / 0.19	15.0 / 14.0	2400 / 2500	0.9 / 1.2	1.5 / 1.6	39 / 40	650			
JE-04319A23				230	50 / 60	0.09 / 0.08	13.0 / 12.0	2400 / 2500	0.9 / 1.2	1.5 / 1.6	38 / 36				
JE-04324A12	250	260	315	120	50 / 60	0.22 / 0.20	16.5 / 15.5	2400 / 2300	0.9 / 1.0	1.9 / 1.8	39 / 38	680	o		
JE-04324A23				230	50 / 60	0.09 / 0.08	13.0 / 12.0	2300 / 2000	0.9 / 1.0	1.8 / 1.6	37 / 34				
JE-04329A12	300	310	375	120	50 / 60	0.32 / 0.29	22.0 / 21.0	2600 / 2900	1.2 / 1.4	2.5 / 2.7	44 / 45	890	o		
JE-04329A23				230	50 / 60	0.14 / 0.13	19.0 / 18.0	2500 / 2500	1.2 / 1.4	2.5 / 2.5	43 / 42		o		
JE-04335A12	360	370	435	120	50 / 60	0.34 / 0.32	23.0 / 23.0	2500 / 2500	1.2 / 1.3	3.3 / 3.3	43 / 43	920	o		
JE-04335A23				230	50 / 60	0.15 / 0.14	20.0 / 19.0	2400 / 2100	1.2 / 1.3	3.2 / 2.5	42 / 39		o		

