



NEW Size:60*60*25mm

General Specifications:

Motor: 4 pole brushless DC motor
 Frame: Thermoplastic PBT+30%GF
 Impeller: Thermoplastic PBT+15%GF
 Bearing: Precision Ball Bearing/Sleeve Bearing
 Storage temperature: -40°C to +75°C
 Operating temperature: -10°C to +70°C

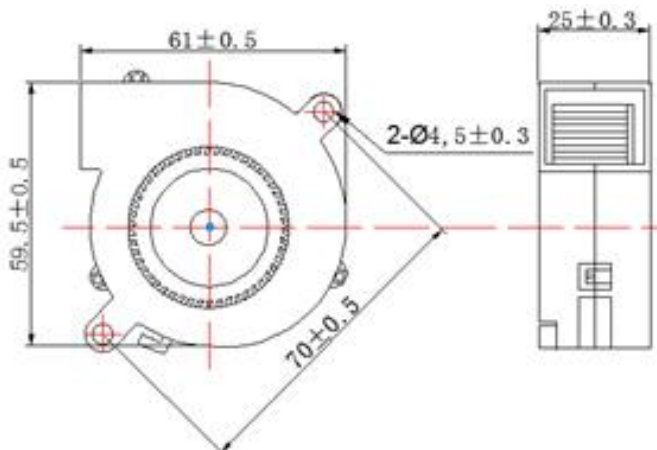


Major Characteristic Parameters



Model 型号	Bearing Type 轴承类型	Rated Voltage 额定电压	Current 电流	Speed 转速	Air Flow 风量	Pressure 风压	Noise 噪音	Weight 重量	
		VDC	A	RPM	CFM	mmH ₂ O	dBA	g	
BD2460259S/B	S/B	24	0.23	5500	7.8	26.7	44.7	46	
BD2460257S/B			0.14	5000	5.7	13.7	36.8		
BD2460255S/B			0.09	4000	4.6	8.1	30.6		
BD2460253S/B			0.06	3000	3.6	4.7	26.4		
BD1260259S/B		12	0.4	5500	7.8	26.7	44.7		
BD1260257S/B			0.23	5000	5.7	13.7	36.8		
BD1260255S/B			0.18	4000	4.6	8.1	30.6		
BD1260253S/B			0.13	3000	3.6	4.7	26.4		
BD0560257S/B		5	5	0.45	4000	5.7	13.7		36.8
BD0560255S/B				0.35	3500	4.6	8.1		30.6
BD0560253S/B				0.23	3000	3.6	4.7		26.4

* B: Two Ball bearing S: Sleeve Bearing * All reading are typical values at rated voltage
 * Function type optional * Specifications are subject to change without notice



Characteristic Curve

