



Size:92*92*25mm

General Specifications:

- Die-cast aluminum housing
- Metal impeller or Class fiber reinforced plastic:
Impeller are UL 94V-0 rating
- Shaded pole motor
- Impedance protected
- Bearing: Precision Ball Bearing/Sleeve Bearing
- Storage temperature: -40°C to +75°C
- Operating temperature:-10°C to +70°C



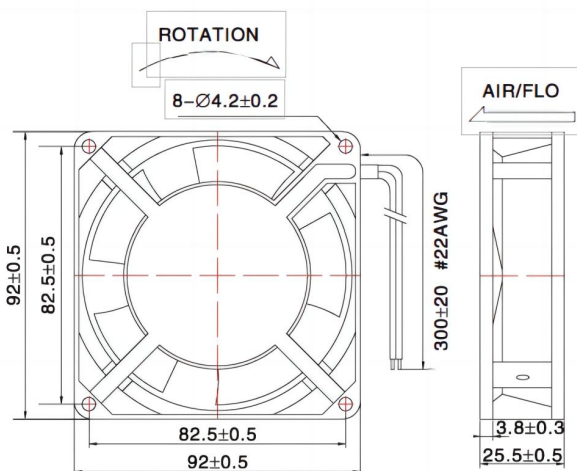
Specifications

Model 型号	Bearing System 轴承	Rated Voltage (V) 电压	Freq. (Hz) 频率	Current (A) 电流	Input Power (W) 功率	Speed (RPM) 转速	Air Flow (CFM) 风量	Static Pressure (mm-Ho) 静压	Noise Level (dB-A) 噪音	Weight (g) 重量
9225HS/B1	Sleeve/Ball	110	50/60	0.15/0.13	17.0/15.0	2500/3000	24/29	4.5/6.5	33/35	280
9225MS/B1		110	50/60	0.11/0.10	13.0/10.0	2200/2600	21/25	3.0/3.3	29/33	
9225HS/B2		220	50/60	0.09/0.08	17.0/15.0	2500/3000	24/29	4.5/6.5	33/35	
9225MS/B2		220	50/60	0.06/0.05	13.0/10.0	2200/2600	21/25	3.0/3.3	29/33	

* B: Two Ball bearing S: Sleeve Bearing * All reading are typical values at rated voltage

* Function type optional * Specifications are subject to change without notice

★Dimensions Drawing(外观图)



★Characteristic Curves(特性曲线)

