



Size: \varnothing 220*60mm

General Specifications:

- Die-cast aluminum housing
- Metal impeller or Class fiber reinforced plastic:
Impeller are UL 94V-0 rating
- Shaded pole motor
- Impedance protected
- Bearing: Precision Ball Bearing/Sleeve Bearing
- Storage temperature: -40°C to +75°C
- Operating temperature: -10°C to +70°C



Specifications

MODEL	Bearing System	Rated Voltage (V)	Frequency (HZ)	Rated Current (A)	Input Power (W)	Speed (RPM)	Max Air Flow (CFM)	Max Static Pressure (mm H ₂ O)	Noise (dBA)	Weight (g)
22060HS(B)1	S/B	110	60	0.69	56	2500	325	10.40	58	1700
22060HS(B)2	S/B	220	50	0.30	48	2500	325	10.40	58	1700
22060HS(B)3	S/B	380	50	0.16	45	2500	325	10.40	58	1700

* B: Two Ball bearing S: Sleeve Bearing * All reading are typical values at rated voltage

* Function type optional * Specifications are subject to change without notice

★Dimensions Drawing(外观图)

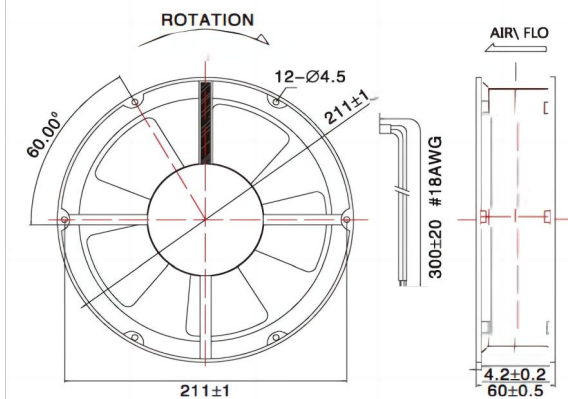


图) ★Characteristic Curves(特性曲线)

