



Size:92\*92\*38mm

### General Specifications:

Motor: 4 pole brushless DC motor  
 Frame: Thermoplastic PBT+30%GF  
 Impeller: Thermoplastic PBT+15%GF  
 Bearing: Precision Ball Bearing/Sleeve Bearing  
 Storage temperature: -40°C to +75°C  
 Operating temperature: -10°C to +70°C



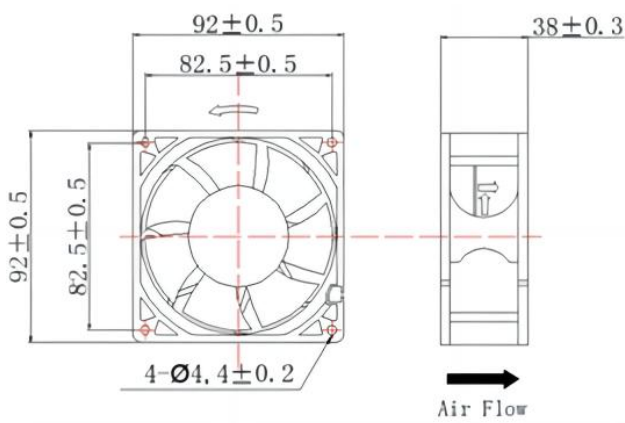
### Major Characteristic Parameters



MODEL	Bearing System	Rated Voltage (V)	Rated Current (A)	Input Power (W)	Speed (RPM)	Max Air Flow (CFM)	Max Static Pressure (mm H <sub>2</sub> O)	Noise (dBA)	Weight (g)
FD1292387S(B)	S/B	12	1.60	19.20	5200	116.53	19.60	57.0	205
FD1292385S(B)	S/B	12	1.20	14.40	4400	99.00	14.40	52.0	205
FD1292383S(B)	S/B	12	0.80	9.60	3600	81.25	9.46	47.0	205
FD1292381S(B)	S/B	12	0.50	6.00	2800	61.07	5.41	41.0	205
FD1292387S(B)	S/B	24	0.80	19.20	5200	116.53	19.60	57.0	205
FD2492385S(B)	S/B	24	0.60	14.40	4400	99.00	14.40	52.0	205
FD2492383S(B)	S/B	24	0.40	9.60	3600	81.25	9.46	47.0	205
FD2492381S(B)	S/B	24	0.25	6.00	2800	61.07	5.41	41.0	205
FD4892387S(B)	S/B	48	0.40	19.20	5200	116.53	19.60	57.0	205
FD4892385S(B)	S/B	48	0.30	14.40	4400	99.00	14.40	52.0	205
FD4892383S(B)	S/B	48	0.20	9.60	3600	81.25	9.46	47.0	205

\* B: Two Ball bearing S: Sleeve Bearing \* All reading are typical values at rated voltage

\* Function type optional \* Specifications are subject to change without notice



Characteristic Curve

