



### Overview

Place of Origin: Jiangsu, China  
 Model Number: 1.56  
 Lenses Color: Blue Cut,UV420  
 Vision Effect: Progressive  
 Corridor: 12+2mm  
 Brand Name: kingway  
 Certificate: CE/ISO  
 Lenses Material: Resin  
 Coating: HC,HMC  
 Diameter: 70mm

Whatsapp,Skepe,Wechat, Email

### Packaging & Delivery

Selling Units: Pairs  
 Single package size: 50X45X45 cm  
 Single gross weight: About 22kgs  
 Package Type: Inner: envelops;Outer: Carton; export standard or upon your design  
 Lead Time : Quantity(Pairs) 1 - 1000prs, 10days  
 Quantity(Pairs) > 5000prs, To be negotiated

### Blue cut light 1.56 progressive shorter corridor 12+2mm optical lens


Refractive index	Corridor Length	Coating	Abbe Value
1.56	12+2mm	HC, HMC	42
Specific Gravity	Transmission	Monomer	Power Range
1.15	> 97%	NK55	SPH: 0.00~+-3.00 ADD: +1.00~+3.00

#### The Benefits of Blue Cut Lenses

Blue Cut Lenses is to block and protect your eyes from high energy blue light exposure. Blue cut lens effectively blocks 100% UV and 40% of the blue light, reduces the incidence of retinopathy and provides improved visual performance and eye protection, allowing wearers to enjoy the added benefit of clearer and sharper vision, without altering or distorting color perception.

**BLUE CUT LENSES ARE SPECIAL COATED LENSES THAT ARE DESIGNED TO**

- Filter Harmful blue light
- Normalize sleeping patterns
- Improve contrast and reduce glare
- Improve Visual activity & Night vision



### Features.

---



### The Advantages Of Progressive Lenses.

- With progressive lenses, you won't need to have more than one pair of glasses with you. You don't need to swap between your reading and regular glasses.
- Vision with progressives can seem natural. If you switch from viewing something up close to something far away, you won't get a "jump" like you would with bifocals or trifocals. So if you're driving, you can look at your dashboard, at the road, or at a sign in the distance with a smooth transition.
- They look like regular glasses. In one study, people who wore traditional bifocals were given progressive lenses to try. The study's author said

### AR Coating.

--HC(hard coating): To protect the uncoated lenses from scratch resistance

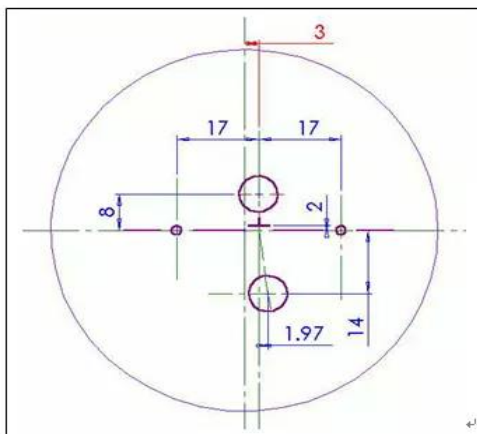
--HMC(hard multi coated/AR coating): To protect the lens effectively from reflection, enhance functional and clarity of your vision

--SHMC(super hydrophobic coating): To make the lens waterproof, antistatic, anti slip and oil resistance.



## Progressive Short Corridor (M.S.OPTICAL Design—Magic)

- **Index: 1.56**
- **Technical Data**



	In Diopter Terms	In mm
<b>Width of Far Vision Zone</b> (2mm above MRP)	0.5 D	10.4mm
<b>Width of Far Vision Zone</b> (8mm above MRP)	1.0 D	Clear
<b>Width of Far Vision Zone</b> (14mm above MRP)	0.5 D	23.0mm
<b>Width of Far Vision Zone</b> (17mm above MRP)	1.0 D	Clear
<b>Height of Iso-Astig. Line above</b> 0-180 line (17mm from MRP) temporal	0.5 D	6.8mm
<b>Width of Reading Zone</b> (14mm below MRP)	0.5 D	5.5mm
<b>Width of Reading Zone</b> (17mm below MRP)	0.5 D	8.3mm
<b>Width of Reading Zone</b> (20mm below MRP)	1.0 D	14.0mm
<b>Fitting Cross</b>	up form center	2.0mm
<b>Start of Progressive above MRP</b>		-2.0mm
<b>End of Progressive above MRP</b>		14.0mm
<b>Maximum Astigmatism</b>		-2.5
<b>Corridor Width</b>	0.5 D	4.6mm
<b>Corridor Width</b>	1.0D	8.7mm
<b>Minimum Fitting Height</b>		17mm

### Availability :

- Semi-Finished(S/F) Lenses
- Base Curves : 2.00, 4.00, 6.00, 8.00
- Addition Powers : 1.00 to 3.00 in 0.25D steps

### 1.56 PHOTOCROMIC S/F PROGRESSIVE SHORT CORRIDOR LENS

Dimension	Nominal	True Curve	Back	Edge	Center	MRP	Seg	Fitting Cross	Sag at
-----------	---------	------------	------	------	--------	-----	-----	---------------	--------

