

产品介绍 product description

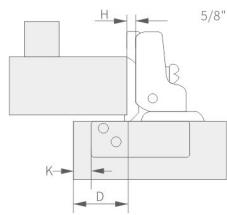


中曲 Half Overlay YD-367C



直臂 Full Overlay YD-D367

底座安装孔位与盖位表 Installation hole location

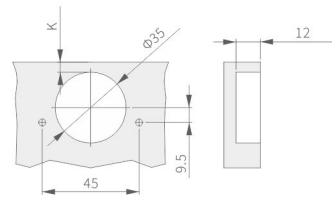


YD-367C

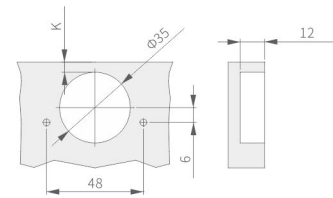


YD-D367

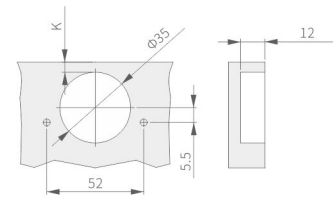
铰杯安装孔位尺寸 Installation hole location



孔距:45mm



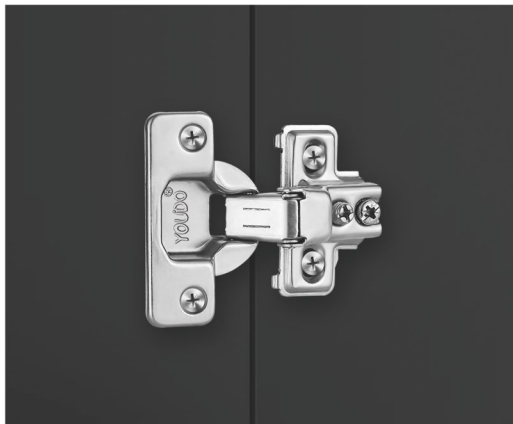
孔距:48mm



孔距:52mm

YD-367 短臂铰链

Short arm hinge



二段力铰链
开门角度:105°
铰杯厚度:11.5mm
铰杯直径:35mm
面板(K)尺寸:3-7mm
门可选用板厚度:14-26mm

Two sections strength hinge
Opening angle:105°
Thickness of hinge cup:11.5mm
Diameter of hinge cup:35mm
Door (K)dimension:3-7mm
Range for door thickness:14-26mm

产品介绍 product description



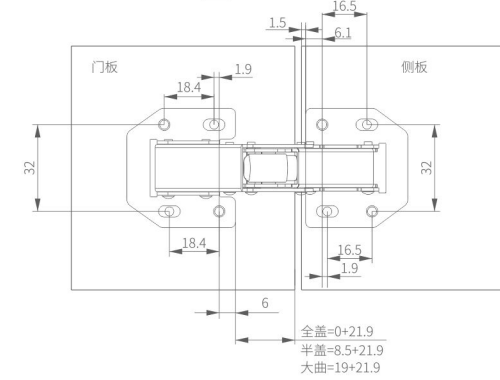
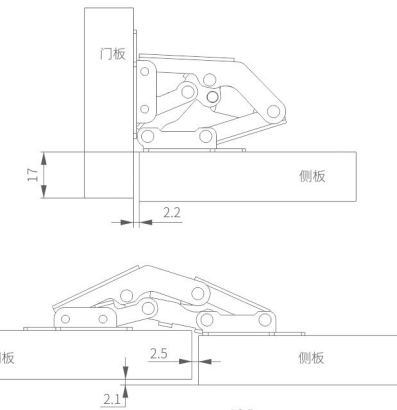
504



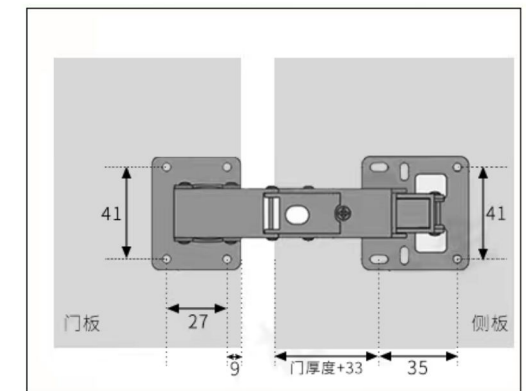
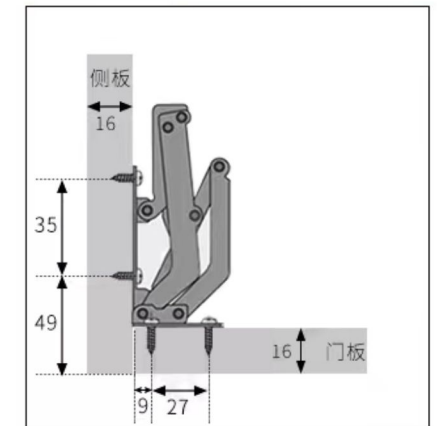
505

基于选用高规格的冷轧钢板,经由先进的模具、压铸、机加、装配、电镀等工艺流程,使产品表面平整光洁、结构坚固; A型柜门铰链,无需开铰杯孔,为柜门提供更好的解决方案,易于安装,便于应用;使柜门轻柔无声闭合,更好保护门板;

底座安装孔位与盖位表 Installation hole location



安装小盖位(反)



YD-504/505 桥型铰链

Bridge hinge



固定式 A型铰链
A型柜门铰链,无需开铰杯孔
适用于15-20mm厚度的门板
覆盖距离调节:±2mm
铰链油缸:锻打油缸
铰链材质:冷轧钢板、镀镍

Fixed type A hinge
A-type cabinet door hinge,
no need to open the hinge cup hole
Suitable for door panels with a thickness of 15-20mm
Covering distance adjustment: ±2mm
Hinge cylinder: forging cylinder
Hinge material: cold rolled steel plate, nickel plated

