

PV Combiner Box

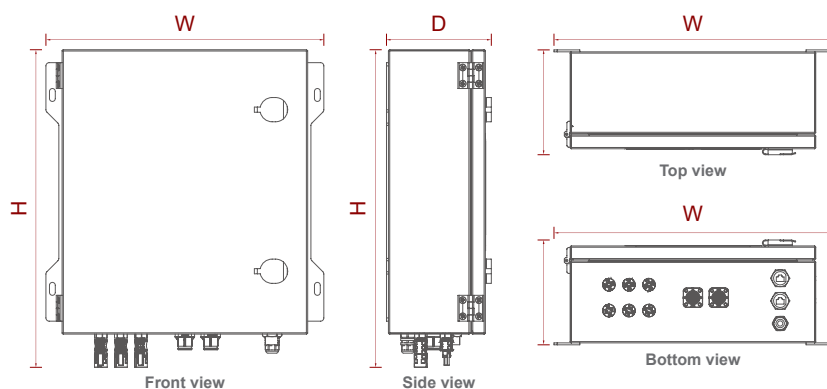
With Built-in MPPT



• Features

- IP65 protection grade, can be installed outdoor.
- Integrated MPPT modular.
- System Voltage 48 VDC.
- Number of PV inputs, 3 Strings & 6 Strings.
- Anti Backflow protection.
- Reverse connection protection.

• Product Dimensions



Model	Size(W*D*H)
60A	430*163*492mm
120A	520*163*778mm

• Technical Parameter

PV Combiner Box		
Model	60A	120A
Nominal System Voltage	48 VDC	
Maximum Battery Current	60 Amps	120 Amps
Maximum Solar Input Voltage	150V	
PV Array MPPT Voltage Range	(Bat. Voltage+5V)~115VDC	
Maximum Input Power	3200 Watts	6400 Watts
Protections	Solar high voltage disconnect;Solar high voltage reconnect; Battery high voltage disconnect;Battery high voltage reconnect; High temperature disconnect;High temperature reconnect	
Charging Algorithm	3-Step	
Charging Stages	Bulk, Absorption, Float	
Charging Set Points	Absorption Stage	Float Stage
Flooded Battery	58.4V	54V
AGM/Gel Battery (Default)/Customized	56.4V	54V
Over-charging Voltage	60V	
Over-charging Comeback Voltage	58V	
Battery Defect Voltage	34V	
Battery Defect Comeback Voltage	36V	
Number Of DC Inputs	3 Strings	6 Strings
Number Of DC Outputs	1 (Support customization for output number)	
Protection Level	IP65	
Application	Solar PV System/Energy Storage System	
Communication	CAN / RS485	
DC Fuse	250VDC 50A	
Connection Type DC Input	PV MC4 Connector, IP65	
Over Current Protection	Yes	
Short Circuit Protection	Yes	
Surge Protection	Yes	