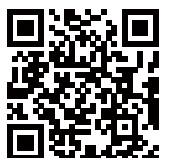


## Verona

Electric Heated Towel Warmer

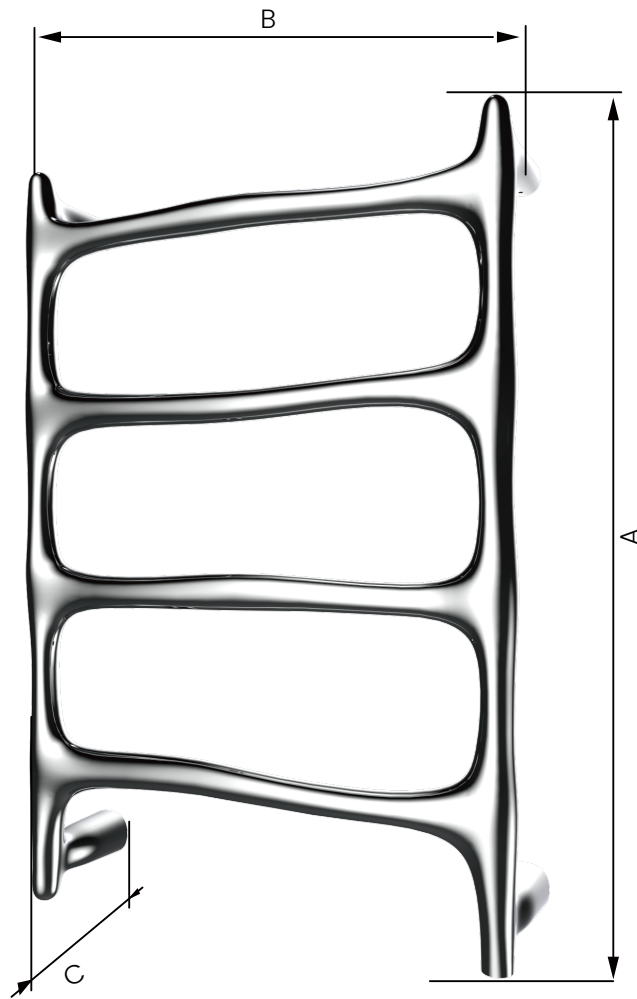


Model shown: S9-M-PBR-N



## Product Specification

This drawing is for design reference only. For specific drilling/hole positions, please refer to the actual product.	Products and specifications are subject to change without notice. Please contact customer service for Full Size Product Template.	Finish/Color
		Please refer to the PRICE CATALOG for all finishes/colors/control options.



**S9-M**

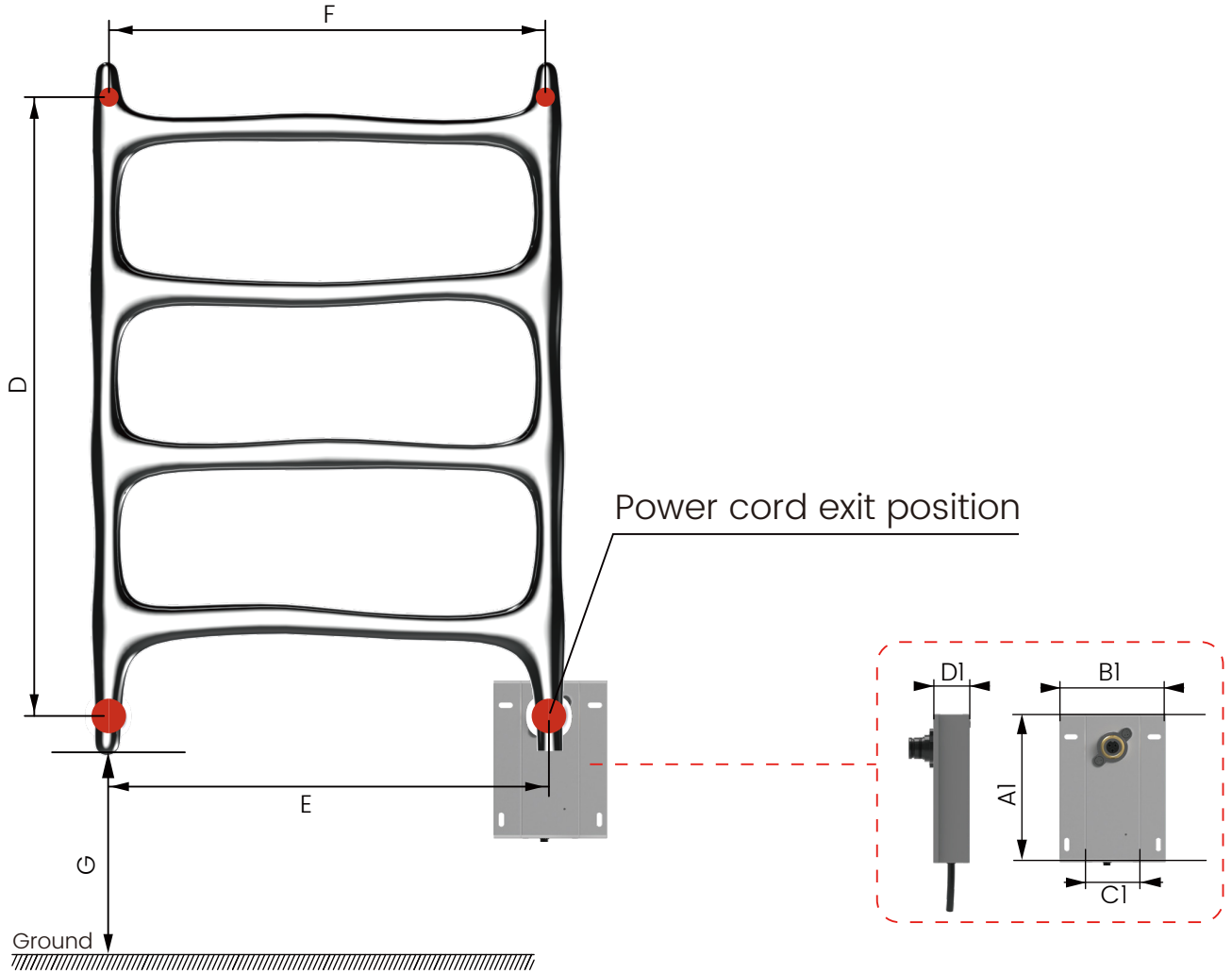
Tolerance on dimensions:  $\pm 0.3'' / \pm 8\text{mm}$

MODEL	A	B	C
S3-M	28.3" 720mm	19.7" 500mm	5.1" 130mm

Model	S9-M
Package dimensions /in/mm	32.56x22.8x37.80"/827x580x198mm
Power/W	42
Gross weight /lb/kg	50.49lb/22.9kg
Net weight /kg	19.84lb/9kg

## Mounting & Hole Layout

This drawing is for design reference only. For specific drilling/hole positions, please refer to the actual product.	Products and specifications are subject to change without notice. Please contact customer service for Full Size Product Template.	Finish/Color
		Please refer to the PRICE CATALOG for all finishes/colors/control options.



### Stud Wall Installation

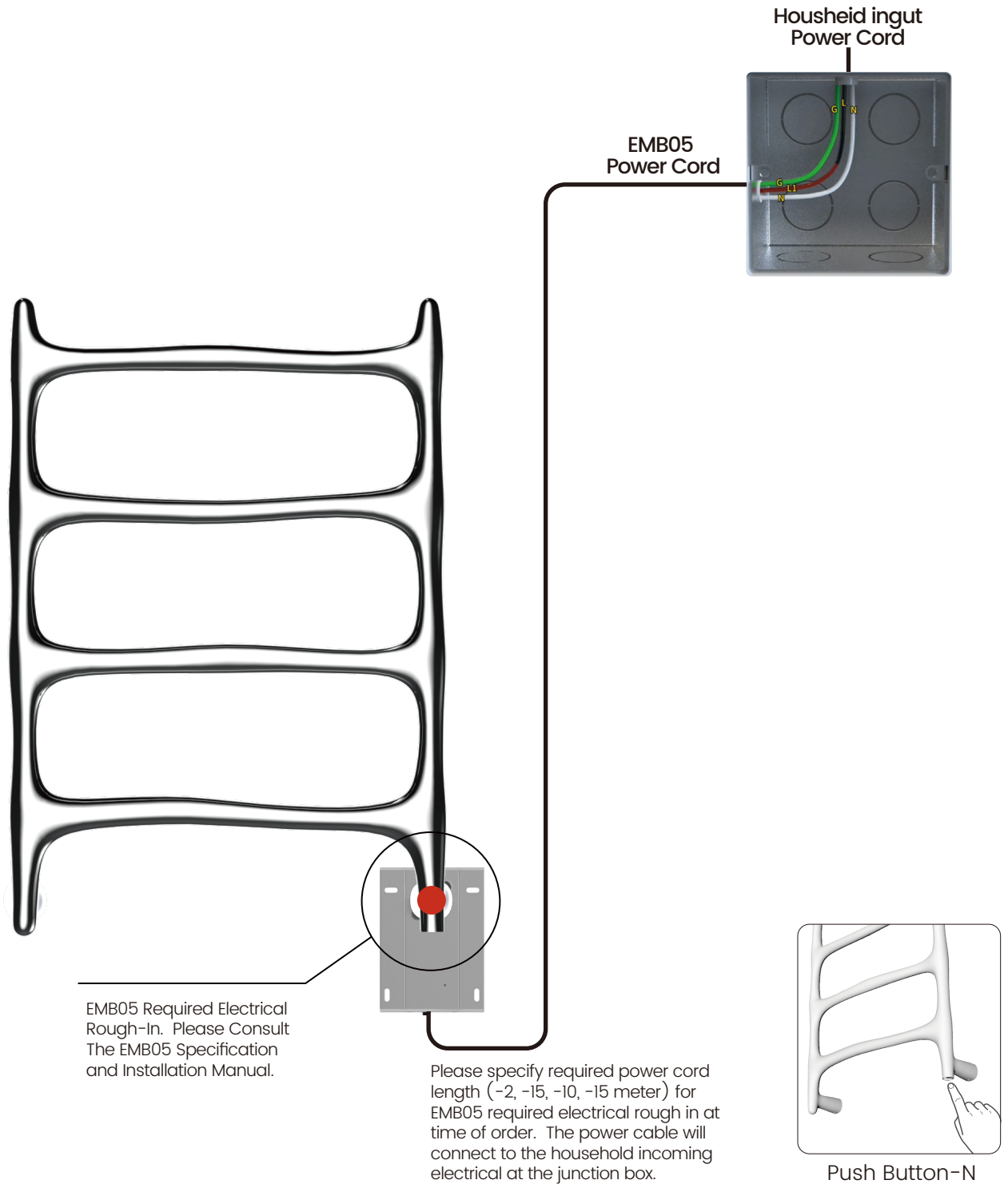
**NOTE**  
The Rough Body Fixed Block Box Must Be Installed Flush With the Exterior Edge Of The Wood Studs/Cross Beams To Ensure Proper Rough-In Dimension.

**NOTE** The thickness of the finished wall application (including drywall, and tile, stone, etc.) should not be less than 0.5in/15mm and should not exceed 1.5in/40mm.

Tolerance on dimensions:  $\pm 0.3''/\pm 8\text{mm}$

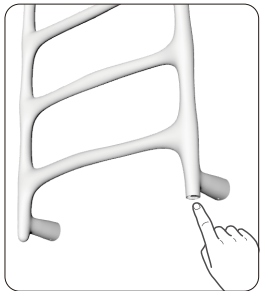
MODEL	D	E	F	G	A1	B1	C1	D1
S3-M	25.4" 645mm	18.1" 460mm	17.9" 455mm	40.5" 1030mm	5.7" 145mm	4.1" 103mm	2.3" 58mm	1.4" 35mm

Electrical Diagram  
**For Integrated Control**



EMB05 Required Electrical Rough-In. Please Consult The EMB05 Specification and Installation Manual.

Please specify required power cord length (-2, -15, -10, -15 meter) for EMB05 required electrical rough in at time of order. The power cable will connect to the household incoming electrical at the junction box.

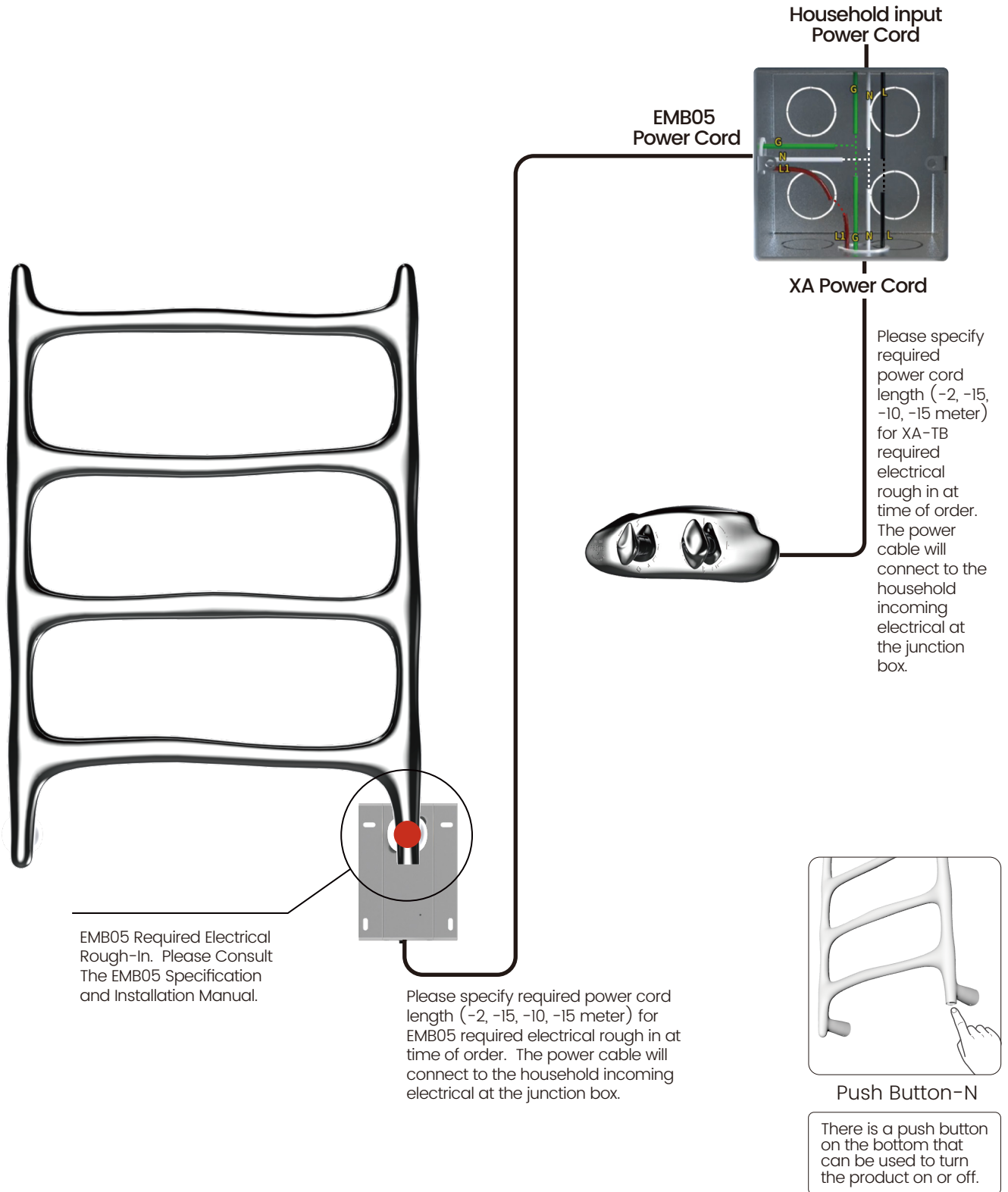


**Push Button-N**

There is a push button on the bottom that can be used to turn the product on or off.

## Electrical Diagram

### For Optional -XA Digital Metal Knob Control



## Electrical Diagram

### For Optional -XM Digital Metal Knob Control

