

K06

Electric Heated Towel Warmer

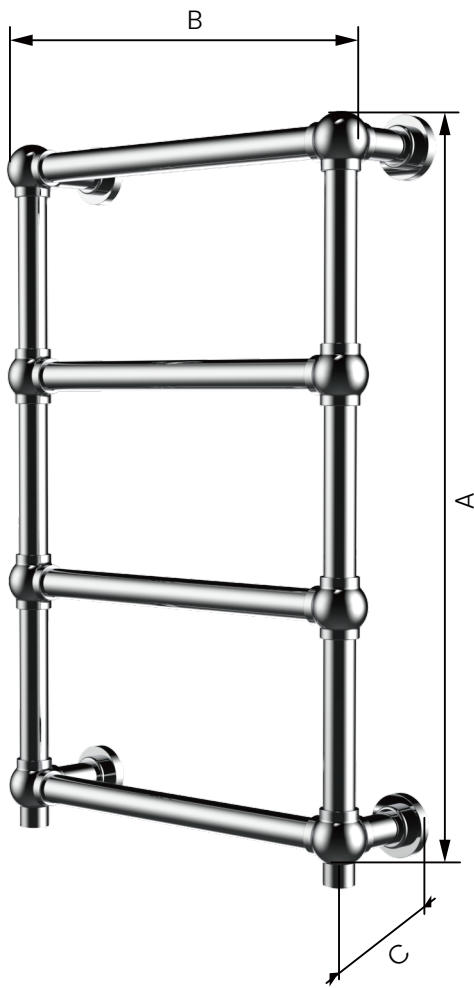


Model shown:K06-M-CHR-LGD-XK

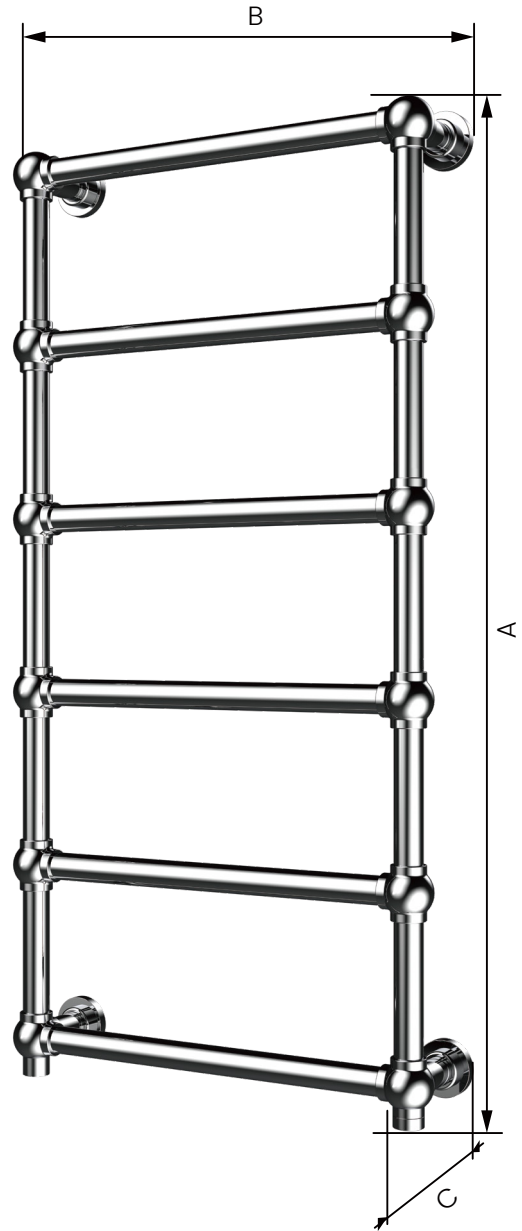


Product Specification

This drawing is for design reference only. For specific drilling/hole positions, please refer to the actual product.	Products and specifications are subject to change without notice. Please contact customer service for Full Size Product Template.	Finish/Color
		Please refer to the PRICE CATALOG for all finishes/colors/control options.



K06-M



K06-L

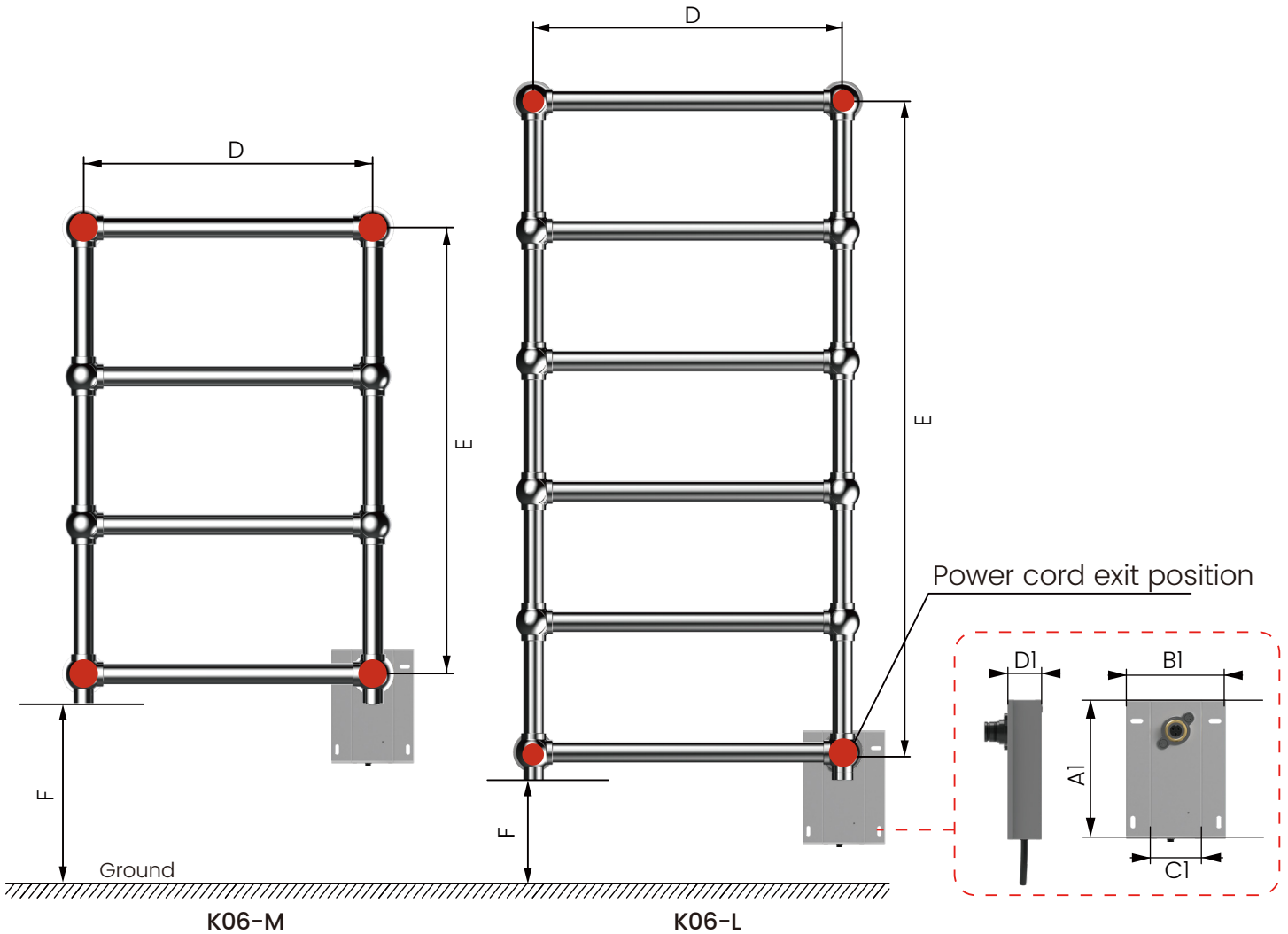
Tolerance on dimensions: $\pm 0.2'' / \pm 5\text{mm}$

MODEL	A	B	C
K06-M	29.5" 750mm	19.7" 500mm	5" 125mm
K06-L	43.3" 1100mm	21.7" 550mm	5.9" 125mm

Model	K06-M	K06-L
Package dimensions /in/mm	33.2x23.2x8.3"/843x590x210mm	46.9x23.2x8.3"/1190x590x210mm
Power /W	65	106
Net weight /kg	14lb/6.35kg	

Mounting & Hole Layout

This drawing is for design reference only. For specific drilling/hole positions, please refer to the actual product.	Products and specifications are subject to change without notice. Please contact customer service for Full Size Product Template.	Finish/Color
		Please refer to the PRICE CATALOG for all finishes/colors/control options.



Stud Wall Installation

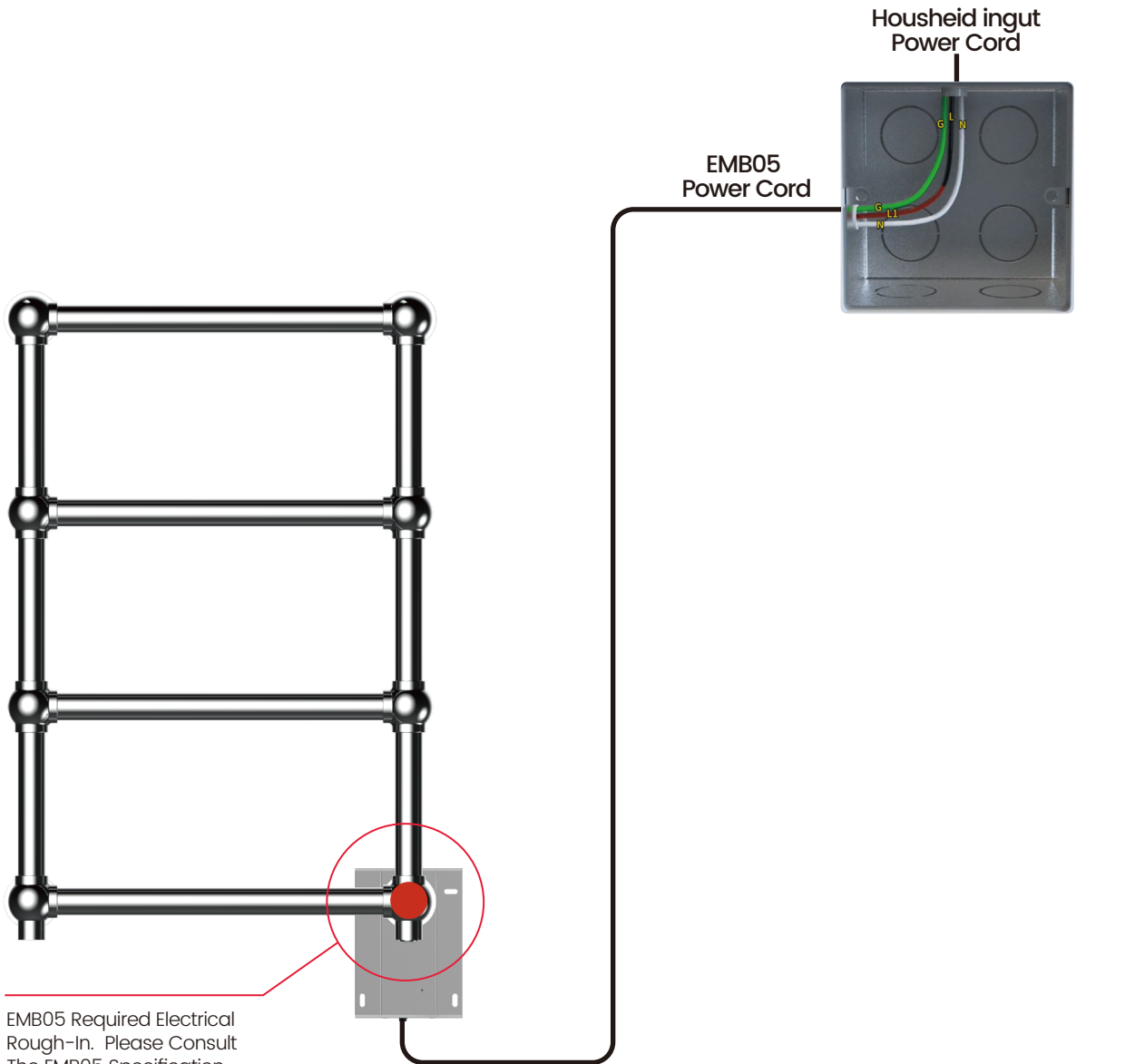
NOTE The Rough Body Fixed Block Box Must Be Installed Flush With the Exterior Edge Of The Wood Studs/Cross Beams To Ensure Proper Rough-In Dimension.

The thickness of the finished wall application (including drywall, and tile, stone, etc.) should not be less than 0.5in/15mm and should not exceed 1.5in/40mm.

Tolerance on dimensions: $\pm 0.2' / \pm 5\text{mm}$

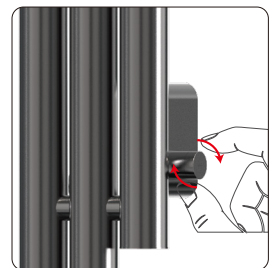
MODEL	D	E	F	A1	B1	C1	D1
K06-M	17.2" 436mm	26.5" 673mm	37.4" 950mm	5.7" 145mm	4.1" 103mm	2.3" 58mm	1.4" 35mm
K06-L	19.1" 486mm	40.3" 1024mm	27.5" 700mm	5.7" 145mm	4.1" 103mm	2.3" 58mm	1.4" 35mm

Electrical Diagram For Integrated Control



EMB05 Required Electrical Rough-In. Please Consult The EMB05 Specification and Installation Manual.

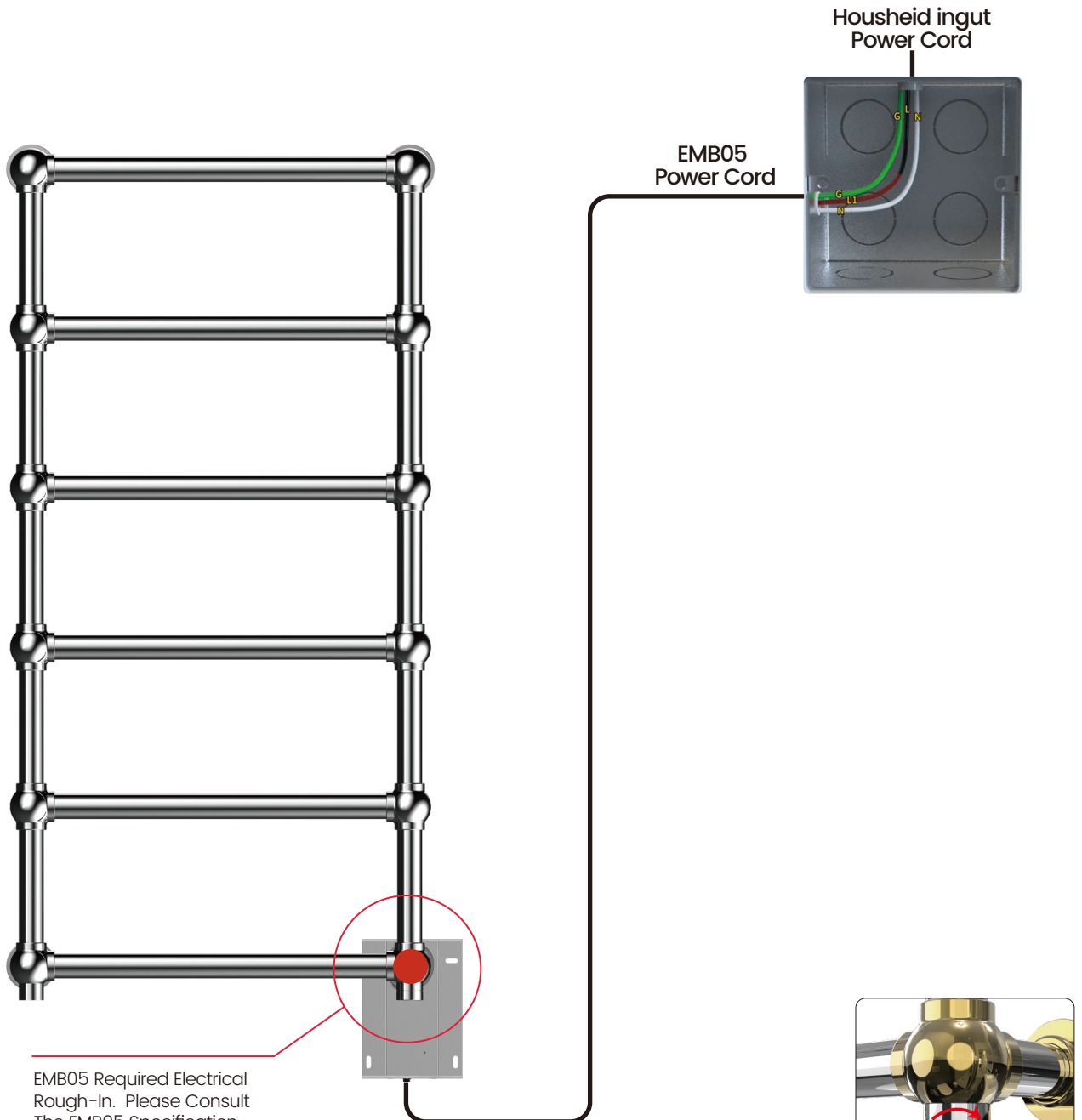
Please specify required power cord length (-2, -15, -10, -15 meter) for EMB05 required electrical rough in at time of order. The power cable will connect to the household incoming electrical at the junction box.



Knob Control-XK

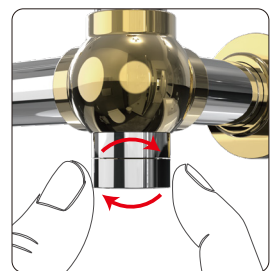
Knob Control on the bottom that can be used to turn the product on or off.

Electrical Diagram
For Integrated Control



EMB05 Required Electrical Rough-In. Please Consult The EMB05 Specification and Installation Manual.

Please specify required power cord length (-2, -15, -10, -15 meter) for EMB05 required electrical rough in at time of order. The power cable will connect to the household incoming electrical at the junction box.

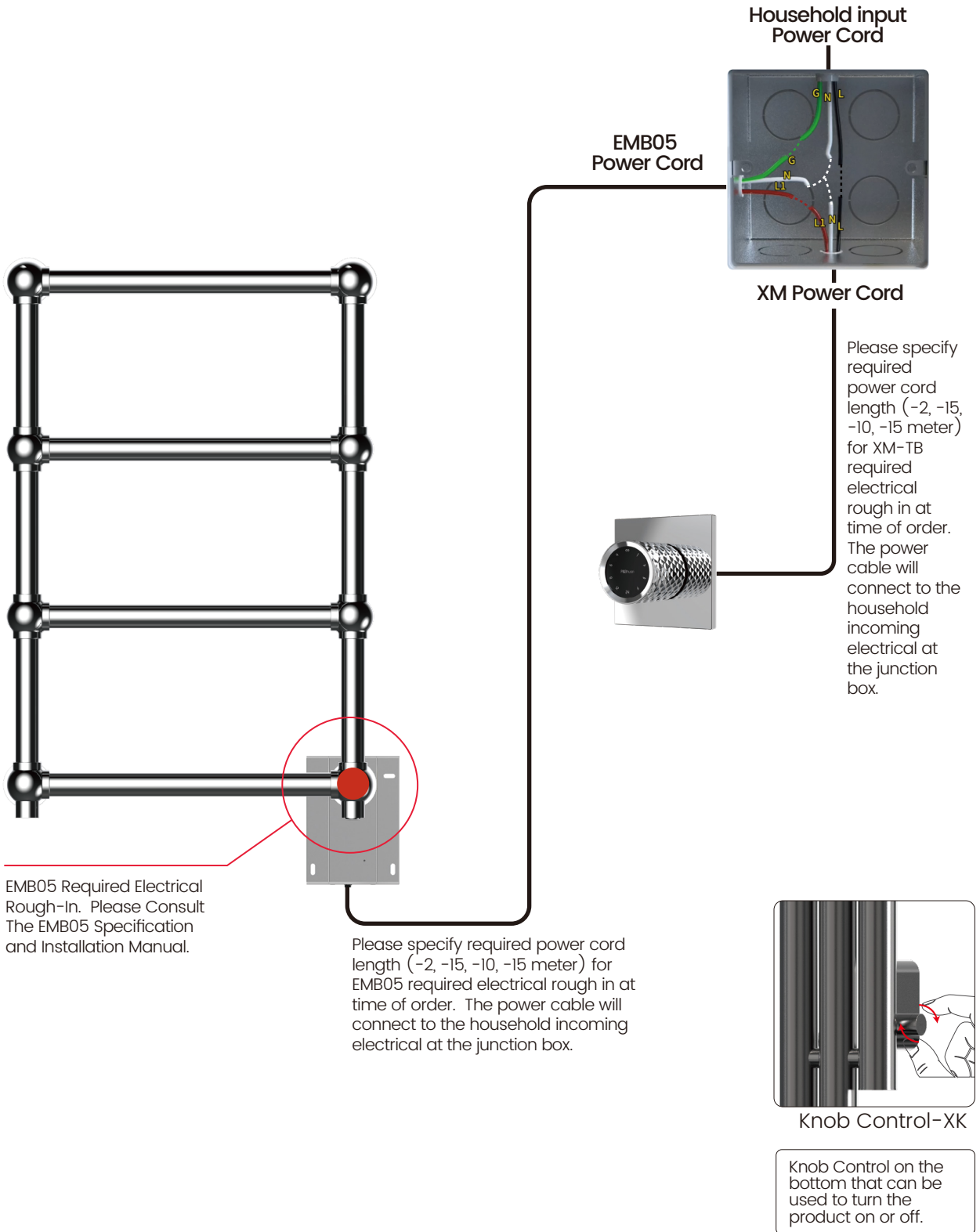


Knob Control-XK

Knob Control on the bottom that can be used to turn the product on or off.

Electrical Diagram

For Optional -XM Digital Metal Knob Control



Electrical Diagram

For Optional -XM Digital Metal Knob Control

