

G10

Electric Heated Towel Warmer

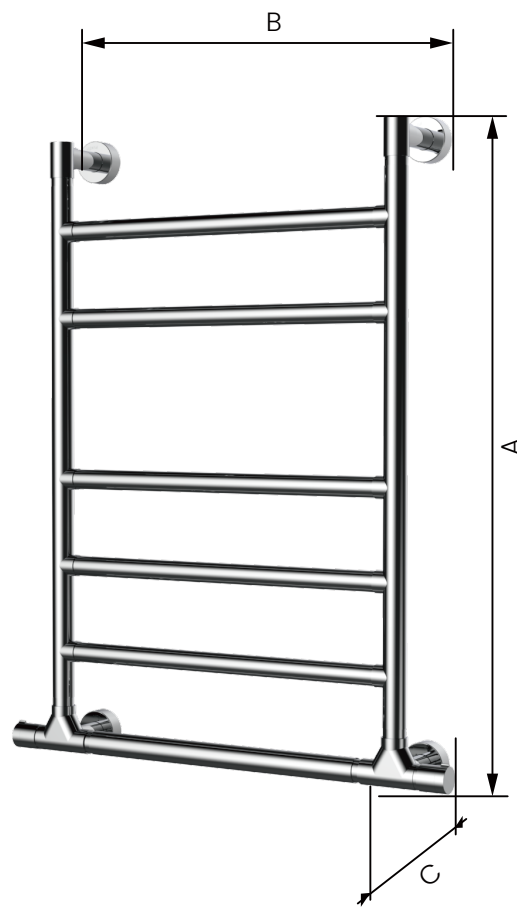


Model shown: G10-M-PBN-XK



Product Specification

This drawing is for design reference only. For specific drilling/hole positions, please refer to the actual product.	Products and specifications are subject to change without notice. Please contact customer service for Full Size Product Template.	Finish/Color
		Please refer to the PRICE CATALOG for all finishes/colors/control options.



G10-M

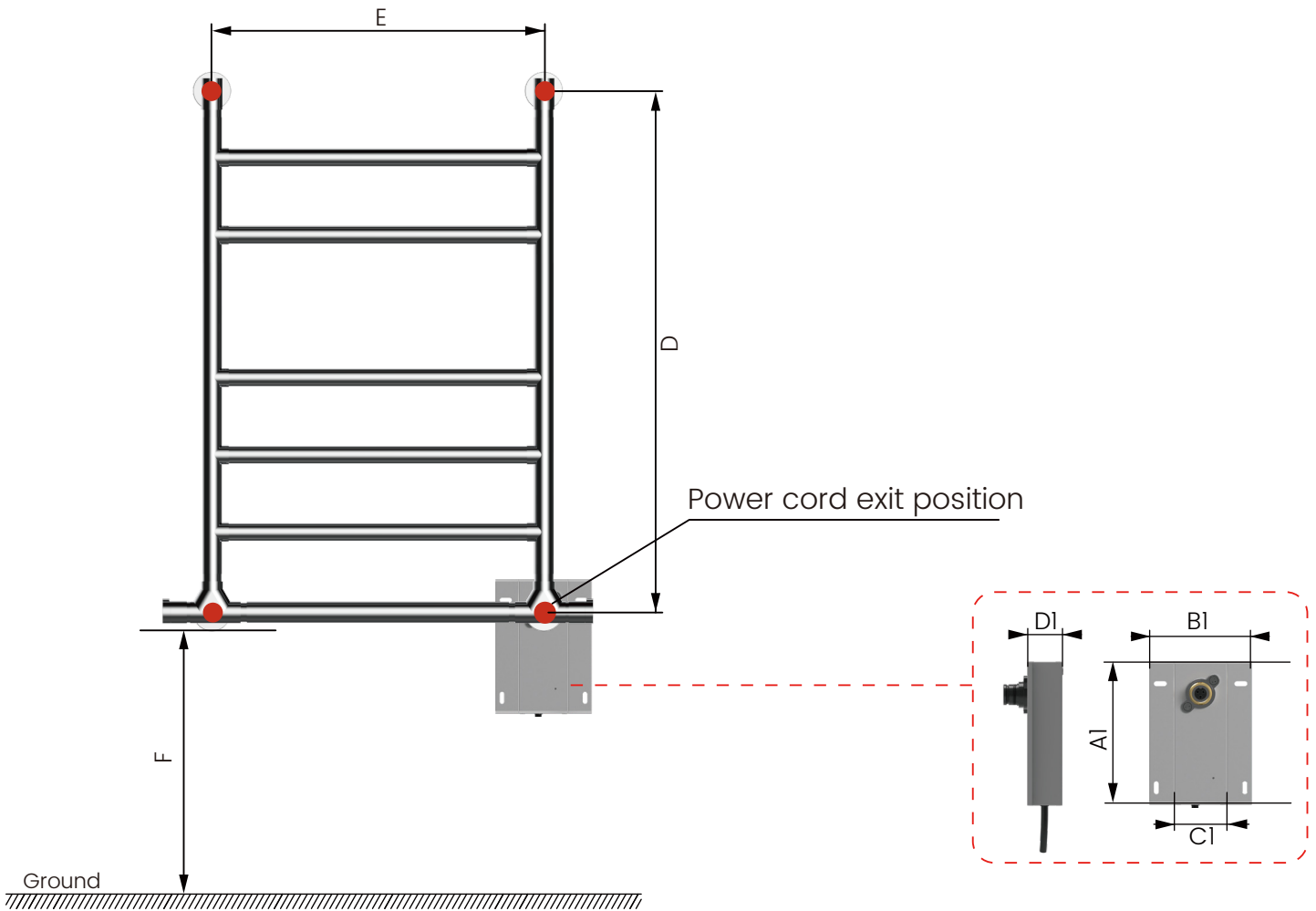
Tolerance on dimensions: $\pm 0.2"$ / $\pm 5\text{mm}$

MODEL	A	B	C
G10-M	31.5" 800mm	26.2" 665mm	4.7" 120mm

Model	G10-M
Package dimensions /in/mm	35.0x29.3x7.6"/890x743x193mm
Power/W	52
Net weight /kg	12.79lb/5.8kg

Mounting & Hole Layout

This drawing is for design reference only. For specific drilling/hole positions, please refer to the actual product.	Products and specifications are subject to change without notice. Please contact customer service for Full Size Product Template.	Finish/Color
		Please refer to the PRICE CATALOG for all finishes/colors/control options.



Stud Wall Installation

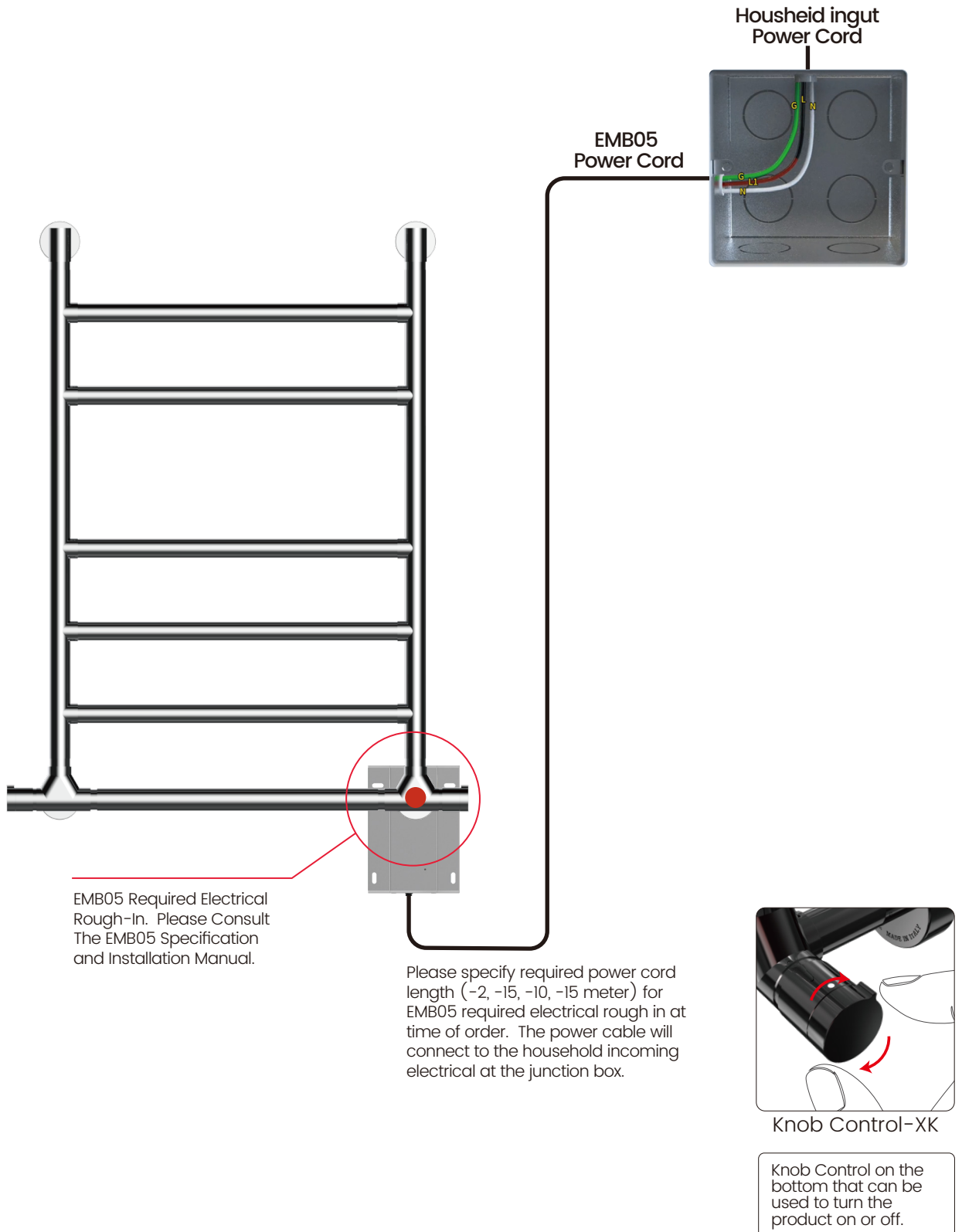
NOTE
The Rough Body Fixed Black Box Must Be Installed Flush With the Exterior Edge Of The Wood Studs/Cross Beams To Ensure Proper Rough-In Dimension.

NOTE The thickness of the finished wall application (including drywall, and tile, stone, etc..) should not be less than 0.5in/15mm and should not exceed 1.5in/40mm.

Tolerance on dimensions: $\pm 0.2''/\pm 5\text{mm}$

MODEL	D	E	F	A1	B1	C1	D1
GI0-M	29.2" 741mm	20.5" 520mm	37.4" 950mm	5.7" 145mm	4.1" 103mm	2.3" 58mm	1.4" 35mm

Electrical Diagram For Integrated Control



Electrical Diagram

For Optional -XM Digital Metal Knob Control

