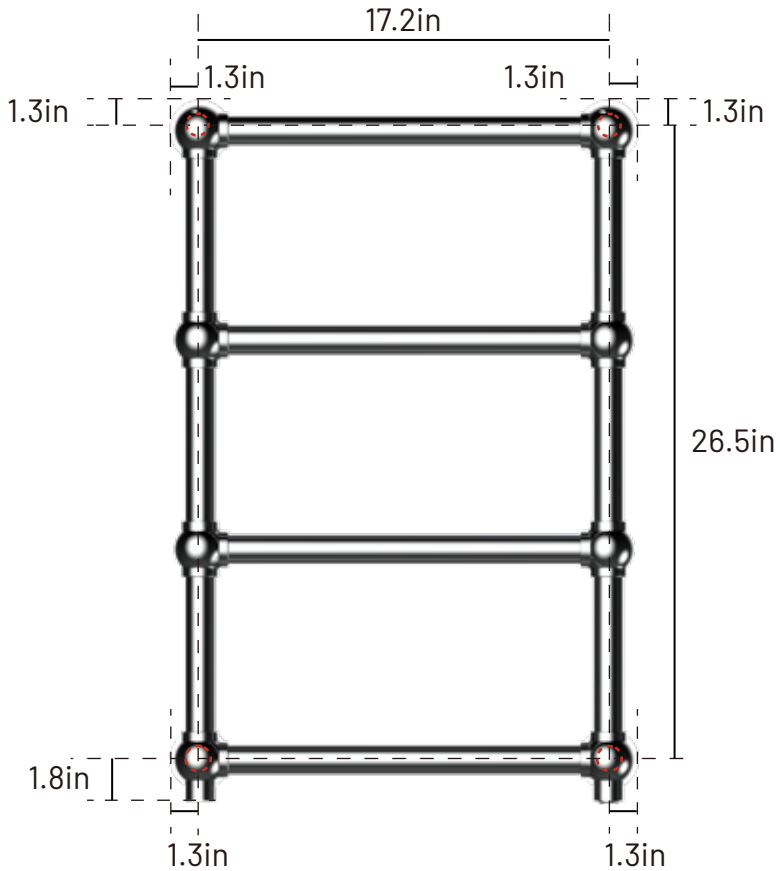


Installation Hole Layout Diagram

Product dimensions are for design reference only, and subject to change with notice.



Installation Hole Layout Diagram

Product dimensions are for design reference only, and subject to change with notice.

