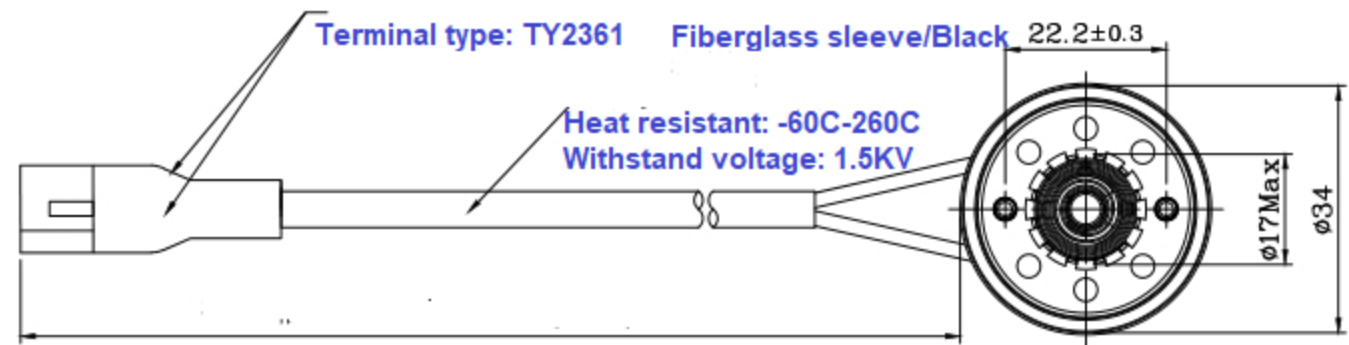
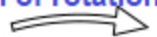


1. The picture shows the non-electrified state
2. Rotate 45 +/-3 degrees to the left
3. Rotate in the marked directions.

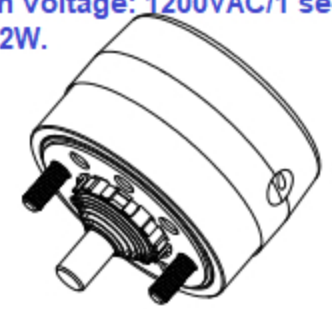
Rotary Standard degree : 25 or 45 degree,
As for other rotary degree, we can do it for your
need. the Tolernace is 3 degree.

Direction of rotation when electrified

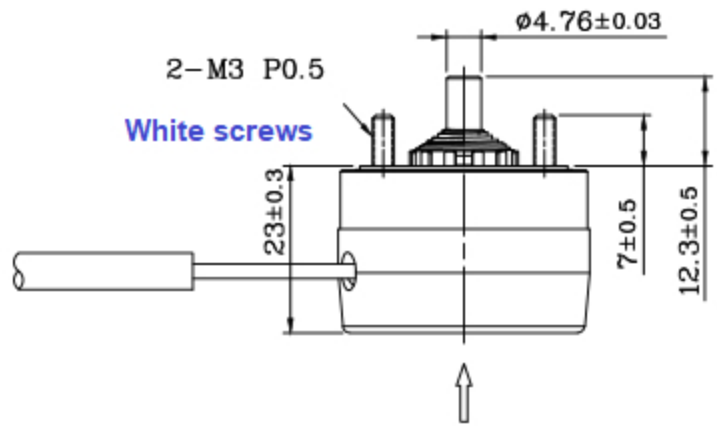


DC-8.4 V/ Starting torque 170 g*cm Min.
(no spring return force),spring return
force 110-170 g*cm; 12.5% Frequency
Resistance of coil: 8+/-10% ohms.
Rated voltage: DC 24V,Current: 3.0A
Insulation voltage: 1200VAC/1 sec
Power: 72W.

Lead Wire specification: UL1007/22AWG/white/long 710mm Min.



Scale 1:1



Identification Marks

Customer Confirmation: