



Guangzhou Zhuoyi Stage Lighting Technology Co., Ltd

www.zhuoyilight.com

About Us

Guangzhou Zhuoyi Stage Lighting Technology Co., Ltd is a professional stage lighting manufacturing enterprise with 16 years of profound experience. We focus on the research and development, production, and supply of stage lighting, with exquisite craftsmanship and excellent quality. The main production lines are outdoor moving head lights, LED moving head wash lights, moving head light, Led par lights, led studio lights, stage strobe light, led wall wash light, led blinder light, etc.

Throughout these 16 years of development, we have always adhered to technological innovation, continuously improving production technology and product quality. The company has advanced production equipment, a professional research and development team, and technical personnel. With advanced technology, excellent quality, stable performance, and first-class after-sales service, our products have been exported to more than 60 countries, receiving high recognition from customers and winning international reputation in the market.

Our products cover various stage lighting fixtures, lighting control systems, etc., and are widely used in various performances, conferences, exhibitions, and other occasions. We focus on the practicality and aesthetics of our products, striving to bring unique charm and atmosphere to each stage through precise lighting and shadow effects.

Guangzhou Zhuoyi Stage Lighting Technology Co., Ltd reputation is built on high-quality products, robust R&D, and extensive production expertise. We adhere to customer centricity, always pay attention to customer needs, and provide personalized customized services. We adhere to the principle of "quality first, service first" and provide customers with comprehensive support and solutions.

Looking forward to the future, we look forward to working with you to compose the brilliant chapter of stage lighting! Let our lights illuminate every corner of the world!

Contents

Page 01-05 LED Moving Head Light Series

Page 06-08 Moving Head Light Series

Page 09-12 LED Par Light Series

Page 13-14 LED Wall Wash Light Series

Page 15-16 LED Audience Blinder Light Series

Page 17 LED Strobe Light Series

Page 18-25 LED Fresnel Spot Light Series

Page 25-33 LED Soft Panel Light Series

Page 34-37 LED Profile Spot Light Series

Page 38-40 Control System Series



LED Moving Head Light Series

ZY-LM1915

19pcs 15W Bee Eye RGBW Zoom Wash Moving Head Light



- Voltage: AC100~240V 50/60HZ
- Power: 19*15W
- Lamp beads: 19pc 4in1 LED lamp beads
- Control mode: DMX512, self-propelled, master-slave, voice control, with RDM function.
- Channel: CH22, CH23, CH25, CH36, CH78, CH92, CH97, CH99, CH101
- Dimming: 32bit 0~100% linear dimming
- Strobe frequency: 1~30HZ
- Connection method: DMX512 input and output/power input and output.

ZY-LM3715

37pcs 25W RGBW Zoom Wash Moving Head Light



- Voltage: AC100V-240V 50/60HZ
- Lamp beads: 37x15W, 4in1 CED
- Control method: DMX512, self-propelled, master-slave, voice control, with RDM
- DMX channels: 37ACH, 21CH, 15CH, 10CH, 37BCH, 18CH, 25CH, 46CH
- Dimming: 32bit 0-100% linear dimming
- Strobe frequency: 1-30HZ
- Features: Shaking head + dyeing + focus adjustment
- Connection method: DMX512 input and output, AC power input and output
- Product size: 30*40*43cm
- Net weight: 13.15KG

LED Moving Head Light Series

ZY-LM1230

12pcs 30W Bee Eye RGBW Zoom Wash Moving Head Light



- Voltage: AC100V-240V 50/60HZ
- Power: 450W
- Lamp beads: 12x30W, 4in1 LED lamp beads
- Control method: DMX512, self-propelled, master-slave, voice control, with RDM
- DMX channels: CH21, CH23, CH71
- Dimming: 32bit 0-100% linear dimming
- Strobe frequency: 1-30HZ
- Features: Shaking head + dyeing + focus adjustment
- Appearance: high temperature plastic, metal, black
- Connection method: DMX512 input and output, AC

ZY-LM1940

19pcs 40W Bee Eye RGBW Zoom Wash Moving Head Light



- Voltage: AC100~240V 50/60HZ
- Power: 19*40W
- Lamp beads: 19pc 4in1 LED lamp beads
- Control mode: DMX512, self-propelled, master-slave, voice control, with RDM function.
- Channel: CH22, CH23, CH25, CH36, CH78, CH92, CH97, CH99, CH101
- Dimming: 32bit 0~100% linear dimming
- Features: Shaking head + dyeing + focus + pattern + rotation
- Strobe frequency: 1~30HZ
- Connection method: DMX512 input and output/power input and output.

LED Moving Head Light Series

ZY-LM740

7pcs 40W Bee Eye RGBW Zoom Wash Moving Head Light



- Voltage: AC100~240V 50/60HZ
- Power: 350W
- Lamp beads: 7pc 40W 4in1 LED lamp beads
- Control mode: DMX512, self-propelled, master-slave, voice control, with RDM function.
- Channel: CH21, CH49
- Dimming: 32bit 0~100% linear dimming
- Features: Shaking head + dyeing + flash + rotation
- Working temperature: -30 degrees ~ 50 degrees
- Strobe frequency: 1~30HZ
- Connection method: DMX512 input and output/power input and output.
- Product size: 30*23*38
- Net weight:5.9KG

ZY-LM150

150W LED Moving Head Light With LED Ring



- Light source power: LED module
- Lens peripheral fill light: 25 0.5W RGB 3in1 LEDs
- Color wheel: a color wheel, each color wheel consists of 13 color chips + white light;
- Pattern plate: 14 patterns + white circle effect;
- Prism: 12+6 prism
- Independent atomizer plate + colorful plate
- DMX channels: 22 DMX channels
- Lens set optical system, electric focus, beam angle 2.8°;
- Horizontal 540°, resolution 8Bit/16Bit;
- Vertical 270°, resolution 8Bit/16Bit;
- Overheating protection;
- Control mode: DMX512/master-slave/automatic, with RDM function

LED Moving Head Light Series

ZY-LMB300W

300W 3in1 Beam Spot Wash LED Moving Head Light



- Voltage: AC100-240V, 50/60Hz
- Power: 300W
- Light source: high power 250W white light LED light source
- Optical angle: 7°-21°
- Color temperature: 8300KLED
- 1 rotating gobo plate with 7 gobos + white light to achieve rotation, two-way water flow, and jitter effects
- Aperture: 5%-100% smoothly adjusted
- Dimming: electronic 0-100% linear dimming
- Magnification: 7°-21° focus linear amplification and fast strobe,
- Prism: 1 3-sided prism, can rotate independently in two directions
- Control channels: 18 channels
- RDM data bidirectional transmission overcurrent, overvoltage, and overheating protection

ZY-LMB300W-R

300W LED Moving Head Light With LED Ring



- Light source power: LED300w module
- Lens peripheral fill light: 31pc 0.5W RGB 3in1 LED
- Color wheel: a color wheel, each color wheel consists of 13 color chips + white light;
- Pattern plate: 14 patterns + white circle effect;
- Prism: 12+6 prism
- Independent atomizer plate + colorful plate
- DMX channels: 22 DMX channels
- Lens set optical system, electric focus, beam angle 2.8°;
- Horizontal 540°, resolution 8Bit/16Bit;
- Vertical 270°, resolution 8Bit/16Bit;
- Control mode: DMX512/master-slave/automatic; with RDM function

LED Moving Head Light Series

ZY-LMB400W

400W 3in1 Beam Spot Wash LED Moving Head Light



- Input voltage: AC110V-240V/50-60HZ
- Light source specifications: 400W white LED module
- Lumens illumination: 80000 lm at 4 meters
- Channel mode: 22 channels
- Dimming system: 0-100% linear adjustment
- Magnification angle: 4-35 degrees
- High-speed strobe: 0-30 times/second. Adjustable speed strobe effect. Strobe macro function
- Color: 12 colors + white light. Color half-color function
- Color system: independent CMY+CTO color mixing system.
- Fixed pattern: 12 fixed patterns + white light
- Control signal: international standard DMX512. With RDM function, online software upgrade, dial address code
- Working environment: -20 degrees -40 degrees
- Protection level: IP20

ZY-FLM500W

500W LED Framing Moving Head Light



- Voltage/frequency: AC100-240V 50/60Hz
- Rated power: 500W
- Light angle: 3.8-35 degrees
- Control channel mode: 23 channels/27 channels
- Operation mode: self-propelled, master-slave, DMX512, RDM, voice control
- Color wheel: one with 13+1 colors, one with color temperature adjustment, and some CMY effects
- Focusing and magnification: using guide rail slider, good linearity, large focus and magnification, smooth and without jitter
- XY axis: X axis 540 degrees, Y axis 270 degrees, two modes available: 8bit and 16bit
- Protection level: IP20

Moving Head Light Series

ZY-Mini230W

Mini 230W Moving Head Beam Light With LED Ring



- Input voltage: AC100V-240V 50/60HZ
- Halo light strip: 30pc LED imported lamp bead light source, segmented control of horse racing and flowing water patterns
- Light source: Use 230W bulb
- Beam angle: 3.8°
- DMX channel: 16CH/20CH
- Control mode: voice control, self-propelled, master-slave, DMX512
- Color wheel: 13 colors + white light
- Pattern plate: 17 patterns + white light
- Prism: single prism (8+16)
- Focus adjustment: high-definition electronic focus
- Dimming: 0-100% linear dimming
- Protection level: IP20
- Net weight: 10.8KG

ZY-MH295W

295W Moving Head Beam Light With LED Ring



- Input voltage: AC100V-240V50/60H2
- Rated power: 450W
- Halo light strip: 30pc LED imported lamp bead light source, segmented control of horse racing and flowing water patterns
- Control channels: 16 DMX channels
- Operating mode: voice control, self-propelled, master-slave, DMX512
- Color wheel: 14 colors + white light Colorful colors: six-color effect Fixed pattern: 13 patterns + white light
- Prism: two independent prism disks, 8 prism + honeycomb prism (8+16+24) double prism
- Dimming: 0-100% linear dimming
- Horizontal/vertical: 540° horizontal scan, 270° vertical scan
- Protection level: IP20

Moving Head Light Series

ZY-MH350B

350W 3in1 Moving Head Spot Light



- Power supply: AC110-240V, 50/60Hz power 600W
- Light source: 350W
- Dimming:: 0-100% linear adjustment
- Strobe:: Double-chip strobe (0.5-9 times/second)
- Beam angle:: 2 degrees-3.8 degrees
- Optical lens:: High-precision glued optical lens combination
- Color: 1 fixed color wheel, 13 colors + white light, rainbow effect speed adjustable, half-step color effect
- Fixed pattern: 1 fixed pattern plate, 14 patterns + white light, can rotate with variable speed in both directions
- Horizontal scan: 540 degrees (160bit precision scan) electronic error correction.
- Vertical scanning: 270 degrees (160bit precision scanning) electronic error correction.
- Channel mode: 20CH; DMX512, master-slave mode.

ZY-MH350A

350W Moving Head Beam Light



- Input voltage: AC100V-220V 50/60H2
- Rated power: 500W
- Beam angle: 0-10°
- Control channels: 16 DMX channels
- Operating mode: voice control, self-propelled, master-slave, DMX512, RDM
- Color wheel: 13 colors + white light
- Fixed pattern: 13 patterns + white light
- Prism: two independent prism disks, 8 prisms + honeycomb prisms (8+16+24) double prisms can be superimposed
- Focus adjustment: dual motor HD focusing
- Dimming: 0-100% linear dimming
- Horizontal/vertical: 540° horizontal scan, 270° vertical scan
- Protection level: IP20

Moving Head Light Series

ZY-MH380A

380W Moving Head Beam Light



- Input voltage: AC100V-220V 50/60HZ
- Light source: 380
- Beam angle: 0-10°
- Control channels: 16 DMX channels
- Operating mode: voice control, self-propelled, master-slave, DMX512, RDM
- Color wheel: 13 colors + white light
- Fixed pattern: 13 patterns + white light
- Prism: two independent prism disks, 8 prisms + honeycomb prisms (8+16+24) double prisms can be superimposed
- Focus adjustment: dual motor HD focusing
- Dimming: 0-100% linear dimming
- Horizontal/vertical: 540° horizontal scan, 270° vertical scan
- Protection level: IP20

ZY-MH440B

440W 3in1 Moving Head Spot Light



- Power supply: 100~240V, 50/60Hz;
- Light bulb:: Philips bulb 380W/Ulight 380W;
- Color temperature: 3200K, 5600K;
- Horizontal: 540°;
- Vertical: 270°;
- Dimming/stroboscopic: 0%~100% smooth dimming, multiple speed stroboscopic effect color palette;
- Color wheel: 2 color wheels, each with 11 colors plus white two-way rainbow effect;
- Pattern plate: 2 pattern plates: 1 fixed pattern plate with 14 patterns plus white circles, 1 pull-out pattern plate with 9 wave patterns;
- DMX signal input/output: 3-core XLR signal cable interface;
- Protection level: IP20.

LED Par Light Series

ZY-LP1818

18pcs 18W RGBWAUV 6in1 LED Outdoor Zoom Par Light



- LEDs: 18pcs 18W RGBWAUV 6in1 LED Lamps
- Color: RGBWAUV colorful
- Beam angle: 10-60°
- Dimmer: linear dimmer 0-100%
- Strobe: 1-25time/s
- Control mode: DMX-512; Master/slave mode; Demo mode; Sound active
- DMX channel: 7CH, 10CH
- Maximum ambient temperature: 45 °C (113 °F)
- Maximum surface temperature: 170 °C (338 °F)
- Power supply: Electronic auto-ranging
- Input voltage range: AC90-240V, 50/60Hz
- Power consumption: 270W
- Weight: 4.5kg

ZY-LP1515Z

15pcs 15W RGBW 4in1 LED Outdoor Zoom Par Light



- LEDs: 15pcs 15W RGBW 4in1(R: 3W, G: 4W; B: 4W; W: 4W) LED Lamps
- Color: RGBW color mixing
- Beam angle: 10-60°
- Dimmer: linear dimmer 0-100%
- Strobe: 1-25time/s
- Control mode: DMX-512; Master/slave mode; Demo mode
- DMX channel: 11CH
- Maximum ambient temperature: 45 °C (113 °F)
- Maximum surface temperature: 170 °C (338 °F)
- Power supply: Electronic auto-ranging
- Input voltage range: AC90-240V, 50/60Hz
- Power consumption: 200W
- Material: aluminium die casting
- IP rating: IP67

LED Par Light Series

ZY-LPI1818

18pcs 18W RGBWAUV 6in1 Indoor LED Par Light



- LEDs: 18pcs 18W RGBWAUV 6in1 LED Lamps
- Color: RGBWAUV colorful
- Beam angle: 25°(45°/60° optional)
- Dimmer: linear dimmer 0-100%
- Strobe: 1-25time/s
- Control mode: DMX-512; Master/slave mode; Demo mode; Sound active
- DMX channel: 12CH
- Control panel: digital display + 4 buttons
- Maximum ambient temperature: 45 °C (113 °F)
- Maximum surface temperature: 170 °C (338 °F)
- Power supply: Electronic auto-ranging
- Input voltage range: AC90-240V, 50/60Hz
- Power consumption: 200W

ZY-LP189

9pcs 18W 6in1 Outdoor LED Par Light



- LEDs: 9pcs 18W 6in1 RGBWAUV LED Lamps
- Color: colorful
- Beam angle: 15°/25°/40° Optional
- Dimmer: linear dimmer 0-100%
- Strobe: 1-25time/s
- Control mode: DMX-512; Master/slave mode; Demo mode; Sound active
- DMX channel: 5CH/9CH
- Maximum ambient temperature: 45 °C (113 °F)
- Maximum surface temperature: 170 °C (338 °F)
- Power supply: Electronic auto-ranging
- Input voltage range: AC90-240V, 50/60Hz
- Power consumption: 130W
- Material: aluminum die casting
- IP rating: IP65

LED Par Light Series

ZY-LP740

7pcs 40W 4in1 Outdoor LED Par Light



- LEDs: 7pcs 40W RGBW 4in1 LED lamp
- Color: RGBW 4in1 color mixing
- Beam angle: 5-45° zoom range
- Dimmer: 0-100 linear dimmer
- Strobe: 1-25time/s
- Effects: create infinite motion, infinite color changes
- Control mode: DMX-512,RDM,Master/slave,auto
- DMX channel: 13CH
- Maximum ambient temperature: 45 °C (113 °F)
- Maximum surface temperature: 170 °C (338 °F)
- Input voltage range: AC90-240V, 50/60Hz
- Power consumption: 300W
- Material: Aluminum die casting
- IP rating: IP65

ZY-LPI543

53pcs 3W RGBW 4in1 Indoor LED Par Light



- LEDs: 54pcs 3W RGBW LED lamps
- Color: colorful
- Beam angle: 25°
- Dimmer: linear dimmer 0-100%
- Strobe: 1-25time/s
- Control mode: DMX-512; Master/slave mode; Demo mode; Sound active
- DMX channel: 9CH
- Maximum ambient temperature: 45 °C (113 °F)
- Maximum surface temperature: 170 °C (338 °F)
- Power supply: Electronic auto-ranging
- Input voltage range: AC90-240V, 50/60Hz
- Power consumption: 120W
- Material: die casting auminum
- IP rating: IP20

LED Par Light Series

ZY-LP200W

200W DMX Zoom Focusing Outdoor LED Par Light



- LED: 1pcs 200W Citizen COB lamp
- Color: warm white/cold white/4in1
- Dimming: 0-100% linear dimming
- Beam angle: 15°-60°
- Control mode: DMX512, RDM, master-slave, self-propelled
- Strobe: 1-25/S high-speed electronic strobe
- Input voltage: AC100-240V, 50HZ-60HZ
- Power consumption: 250W
- Shell material: aluminum alloy
- Protection level: IP65
- Environmental temperature: -25-40°C
- Cooling system: forced cooling fan / heat sink
- Lamp body size: 296*220*436mm
- Net weight: 7.5kg

ZY-LPI1915

19pcs 15W 4in1 Indoor LED Par Light



- LEDs: 19pcs 15W RGBW 4in1 LED lamp
- Color: RGBW 4in1 color mixing
- Beam angle: 10-60° zoom range
- Dimmer: 0-100 linear dimmer
- Strobe: 1-25time/s
- Optimal projection distance: 3-20m
- Effects: create infinite motion, infinite color changes
- Control mode: DMX-512; Master/slave mode; Demo mode; Sound active
- DMX channel: 5CH, 7CH, 8CH
- Control panel: digital tube display + 4 buttons
- Maximum ambient temperature: 45 °C (113 °F)
- Maximum surface temperature: 170 °C (338 °F)
- Input voltage range: AC90-240V, 50/60Hz
- Power consumption: 300W

LED Wall Wash Light Series

ZY-LW1810

18pcs 10W 4IN1 LED Wall Wash Light



- LEDs: 18pcs 10W RGBW 4in1 LED lamps
- Color: colorful
- Beam angle: 15°25°35°40°60° optional
- Dimmer: linear dimmer 0-100%
- Strobe: 1-25time/s
- Effects: Color mixing, color running, every lamps' every color can be controlled individually
- Control mode: DMX-512; Master/slave mode; Demo mode
- DMX channel: 7CH
- Maximum ambient temperature: 45 °C (113 °F)
- Maximum surface temperature: 170 °C (338 °F)
- Input voltage range: AC90-240V, 50/60Hz
- Power consumption: 200W
- Material: Aluminum die casting
- IP rating: IP65

ZY-LW243

24pcs 3W 4IN1 LED Wall Wash Light



- LEDs: 24pcs 3in1 led lamps
- Color: RGB 3in1, colorful mixing
- Beam angle: 15°25°35°40°60° optional
- Dimmer: 0-100% linear
- Strobe: 1-25t/s
- Effects: color mixing, fade change, built-in program
- Control mode: DMX-512; Master/slave mode; Auto-run
- DMX channel: 7CH
- Control panel: digital tube display + 4 buttons
- Maximum ambient temperature: 45 °C (113 °F)
- Maximum surface temperature: 170 °C (338 °F)
- Input voltage range: AC90-240V, 50/60Hz
- Power consumption: 100W
- Material: Aluminum die casting
- IP rating: IP65

LED Wall Wash Light Series

ZY-LW9610

96pcs IP65 LED Wall Washer Light City Color



- LED: 96pcs RGBW LED
- Color:RGBW
- Voltage:AC100-240V 50-60Hz
- Power :800W
- Zoom range: 15°25°35°40°60° optional
- Dimmer: 0-100% linear dimmer
- Strobe: 1-25 times/second
- Control:DMX512
- Channels: 4/8CH
- Housing Material: Die-cast aluminum
- Housing Color: Black
- Power connection :IP65 power cord in/out
- Data connection: IP65 DMX in/out
- Working temperature: -25-40°C
- IP rate: IP65

ZY-LW1205

120pcs 10W LED City Color Wall Wash Flood Spot Light



- LED: 120pcs RGBW LED
- Voltage:AC100-240V 50-60Hz
- Power :960W
- Zoom range: 15°25°35°40°60° optional
- Dimmer: 0-100% linear dimmer
- Strobe: 1-25 times/second
- Control:DMX512
- Channels: 4/8CH
- Power connection :IP65 power cord in/out
- Data connection: IP65 DMX in/out
- Working temperature: -25-40°C
- IP rate: IP65
- Net weight: 15kg

ZY-AB400W

4*100W Audience Led Blinder Light for Stage



- LED: 4 x 100W COB LED
- Light color: warm white (100w), cool white (100w)
- Color Rendering Index(CRI): Ra≥90
- SupplyVoltage :AC100V-240V 50-60HZMax
- Power: 400W
- Dimmer: 0-100% linearly adjustable
- Beam Angle: 30 degree
- Strobe effect: Variable speed (1-30Hz)
- Refresh rate:11700Hz! 100% Flicker Free for film and Tv camera
- Color effect feature: with individual control effect
- Control mode: DMX512,Master/Slave, Auto Run, Stand alone, Sound active
- DMX Channel: 7CH(single color),
- IP Grade: IP20

ZY-AB200W

2*100W Audience Led Blinder Light for Stage



- LED: 2 x 100W COB LED
- Light color: warm white (100w), cool white (100w)
- LED Life Time: over 50,000 hours
- Color Rendering Index(CRI): Ra≥90
- SupplyVoltage :AC100V-240V 50-60HZMax
- Power: 200W
- Dimmer: 0-100% linearly adjustable
- Beam Angle: 30 degree
- Strobe effect: Variable speed (1-30Hz)
- Refresh rate:11700Hz! 100% Flicker Free for film and Tv camera
- Control mode: DMX512,Master/Slave, Auto Run, Stand alone, Sound active
- DMX Channel: 2CH(single color),
- IP Grade: IP20

ZY-AB400W-IP65

4*100W Outdoor Audience Led Blinder Light for Stage



- LED: 4pcs 100W Warm white/cold white/bi-color LED lamp
- Color: warm white/cold white/bi-color
- Beam angle: 45degree
- Dimmer: 0-100% linear dimmer
- Strobe: 1-25 times/second
- Optimal projection distance: 3-30m
- Control mode:DMX-512; Master/slave mode; Demo mode; Sound active
- DMX channel: 1CH, 4CH, 9CH
- Display of control panel: digital tube+4 buttons
- Related voltage: AC100V-240V, 50/60Hz
- Related power: 450W
- Working temperature: -25-40°C
- Cooling: waterproof Fan
- Protection rating: IP65

ZY-AB400W-B

4*100W Audience Led Blinder Light for Stage



- LEDs: 4pcs 100W COB LED lamps
- Color: cold white or warm white
- Service life: 500000h
- Beam angle: 45°
- Dimmer: linear dimmer 0-100%
- Strobe: 1-25time/s
- Control mode: DMX-512; Master/slave mode; Demo mode; Sound active
- DMX channel: 8CH
- Maximum ambient temperature: 45 °C (113 °F)
- Maximum surface temperature: 170 °C (338 °F)
- Power supply: Electronic auto-ranging
- Input voltage range: AC90-240V, 50/60Hz
- Power consumption: 400W
- IP rating: IP20

LED Strobe Light Series

ZY-LS1000W

1000w RGBW Waterproof Super LED Strobe Light



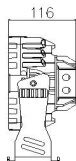
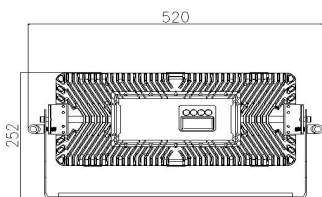
- LED: 1320pcs RGBW SMD LEDs
- Color: RGBW color mixing
- Beam angle: 120degree
- Dimmer: 0-100% linear dimmer
- Strobe: 1-25 times/second
- Illuminance: 14500 Lux at 1m
- Optimal projection distance: 3-45m
- Control mode: DMX 512; Master and slave; Auto-run
- DMX channel: 4CH; 5CH; 7CH; 13CH; 15CH
- Display of control panel: digital tube + 4 buttons
- Related voltage: AC100V-240V, 50/60Hz
- Related power: 1000W
- Cooling: Aluminum radiator, and mute Fan within 68db
- Protection rating: IP65
- Net work: artnet net work, can use the artnet signal control

ZY-LS300W

300w RGB Waterproof LED Strobe Light



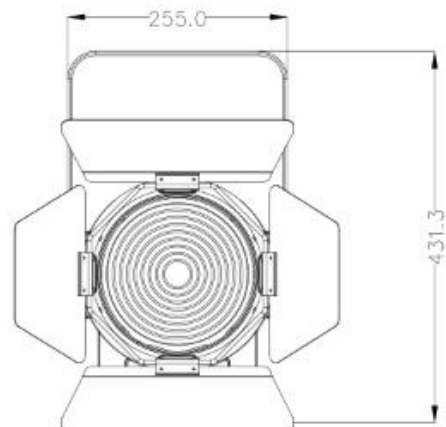
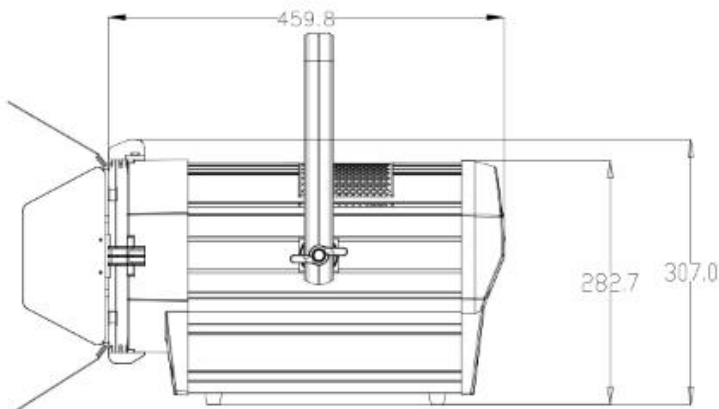
- LED: 864 pcs 0.3W.RGB+96 pcs 3W white
- Color: RGB+ white
- Beam angle: 120degree
- Dimmer: 0-100% linear dimmer
- Strobe: 1-25 times/second
- Display means: ≥ 90
- Optimal projection distance: 3-15m
- Control mode: DMX512, self-propelled, master-slave, voice-controlled, with RDM function.
- DMX channel: 4CH; 16CH; 46CH;
- Display of control panel: digital tube + 4 buttons
- Related voltage: AC100V-240V, 50/60Hz
- Related power: 400W
- Protection rating: IP65



LED Fresnel Spot Light Series

ZY-FSL200W

200W Fanless LED Studio Fresnel Spot Light



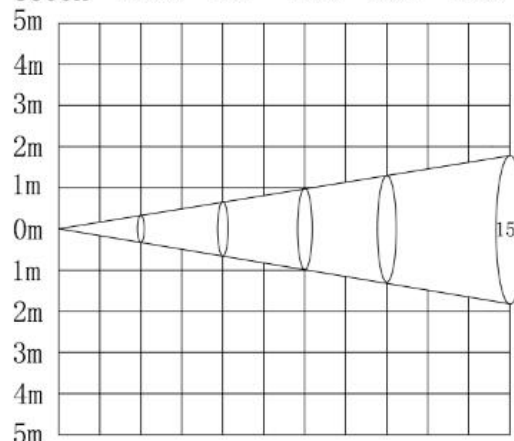
LED Fresnel Spot Light Series

ZY-FSL200W

200W Fanless LED Studio Fresnel Spot Light

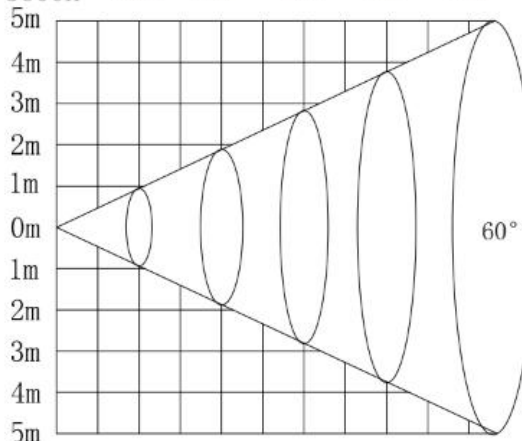
- LED: 1pc 100W High CRI LED Lamps
- Color: from warm white to cold white
- Beam angle: 15-60degree
- Dimmer: 0-100% linear dimmer
- Frequency of dimmer: 24K flick free light source dimmer system
- CRI: $R_a \geq 95$
- Special CRI: $R_9 \geq 90$, $R_{15} \geq 90$
- Control mode: DMX-512; Auto run
- DMX channel: 4CH, 5CH
- Related voltage: AC100V-240V, 50/60Hz
- Body dimension: D456*W236*H166mm
- Net weight: 4kg

LUX	3200K	25139	6019	2605	1655	1150
CRI: ≥ 95	5600K	28988	7385	3203	1850	1220



Distance m 0 2m 4m 6m 8m 10m

LUX	3200K	2799	738	368	186	126
CRI: ≥ 95	5600K	2990	856	385	195	144

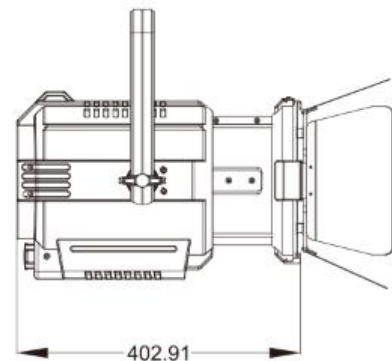
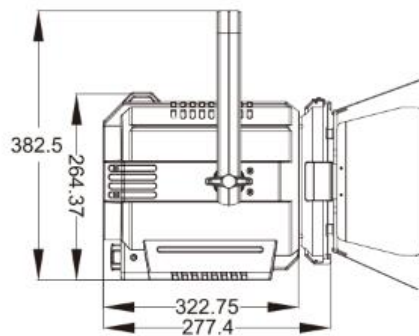
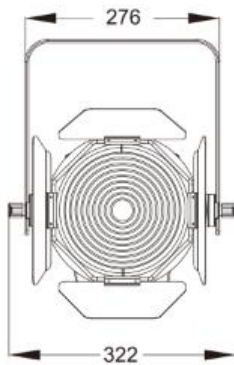


Distance m 0 2m 4m 6m 8m 10m

LED Fresnel Spot Light Series

ZY-FSL200W-C

New Designed 200W LED Fresnel Spot Light



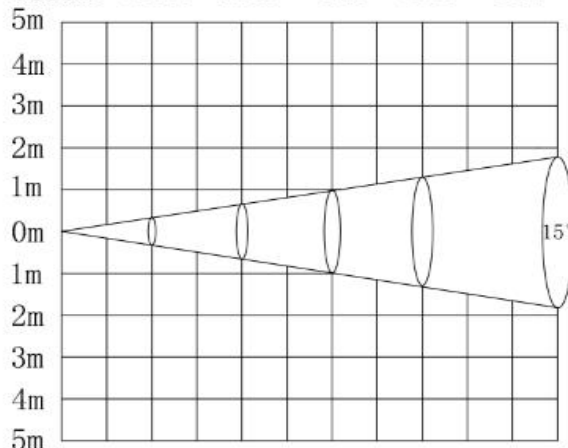
LED Fresnel Spot Light Series

ZY-FSL200W-C

New Designed 200W LED Fresnel Spot Light

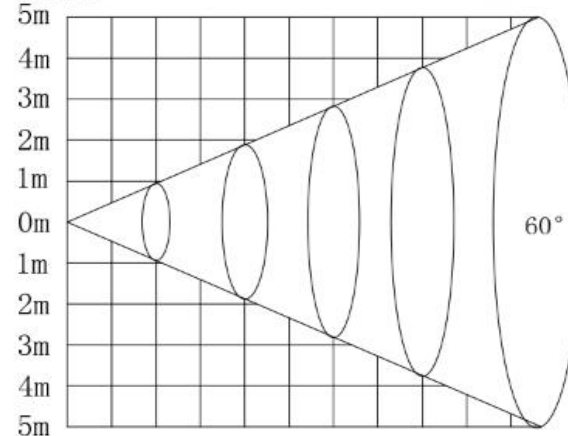
- LED: 1pc 200W COB LED Lamps
- Color: CW, WW optional
- Beam angle: 15-60degree
- Dimmer: 0-100% linear dimmer
- CRI: $\geq 97Ra$
- TLCI: ≥ 95
- Control mode: DMX-512; Auto run
- DMX channel: 1CH, 2CH
- Related voltage: AC100V-240V, 50/60Hz
- Body dimension: D309*W321*H266mm
- Net weight: 7.5kg

LUX	3200K	25139	6019	2605	1655	1150
CRI: ≥ 95	5600K	28988	7385	3203	1850	1220



Distance m 0 2m 4m 6m 8m 10m

LUX	3200K	2799	738	368	186	126
CRI: ≥ 95	5600K	2990	856	385	195	144

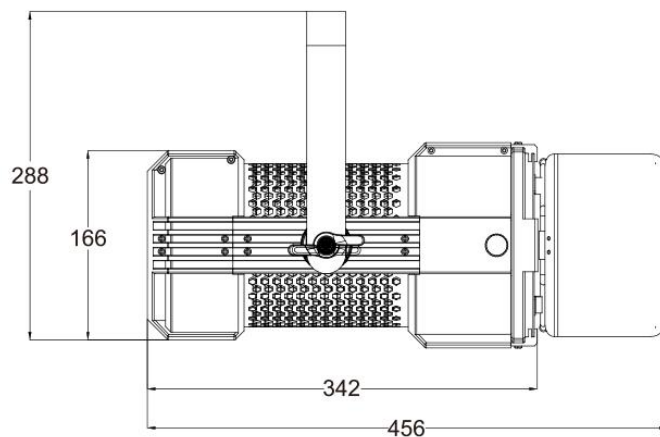
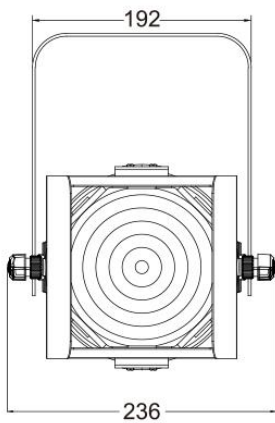


Distance m 0 2m 4m 6m 8m 10m

LED Fresnel Spot Light Series

ZY-FSL100W

New Designed 100W LED Fresnel Spot Light



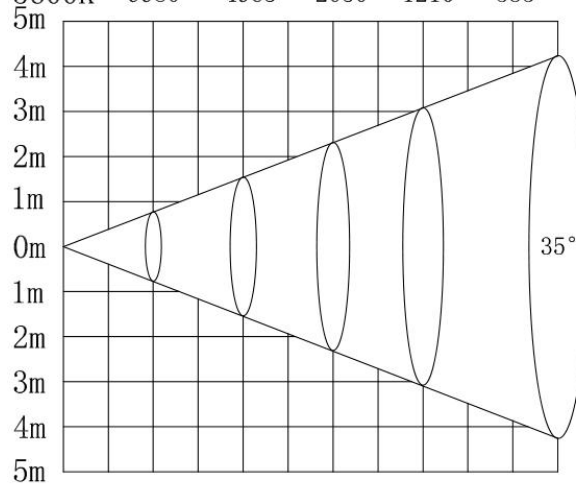
LED Fresnel Spot Light Series

ZY-FSL100W

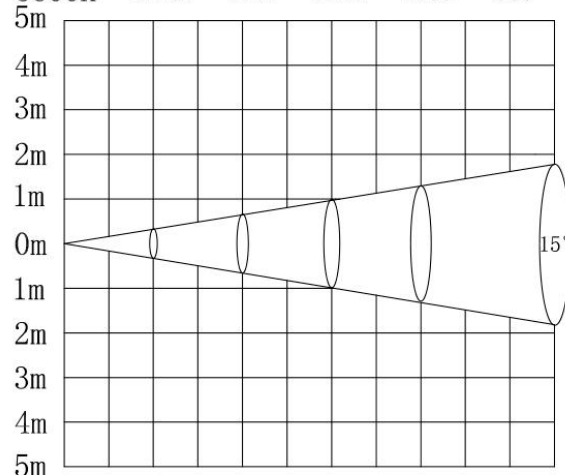
New Designed 100W LED Fresnel Spot Light

- LED: 1pc 100W bicolor LED Lamps
- Color: from warm white to cold white, warm white or cold white
- Beam angle: 15-35degree
- Dimmer: 0-100% linear dimmer
- Frequency of dimmer: 24K flick free light source dimmer system
- CRI: Ra≥95
- Special CRI: R9≥90, R15≥90
- Optimal projection distance: 3-5m
- Control mode: DMX-512; Auto run
- DMX channel: 4CH, 5CH
- Related voltage: AC100V-240V, 50/60Hz

3200K	9580	4820	1965	1150	520
5600K	9980	4965	2050	1210	535



Distance m	0	2m	4m	6m	8m	10m
3200K		11954	3472	1586	1080	798
5600K		17798	4760	2156	1265	865



Distance m	0	2m	4m	6m	8m	10m
------------	---	----	----	----	----	-----

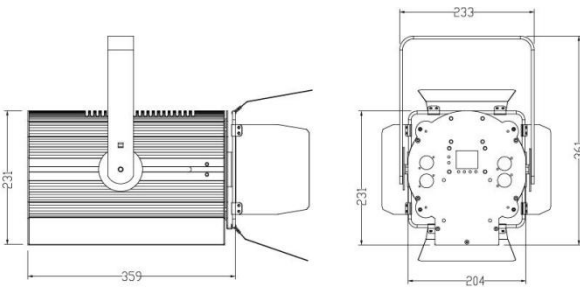
LED Fresnel Spot Light Series

ZY-FSL300W-C

300W Auto Zoom LED Bi-Color Fresnel Spot Light



- Lamp beads: Bi-color COB 300W LED
- Lifespan: about 50000 hours
- Color: from warm white to cold white/RGBW
- Operation mode: DMX mode, master-slave mode
- DMX channel: 5 channels
- CRI: Ra>95
- Lens angle:AUTO ZOOM15-50°
- Dimming: 16BT linear dimming 0~100%
- Strobe: 0~25/sec
- Rated voltage: AC100/240V, 50/60Hz
- Rated power: 350W
- Best projection distance: 4-30 meters
- Protection class: IP20



ZY-FSL60W

60W Mini Led Fresnel Spot Light TV Studio Light



- LED Lamp: Imported LED
- Color Rendering Index(CRI): Ra≥90
- Light Color: single WW / CW / 2in1 / 4in1
- Voltage :AC100V-240V 50-60Hz
- Max.power: 60W
- Beam angle: Zoom from 35°to 50°
- Focus: Can be adjusted by hand
- Dimmer: 0~100% linearly adjustable
- Strobe: 1-25times/sec
- Control System: DMX512, mater and slave, auto running, sound mode
- DMX Channels:1/3CH(single color), 2/5CH(2in1), 4/8CH(4in1)
- Cooling system: No noise fan
- IP Grade: IP20

LED Fresnel Spot Light Series

ZY-FSL400W-C

5in1 Colorful Fanless LED Fresnel Spot Light



- LED: 1pc 400W RGBAL 5in1 colorful COB LED Lamps
- Color: RGBAL color mixing
- Beam angle: 15-60degree
- Dimmer: 0-100% linear dimmer
- CRI of white: Ra>92
- Color temperature: 3200K-5600K
- Total mixing color output: 200W (The fanless light need care about the radiating of light)
- Control mode: DMX-512; Auto run
- DMX channel: 8CH
- Related voltage: AC100V-240V, 50/60Hz
- Related power: 240W
- Cooling: copper tube convector, no fan

ZY-SPL200W

200W Bicolor LED Soft Video Panel Light For Studio

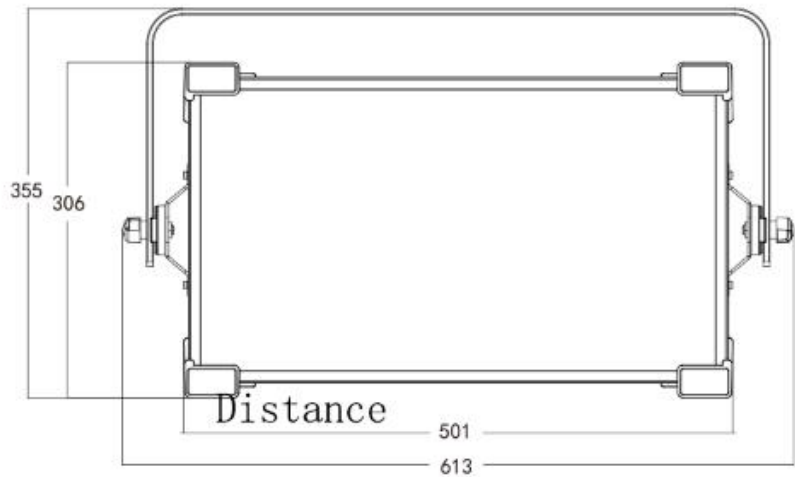
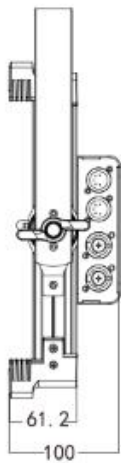
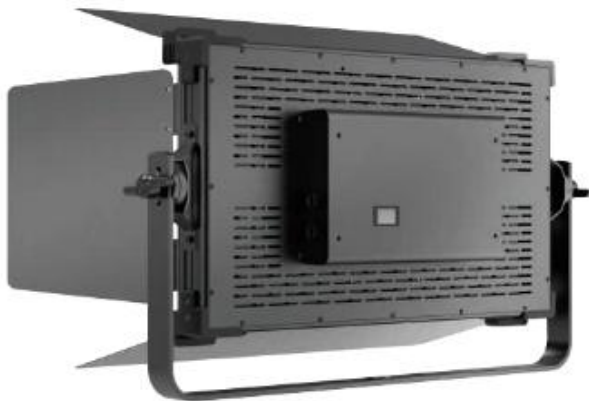


- LED POWER: 1920pcs * 0.2W
- LED Color: 3000K - 6000K
- Color Rendering Index(CRI): Ra≥95
- Voltage: AC100-240V 50-60Hz
- Max.power : 220W
- Angle: 180°
- Dimmer: 10~100% linearly adjustable
- Dimming Curve: 4 kinds
- Dimming Frequency: 500HZ - 25000HZ optional
- Light body: Die casting Aluminum
- Control Protocol: DMX /RDM
- Control System: DMX, Auto run and Master/Slave
- DMX Channels: 2CH
- Cooling system: No noise fan
- IP Grade: IP20

LED Soft Panel Light Series

ZY-SPL200W-C

200W Bicolor LED Soft Video Panel Light



LED Soft Panel Light Series

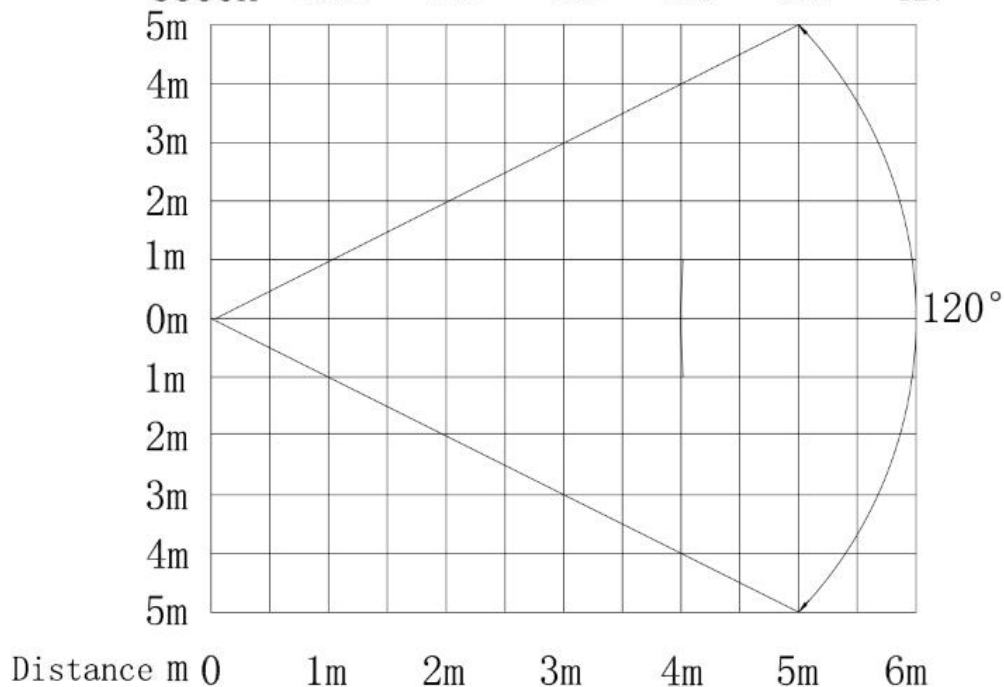
ZY-SPL200W-C

200W Bicolor LED Soft Video Panel Light

- LED: equips 576pcs warm white and 576pcs 5835 Edison LED lamp
- Color temperature: 3200k-5600k adjustable
- Beam angle: 120degree
- Dimmer: 0~100% linear dimmer
- CRI: Ra≥95
- Light output power: every color 200W-190W
- DMX channel: 1CH, 2CH
- Control mode: DMX-512, Demo mode, Manual
- Related voltage: AC100V-240V, 50/60Hz
- Body dimension: D613*W355*H100mm
- Net weight: 5.5kg

CRI ≥ 95
LUX

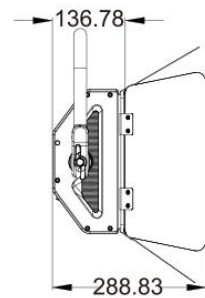
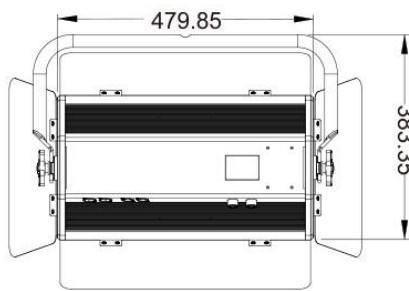
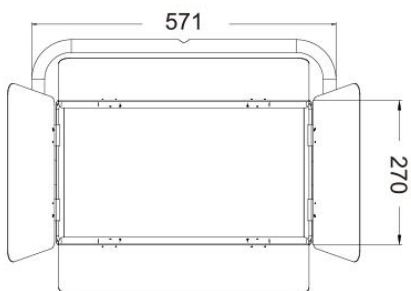
3200K	3362	986	469	280	187	138
4500K	2757	873	417	251	168	124
5600K	3119	921	438	258	172	127



LED Soft Panel Light Series

ZY-SPL200W

200W Bicolor LED Soft Video Panel Light



LED Soft Panel Light Series

ZY-SPL200W

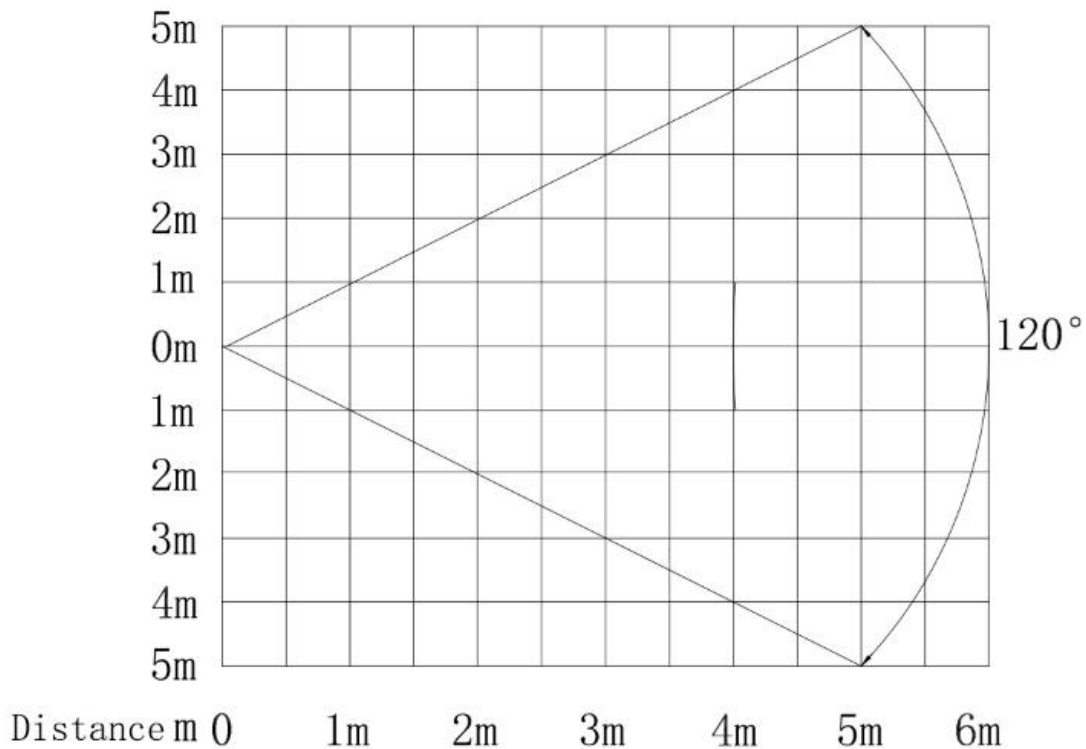
200W Bicolor LED Soft Video Panel Light

- LED: 1200pcs 0.5W 2835 SMD high CRI LED bead chips
- Color temperature: 3200K-5600K adjustable
- Beam angle: 120degree
- Dimmer: 0~100% linear dimmer
- CRI: Ra≥95
- Light output power: 180-200W
- DMX channel: 1CH, 2CH, 4CH, 5CH
- Control mode: DMX-512, Demo mode, Manual
- Related voltage: AC100V-240V, 50/60Hz
- Body dimension: D480*W270*H127mm
- Net weight: 9.5kg

LUX

CRI: ≥95

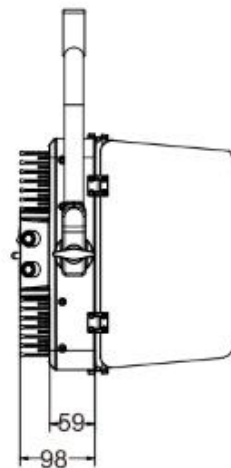
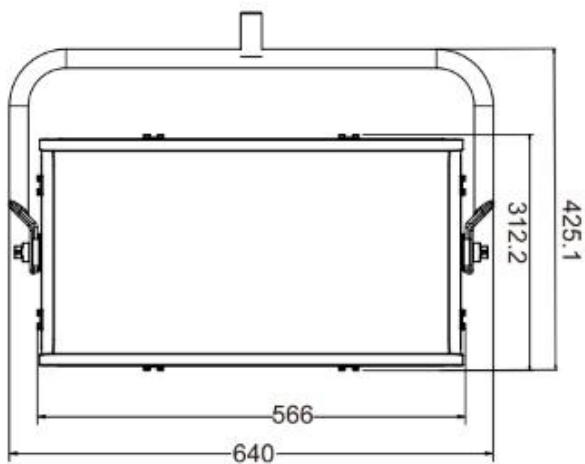
3200K	6712	1815	790	532	345	224
4500K	7550	2110	855	621	412	270
5600K	7760	2210	975	650	440	285



LED Soft Panel Light Series

ZY-SPL300W-C

300W Bicolor LED Soft Video Panel Light



LED Soft Panel Light Series

ZY-SPL300W-C

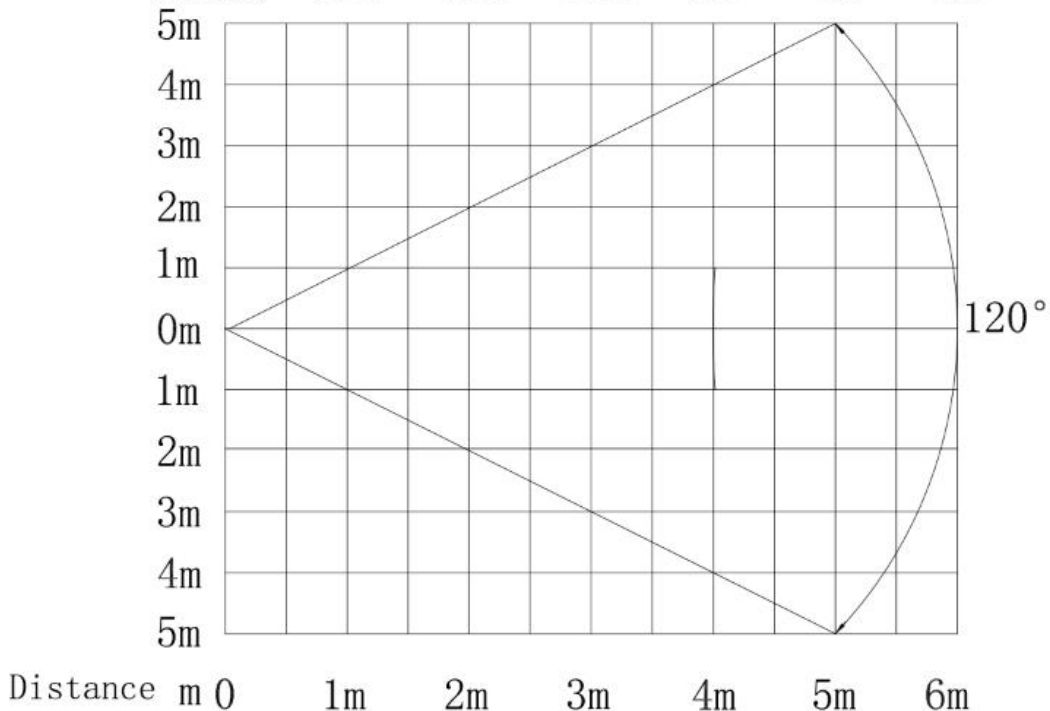
300W Bicolor LED Soft Video Panel Light

- LED: 1488pcs 0.5W high CRI and high brightness 2835 SMD LED bead chips
- Color temperature: 3200k-5600k adjustable
- Beam angle: 120degree
- Frequency: 24K flick free light source drive system
- Dimmer: 0~100% linear dimmer
- CRI: $R_a \geq 95$
- Special CRI: $R_9 \geq 90$, $R_{15} \geq 90$
- Light output power: 300-280W
- DMX channel: 4CH, 5CH
- Control mode: DMX-512, RDM, Demo mode, Manual, Dimmer rotary knob(wireless remote control option)
- Control panel: 2.4in LCD display + 2 Rotation Knob
- Body dimension: D640*W98*H425mm
- Net weight: 12.5kg

LUX

CRI: ≥ 95

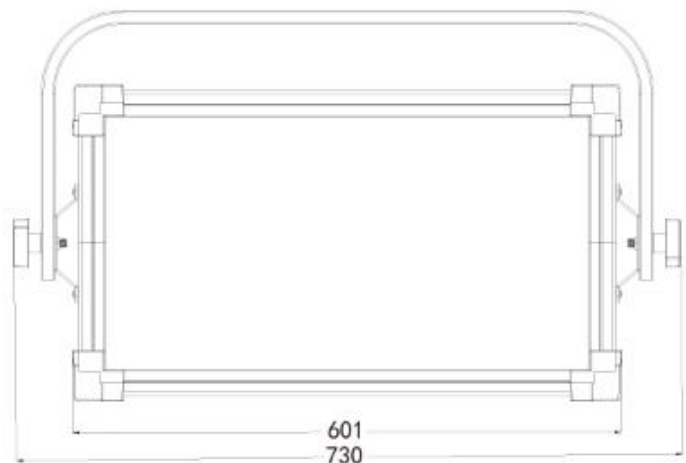
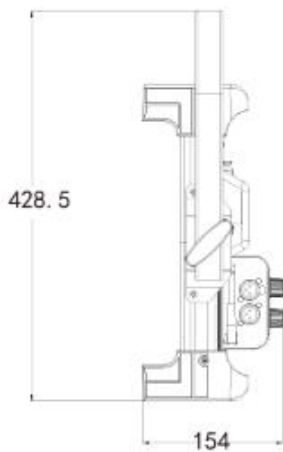
3200K	7780	2250	1050	635	430	338
4500K	7800	2276	1090	643	446	342
5600K	7910	2285	1150	675	458	356



LED Soft Panel Light Series

ZY-SPL200G

200W RGB and Bicolor LED Video Panel Light



LED Soft Panel Light Series

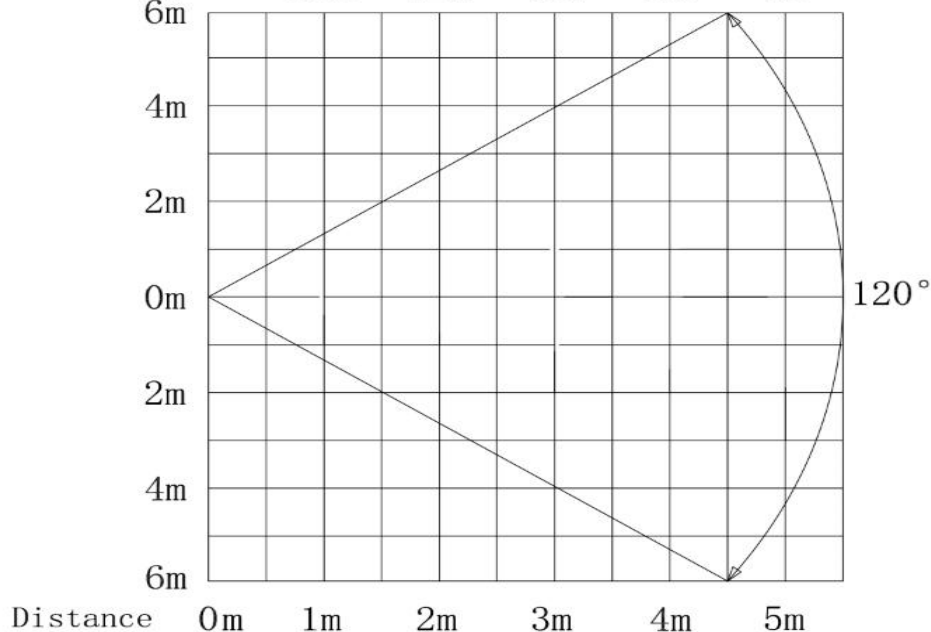
ZY-SPL200G

200W RGB and Bicolor LED Video Panel Light

- LED: 480pcs 0.2W RGB 3in1 LED chips, 480pcs 0.2W warm white LED chips, 480pcs 0.2W cold white led chips
- Color: RGB colorful and from warm white to cold white
- Beam angle: 120degree
- Dimmer: 0~100% linear dimmer
- CRI: Ra≥95
- Color temperature: Kelvin 2500k-9900K adjustable
- Light output power: Red: 120W; Green: 150W; Blue: 150W; Warm white: 200W; Cold white: 200W
- DMX channel: 4CH, 7CH
- Control mode: DMX-512, Demo mode, Manual
- Control panel: LCD display + 4 buttons + 2 knobs
- Related voltage: AC100V-240V, 50/60Hz; DC24-36V
- Related power: max 250W
- Net weight: 7.5kg

LUX
CRI: ≥95

R	1575	363	167	97	64
G	1532	462	226	135	92
B	342	99	48	31	24
WW	3525	1215	658	498	387
CW	3653	1223	682	510	408



LED Profile Spot Light Series

ZY-LP20W

20W White Bicolor Mini Led Leko Profile Spot light



Imported LED



Digital Display



No fan natural cooling system



19/26/36/50° Lens optional

- Led power: 20W
- Light Color: single WW / CW / WW+CW 2in1
- Led Lamp : Imported Led
- Color Rendering Index(CRI): Ra≥90
- Voltage: AC100-240V 50-60Hz
- Fixed Lens: 19°/26°/36°/50°(optional)
- Focus: Can be adjusted by hand
- Dimmer: 0~100% linearly adjustable
- Strobe: 1-25times/sec
- **Body color: Black / White**
- Feature of housing: lightweight, no fan no noise
- Control System: DMX or Wireless remote control
- DMX: 1/3CH(single color) ,2/5CH(2in1)
- Cooling system: Fan-less no noise
- IP Grade: IP20

ZY-SPL200W

New Product 200W LED Fixed Lens Profile Spot light

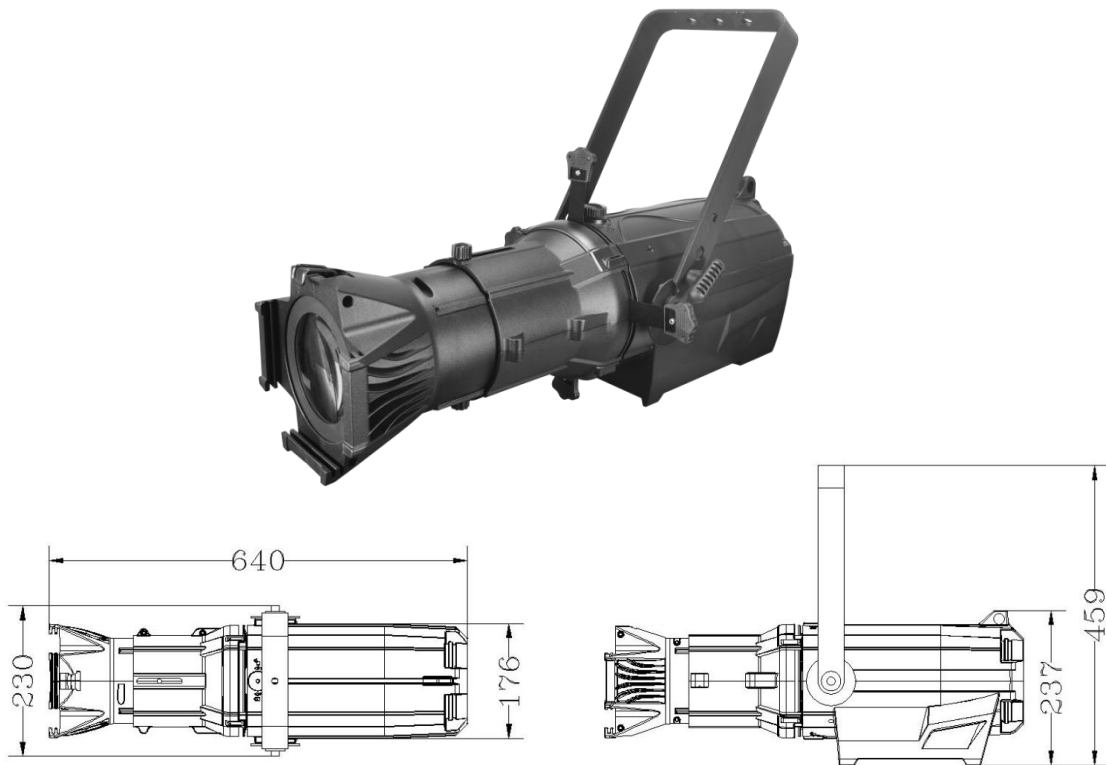


- LED: 1pc white 200W COB LED Lamp, 3200K-6500K optional
- Color: CW/WW
- Beam angle:
19degree(14degree/26degree/36degree/50degree optional),
fixed lens
- Materials of lens: ETC Style glass lens group
- Dimmer: 0-100% linear dimmer
- Strobe: 1-25 times/second
- Illuminance: 39850 Lux (2m 19° 3200K)
- Focus: Manual
- Control mode: DMX-512; Demo; Master/slave
- DMX channel: 1CH, 2CH
- DMX In/Out: 3P-XLR DMX In/Out, DMX 512
- Related voltage: AC100V-240V, 50/60Hz
- Shell color: black/white
- Cooling: Copper radiation and Fan

LED Profile Spot Light Series

ZY-LP200W

200W Aluminum LED Ellipsoidal Profile Spot light

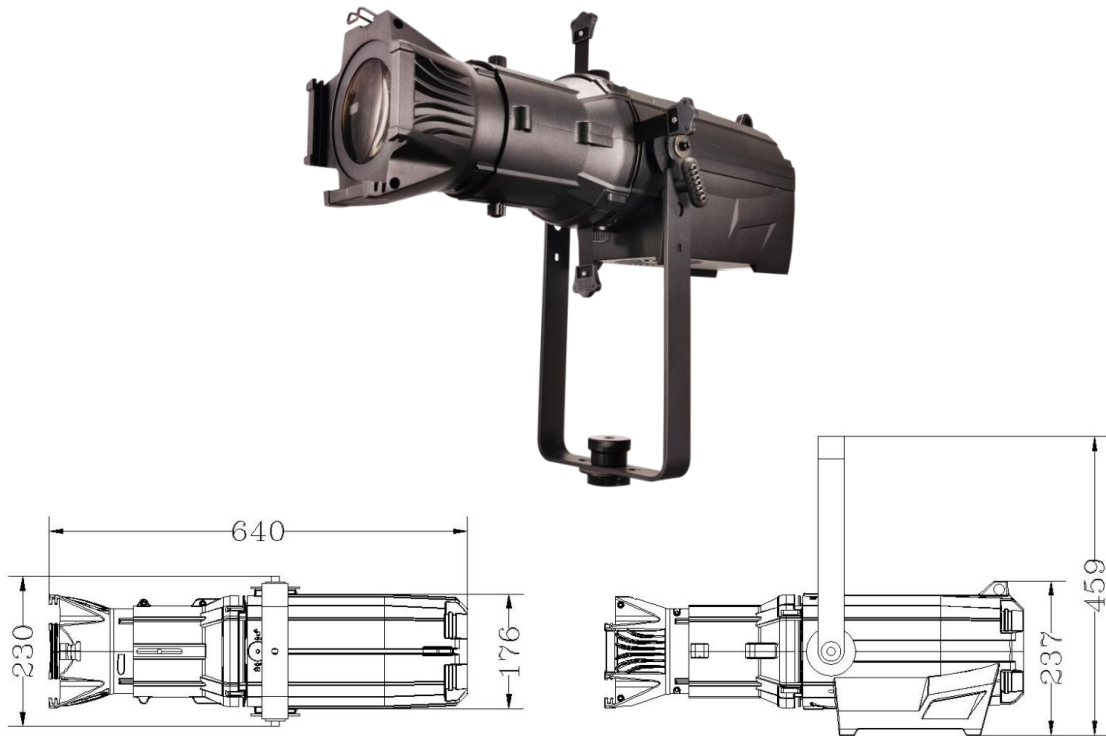


- Light source: 200W COB LED Lamps
- Color: warm white or cold white/RGBW
- Color rendering index (CRI): $R_a \geq 95$
- Rated voltage: AC100-240V
- Total power consumption: 200W
- Luminous angle: $19^\circ/26^\circ/36^\circ/50^\circ$ (optional)
- Strobe: 1-25 times/second
- Dimming: 0-100% linear dimming
- Dimming curve: 4 types
- Dimming mode: frequency selectable from 500Hz to 25000Hz
- Focal length: manually adjustable
- Technology: High quality optical system, glass reflective cup
- Body: Die cast aluminum
- Touch screen: LCD display panel
- Control system: RDM protocol/DMX512, self-propelled mode, master-slave mode
- DMX channel: 3CH
- Cooling system: Silent fan cooling combined with copper heat pipe cooling system
- Net weight: 10kgs

LED Profile Spot Light Series

ZY-LP200W

200W LED Ellipsoidal Profile Spot light without fan



- Lamp bead power: 200W
- Color: Monochrome warm white or cold white (250W)
- Color rendering index (CRI): $R_a \geq 95$
- Rated voltage: AC100-240V
- Total power consumption: 200W
- Luminous angle: 19 °/26 °/36 °/50 ° (optional)
- Life: More than 50000 hours
- Strobe: 1-25 times/second
- Focal length: manually adjustable
- Technology: High quality optical system, glass reflective cup
- Body: Die cast aluminum
- Touch screen: LCD display panel
- Control system: RDM protocol/DMX512, self-propelled mode, master-slave mode
- DMX channel: 3CH
- Working temperature: -30-40 °C
- Waterproof grade: IP20
- Cooling system: without fan
- Net weight: 12kgs
- Gross weight: 14kgs

LED Profile Spot Light Series

ZY-LP200W-B-Z

200W Zoom LED Ellipsoidal Profile Spot light



- Lamp bead power: 200W
- Color: warm white/cold white/Bi-Color/RGBAL
- Led Beads: Imported Beads
- Color rendering index (CRI): $Ra \geq 95$
- Rated voltage: AC100-240V
- Total power consumption: 250W
- Luminous angle: $15^{\circ} - 50^{\circ}$
- Strobe: 1-25 times/second
- Focal length: manually adjustable
- Technology: High quality optical system, glass reflective cup
- Body: Die cast aluminum
- Touch screen: LCD display panel
- Control system: RDM protocol/DMX512, self-propelled mode, master-slave mode
- DMX channel: 3CH
- Working temperature: $-30-40^{\circ}C$
- Waterproof grade: IP20
- Cooling system: Silent fan cooling combined with copper heat pipe cooling system
- Net weight: 10kgs
- Gross weight: 12kgs

ZY-48

48 Road Bakelite Plug Straight Box



- 11U flight case with lid door.
- Internal Delixi 4 square national standard line, Delixi 25A air separation, 4KW per channel, 250A Delixi large air opening,
- Three-phase current and voltage display. 48 40A bakelite plugs and 1 3-hole multi-functional conventional socket.
- The total input is a 400A industrial waterproof plug, which can use a maximum of 50 square meters of 5-core cable, and the total power is a maximum of 125KW.
- Can meet the requirements of LED large screen, lighting and sound. Each output channel has an indicator light.
- DIY front panel and back cover available

ZY-126

12-way 6KW through box



- Power supply: three-phase five-wire power supply
- Power supply: AC220V/380V 50HZ
- Specification: Single phase. Universal for three phases.
- Circuit: 12-way with main open
- Power: 12 channels
- DIY free combination of panel and back cover

ZY-SP1-12

1/2 DMX In 12 DMX Out DMX Splitter Light



- Power supply: single-phase AC220V±10%, frequency 50HZ±5%.
- One or two signal inputs can be converted, and 12 independent electrically isolated signal distribution outputs can be converted into dual 4-way outputs.
- Digital signal: DMX512, interface type: RS-485 and various digital signals transmitted using RS-485 interface.
- Signal connection socket: three-core audio male socket and female socket.
- Size: 19" 1U
- Weight: 5KG

ZY-SP1-8

1 DMX In 8 DMX Out DMX Splitter Light



- Power supply: single-phase AC220V±10%,
- Frequency 50HZ±5%.
- One signal input, 8 independent electrically isolated signal distribution outputs.
- Digital signal: DMX512, interface type: RS-485 and various digital signals transmitted using RS-485 interface.
- Signal connection socket: three-core audio male socket and female socket.
- Size: 19" 1U
- Weight: 5KG

ZY-DWR2-4

DMX Wireless Receiver



- 2X8-digit LCD displays working status and parameters
- 4-level power output options.
- The 126-channel hopping frequency moves automatically to select non-interfering frequency bands to ensure the reliability of communication.
- Input voltage: 9-12VDC300MA MIN
- Communication distance: 400M (visual distance)
- Operating frequency: 2.4G ISM, channel 126
- Maximum transmit power rate: 20dBm
- Receive sensitivity: -94dBm
- Dimensions: 75X147X43mm

ZY-1024

1024 Channels DMX-512 Controller



- Power supply:AC220V,50-60Hz
- Output signal:DMX512
- Total Channels:1024CHs
- Channels: 2 DMX 512 output ports
- 4 Fixture programming running modes: Loop mode /Manual trigger mode /Music trigger mode/Player trigger mode.
- 100 lamp programmings or scenes
- Shape: 30 editable shapes and 20 built-in shapes
- Full Chinese and English display and panels can select.





WeChat



WhatsApp

Guangzhou Zhuoyi Stage Lighting Technology Co., Ltd

Homepage: www.zhuoyilight.com

Email: amy@zhuoyilight.com

TEL: 86 159 4961 0761

Factory add: Building 1, Mingzhu Industrial Park, Longkou Village, Huashan Town, Huadu District, Guangzhou City, Guangdong Province, China