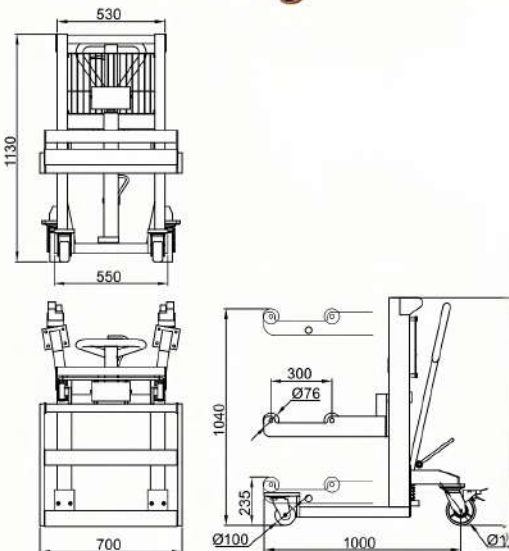


# Roll Lifter

- This trucks are specially designed for printing, packaging and paper industry, which used for handling rolls of different materials.
- Various optional accessories are available on customers' demand.



**Heavy Duty**  
**max. capacity 1000kg**



Model		MRL1085R	MRL1012R	MRL1015R
Capacity	(kg)	1000	1000	1000
Max.Roll Diameter	(mm)	Ø610	Ø610	Ø610
Max.Roll Width	(mm)	1550	1550	1550
Lifting Height	(mm)	865	1200	1500
Load Wheel	(mm)	Ø100×50	Ø100×50	Ø100×50
Steer Wheel	(mm)	Ø150×50	Ø150×50	Ø150×50
Tray Roller Size	(kg)	700	700	700
Net Weight		180	235	255