

Bespoke Custom Design Roll and Reel Handling Equipment



- ▶ Sinolift manufacture a lot of bespoke roll handling equipment because there are so many variables relating to roll size, material and customers sites, Here are a few examples of custom designed roll lifters and handlers that Sinolift have designed for safe manual handling of rolls and reels.
- ▶ Sinolift can offer lots of different power options such as battery electric models, manual units and pneumatic air powered units for use in hazardous areas. Sinolift also build full stainless steel pharmaceutical units and ATEX certified equipment for Zoned areas. Sinolift bespoke real & roll handling equipment is designed and manufactured in China allowing compliance with the manual handling regulations.
- ▶ Sinolift is experts in solving roll and reel handling problems. Sinolift has a wealth of experience working with all types of rolls and reels, if a customer tells us of a problem Sinolift can work with them until Sinolift provide them with a solution, Sinolift will even send a technical design engineer to your site to assess your requirements.



Easy Lift, Easy Life!

The Sinolift On-A-Roll jumbo media lifter provides the best solution for commercial establishments that use grande or extra-wide printers, fabric printers, and other similar materials.

- Highest quality, ergonomic handling equipment for printing, sign making, and manufacturing.
- Pair of heavy-duty swivel casters with easy step-on locking brake.
- Reduces on-the-job injuries and enables all workers to move heavy rolls.
- User-friendly operation avoids costly and dangerous handling mistakes that damage media.
- Rugged construction ensures long lifter life.
- Single-person operation saves labor and time.
- Material damage is reduced or eliminated when moving rolls.



SHANGHAI SINOLIFT MECHANICAL AND ELECTRICAL EQUIPMENT CO., LTD.

Address: No. 2471 Dachuan Road, Nanhui Industry Park, Pudong New District, Shanghai, 201399, P.R.China

Tel: 0086-21-68014500 or 0086-21-58003681

Fax: 0086-21-68014262

Website: www.sinolift.com www.sinoliftchina.com www.sinolifttruck.com

Skype: sinolift

Whatsapp & Mobile: 0086 138 1757 2420





CR Manual Hydraulic Jumbo Roll Lifter

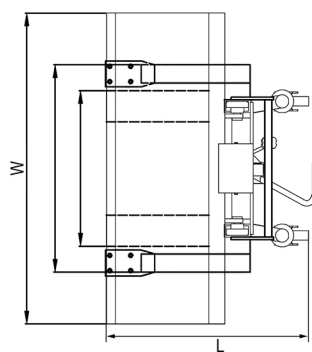
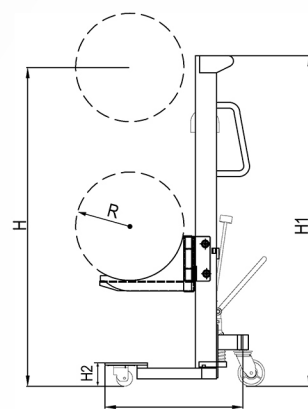
This SINOLIFT CR jumbo roll lifter promotes a user-friendly operation which allows engineers to handle media rolls safely and securely. It features a simple hydraulic foot pump that smoothly lifts the rolls within minutes. Flaunting a time-saving and cost-effective solution, this On-a-Roll lifter includes nylon safety straps that allow a single-person operation.

Features:

- Pair of heavy-duty swivel casters with easy step-on locking brake.
- Reduces on-the-job injuries and enables all workers to move heavy rolls.
- User-friendly operation avoids costly and dangerous handling mistakes that damage media.
- Rugged construction ensures long lifter life.
- Single-person operation saves labor and time.
- Foot pump allows for smooth, effortless lifting within minutes.
- 2-year warranty on hydraulics and media tray. 5-year warranty on cross bars.



Model			CR6008	CR6015	CR6018
Vendor export code			61390	61392	61394
Roll load capacity		kg(lbs)	600(1320)	600(1320)	600(1320)
Load center	C	mm(inch)	350(13.75")	350(13.75")	350(13.75")
Bottom fork clearance	H2	mm(inch)	110(4.33")	110(4.33")	110(4.33")
Max. lifting height	H	mm(inch)	850(33.5")	1500(58.95")	1800(70.87")
Max. roll diameter	2R	mm(inch)	500(19.6")	500(19.6")	500(19.6")
Max. roll width		m(ft/inch")	5(16'5")	5(16'5")	5(16'5")
Width x depth	WxL	mm(inch)	1200(47.24")x775(30.5")	1200(47.24")x775(30.5")	1200(47.24")x775(30.5")
Height	H1	mm(inch)	1194(47")	1555(61.22")	1855(73")
Load wheel		mm(inch)	Φ75x46(Ø3"x1.81")	Φ75x46(Ø3"x1.81)	Φ75x46(Ø3"x1.81)
Rear wheel		mm(inch)	Φ125X40(Ø5"x1.57")	Φ125X40(Ø5"x1.57")	Φ125X40(Ø5"x1.57")
Weight		kg(lbs)	104(229)	134(295)	164(360)



One operator can easily lift rolls as heavy as 600kg (1320lbs), as wide as 5m (16feet 5inches), and with diameters as great as 50cm (19.6inches). Designed for EFI, HP, Reggiani and Matan printers, the Sinolift jumbo roll lifter is perfect for businesses operating grande- or extra-wide printers, fabric printers, or those handling floor coverings and similar materials.

In any shop handling rolls of print media or other material, A Sinolift lifter is a must-have tool. Here are just a few reasons:

- Material damage is reduced or eliminated when moving rolls.
- Large media and heavy material rolls are handled quickly and easily.
- The simple hydraulic foot pump makes lifting effortless.
- Nylon safety straps enable one operator to move even the heaviest media rolls.



Universal Wheel
Pair of heavy-duty swivel casters with easy step-on locking brake.



Handrail
Ergonomic push bar permits easily maneuvering of large, heavy rolls.



Circular Tray
The large tray is specifically designed to handle large diameter, heavy rolls.



Roll Ramp Tray
For easy loading from the floor and handling large diameter, heavy rolls.



Roll Platform
Roller platform is designed to allow operators to feed rolls into their machines directly from the lifter.

ECR Semi-electric Jumbo Roll Lifter

The Sinolift ECR On-A-Roll power jumbo media lifter is a motorized media lifter designed to heave up, carry and transport large and heavy media rolled files. This Sinolift media lifter can easily raise and lower the large tray with use of simple button operation.

Features:

- Powerful DC motor easily lifts and lowers rolls, eliminating manual labor.
- Pair of heavy-duty swivel casters with easy step-on locking brake.
- Reduces on-the-job injuries and enables all workers to move heavy rolls.
- User-friendly operation avoids costly and dangerous handling mistakes that damage media.
- Rugged construction ensures long lifter life.
- Single-person operation saves labor and time.
- 2-year warranty on hydraulics and media tray. 5-year warranty on cross bars(Power operated lifters carry a one-year warranty under normal use for the battery and electric).

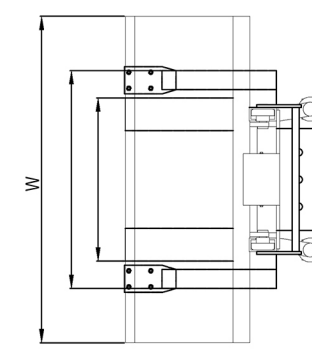
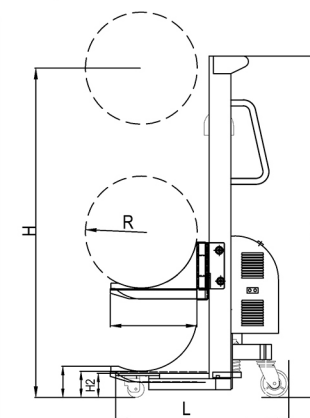


Model			ECR6008	ECR6015	ECR6018
Vendor export code			63290	63292	63292
Roll load capacity		kg(lbs)	600(1320)	600(1320)	600(1320)
Load center	C	mm(inch)	395(15.55")	395(15.55")	395(15.55")
Bottom fork clearance	H2	mm(inch)	110(4.33")	110(4.33")	110(4.33")
Max. lifting height	H	mm(inch)	850(33.5")	1500(58.95")	1800(70.87")
Max. roll diameter	2R	mm(inch)	500(19.6")	500(19.6")	500(19.6")
Max. roll width		m(ft/inch")	5(16'5")	5(16'5")	5(16'5")
Width x depth	W x L	mm(inch)	1200(47.24")x777(30.58")	1200(47.24")x777(30.58")	1200(47.24")x777(30.58")
Machine height	H1	mm(inch)	1194(47")	1555(61.22")	1855(73")
Load wheel		mm(inch)	Φ75x46(Ø3"x1.81")	Φ75x46(Ø3"x1.81)	Φ75x46(Ø3"x1.81)
Rear wheel		mm(inch)	Φ125X40(Ø5"x1.57")	Φ125X40(Ø5"x1.57")	Φ125X40(Ø5"x1.57")
Battery		V/Ah	12/60	12/60	12/60
Charger		V/A	12/10	12/10	12/10
Weight		kg(lbs)	140(308)	170(375)	200(440)

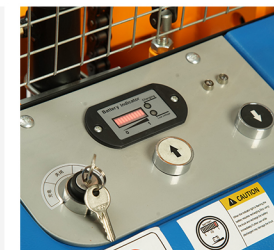
With a powerful 12-volt DC motor, the Sinolift jumbo roll lifter allows one operator to easily lift and lower rolls as heavy as 600kg (1320lbs), as wide as 5m (16feet 5inches), and with diameters as great as 50cm (19.6inches). This motorized lifter securely positions large and heavy rolls while providing a safe, effortless, and efficient solution for handling.

In any shop handling rolls of print media or other material, A Sinolift roll lifter is a must-have tool. Here are just a few reasons:

- Material damage is reduced or eliminated when moving rolls.
- Large media and heavy material rolls are handled quickly and easily.
- The powerful 12-volt DC motor makes lifting effortless.
- Nylon safety straps enable one operator to move even the heaviest media rolls.



Roller Ball Tray
It is designed to allow operators to easily load rolls on/off the tray and feed rolls into their machines.



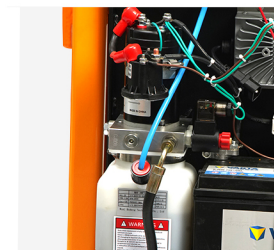
Key Controlled Power
With the push of a button the power Jumbo easily lifts and lowers.



Built-in Charger
The powerful 12-volt DC motor makes lifting effortless, and built-in charger can be allow the lifter to be charged easily.



Maintenance-free Battery
The VARTA maintenance-free battery boasts exceptional performance that is both reliable and long-lasting.



Hydraulic Power Pack
The DC hydraulic power pack is designed and built to provide an efficient and reliable hydraulic power source for lift.