

# MKP-AS (AC-Filter)



### ■ 特性 Features

安装简单方便，容量大、体积小

耐高压，具有自愈性

高纹波电路，高 dv/dt 承受力

Easy mounting, Large capacity, compact size;

High withstanding voltage capability self-healing property;

High ripple current capability, high dv/dt strength

### ■ 应用 APPLICATION

广泛用于电力电子电路中做交流滤波用；治理谐波及提高功率因数

Widely used in power electronic circuits for AC-Filtering; Harmonic control and power factor improvement.



### ■ 性能参数 Technical data

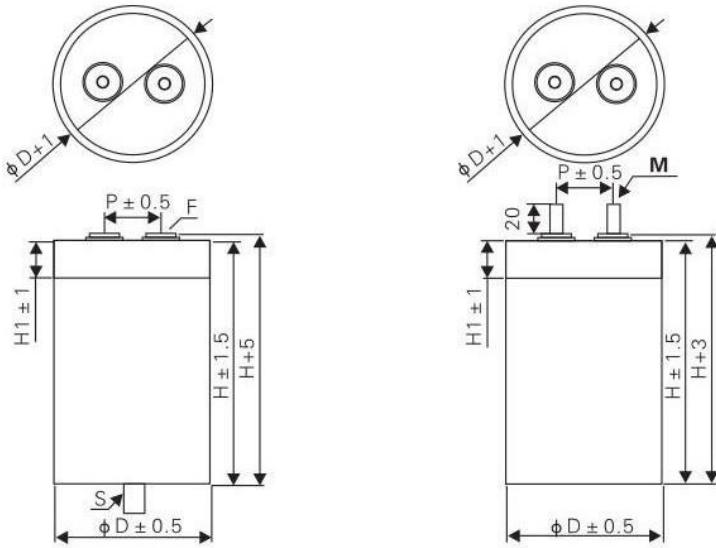
项目 Item	性能 Performance Characteristics	
使用温度范围 Operating Temperature range	-40 +105℃	
贮存温度范围 Storage Temperature range	-40 +105℃	
额定电压 Rated Voltage Range	450 ~ 800V.AC	
额定容量 Rated Capacity	20~500 μ F	
静电容量范围 Capacitance Tolerance	± 5% ( J ) / ±10% ( K )	
介质损耗 ( tanδ ) Dissipation Factor (tan δ)	≤0.0015 at 20°C, 1K Hz	
耐电压 Voltage Proof	极间V <sub>t-t</sub>	1.5U <sub>n</sub> (10S,20°C ± 5°C)
	极壳V <sub>t-c</sub>	---
杂散电感 ESL	≤30nH	
绝缘电阻 IR	≥5000s at 100VDC/60S	
耐久性试验 Endurance	测试条件：温度 85°C ± 3°C；施加额定电压U <sub>n</sub> ；试验时间 1000h.	
	静电容量变化 Capacitance change	ΔC/C0   ≤10%
	损耗角正切 D.F. (Tan δ)	Δtanδ ≤ 1.2tanδ + 0.0001
预期寿命 Life	100000h (可参考寿命曲线图)	



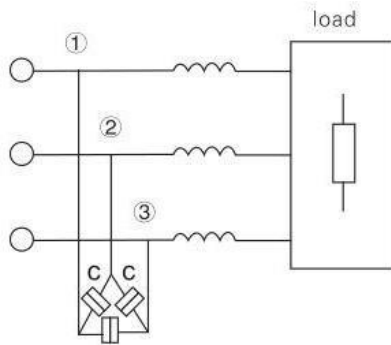
# MKP-AS (AC-Filter)

■ 尺寸图 Dimension

单相交流电容外形图/ Single-phase AC Capacitor



$\phi D$ (mm)	P (mm)	H1 (mm)	S	F	M
76	32	30	M12 x 16	M6 x 10	M8 x 20
86	32	30	M12 x 16	M6 x 10	M8 x 20
96	45	35	M12 x 16	M6 x 10	M8 x 20
116	50	40	M12 x 16	M6 x 10	M8 x 20
136	50	40	M16 x 25	M6 x 10	M8 x 20



AC Filter Capacitance(c)

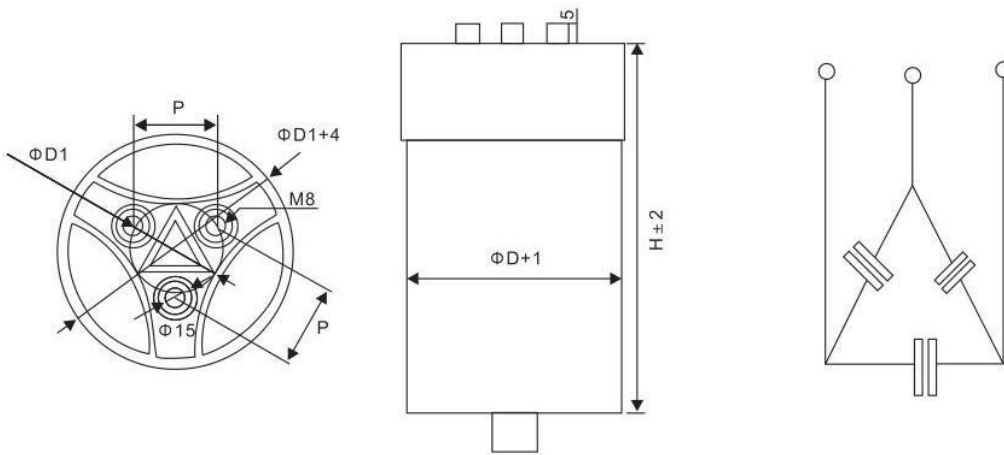
Over Voltage	1.1Un (30% of on-load-dur.)
	1.15Un (30 min/ day)
	1.2Un (5 min/ day)
	1.3Un (1 min/ day)
	1.5Un(100ms every time, 1000times during the lifetime)

Un 450V.AC										
Cap ( $\mu F$ )	Dimension (mm)			Irms @25°C (A)	ESR@ 1KHz 1V (m $\Omega$ )	dv/dt (V/ $\mu s$ )	I Peak (A)	Part number		
	$\phi D$	H	P							
35	65	125	28	30	8	100	3500	188356J450A	—	
50	76	125	32	40	7	100	5000	188506J450A	—	
75	86	125	32	50	6	100	7500	188756J450A	—	
100	96	125	45	60	5	100	10000	188107J450A	—	
150	116	125	50	70	4	100	15000	188157J450A	—	

# MKP-AS (AC-Filter)

Un 690V.AC								
Cap (μF)	Dimension (mm)			Irms @25°C (A)	ESR@ 1KHz 1V (mΩ)	dv/dt (V/μs)	I Peak (A)	Part number
	φD	H	P					
25	65	125	28	30	10	100	2500	188256J690A—
40	76	125	28	40	8	100	4000	188406J690A—
50	86	125	32	50	7	100	5000	188506J690A—
65	96	125	45	60	8	100	6500	188656J690A—
100	116	125	50	70	5	100	10000	188107J690A—
Un 800V.AC								
15	65	125	28	30	12	100	1500	188156J800A—
20	76	125	28	40	10	100	2000	188206J800A—
30	86	125	32	50	9	100	3000	188306J800A—
35	96	125	45	60	8	100	3500	188356J800A—
55	116	125	50	70	7	100	5500	188556J800A—

三相交流电容外形图/ Three phase AC Capacitor



φD(mm)	P(mm)	H1(mm)	S	F	M	D1	P
116	50	40	M12 x 16	M6 x 10	M8 x 20	50	43.5
136	50	40	M16 x 25	M6 x 10	M8 x 20	60	52