



MKP-AB (AC-Filter)



■ 特性 Features

金属化聚丙烯膜结构，铝合金外壳。

阻燃环氧封装，镀锡铜螺母引出

安装简单方便,容量大、体积小

耐高压，具有自愈性

高纹波电路，高 dv/dt 承受力

String type double thickened metalized electrode,

Enveloped with aluminum case and flame-resistant epoxy resin,

Welded by copper nut.

Easy mounting; Large capacity, compact size;

High withstanding voltage capability self-healing property;

High ripple current capability, high dv/dt strength



■ 应用 APPLICATION

广泛用于电力电子电路中做交流滤波用；治理谐波及提高功率因数

Widely used in power electronic circuits for AC-Filtering; Harmonic control and power factor improvement.

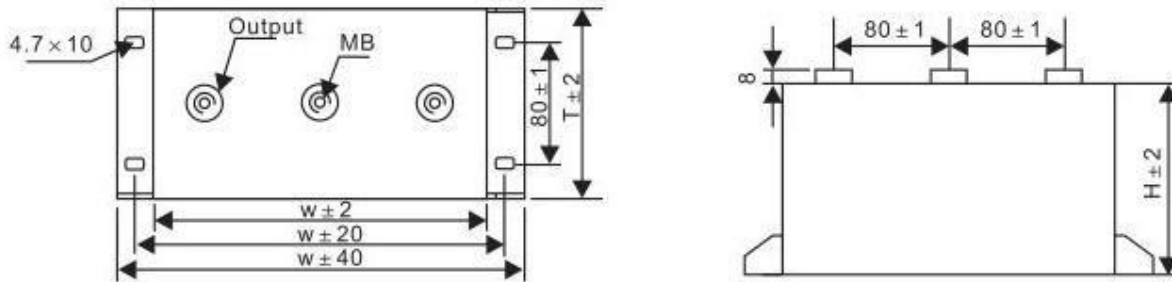
■ 性能参数 Technical data

项目 Item	性能 Performance Characteristics	
使用温度范围 Operating Temperature range	-40°C to 70°C/85°C	
贮存温度范围 Storage Temperature range	-40°C to 70°C/85°C	
额定电压 Rated Voltage Range	450 ~ 1140V.AC	
额定容量 Rated Capacity	3 x 40~3 x 500 μ F	
静电容量范围 Capacitance Tolerance	± 5% (J) / ± 10% (K)	
介质损耗 (tanδ) Dissipation Factor (tan δ)	≤ 0.0015 at 20°C, 1K Hz	
耐电压 Voltage Proof	极间V _{tt}	1.5Un(AC) applied for 30s at 25±5°C
	极壳V _{t-c}	---
杂散电感 ESL	≤ 30nH	
绝缘电阻 IR	≥ 5000s at 100VDC/60S	
耐久性试验 Endurance	测试条件: 温度 85°C ± 3°C; 施加额定电压Un; 试验时间 1000h.	
	静电容量变化Capacitance change	ΔC/C0 ≤ 10%
	损耗角正切 D. F. (Tan δ)	Δtanδ ≤ 1.2tanδ + 0.0001
预期寿命 Life	100000h (可参考寿命曲线图)	

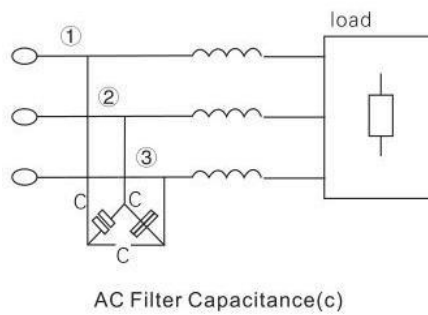


MKP-AB (AC-Filter)

尺寸图 Dimension



典型线路图 Typical Circuit



Over Voltage	1.1Un (30% of on-load-dur.)
	1.15Un (30 min/ day)
	1.2Un (5 min/ day)
	1.3Un (1 min/ day)
	1.5Un(100ms every time, 1000times during the lifetime)

Cap (μF)	Dimension (mm)			Irms @25°C (A)	ESR@ 1KHz 1V (mΩ)	dv/dt (V/ μs)	I Peak (A)	Part number
	L	T	H					
Un 450V.AC								
3×100	350	80	200	120	3.4	100	1500	189307J450A—
3×200	350	80	350	180	2.8	100	3000	189607J450A—
3×240	380	80	350	200	2.5	100	3600	189727J450A—
Un 690V.AC								
3×50	350	80	140	100	4.8	120	9000	189157J690A—
3×100	350	80	230	16	3.4	120	18000	189307J690A—
3×125	350	80	285	18	3	120	22500	189377J690A—