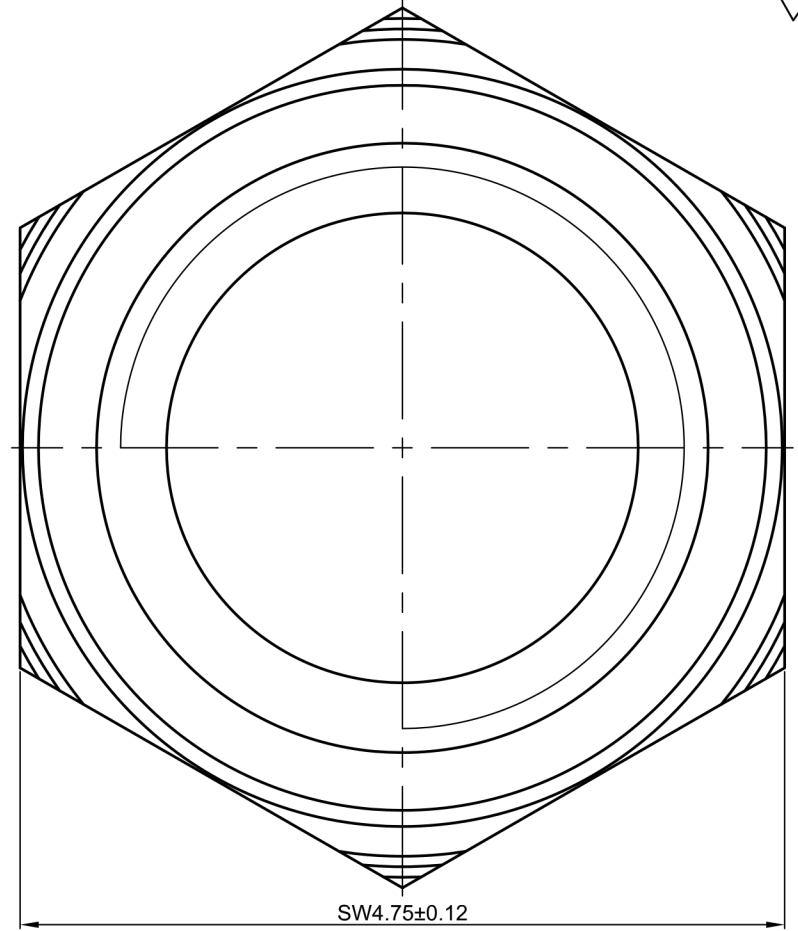
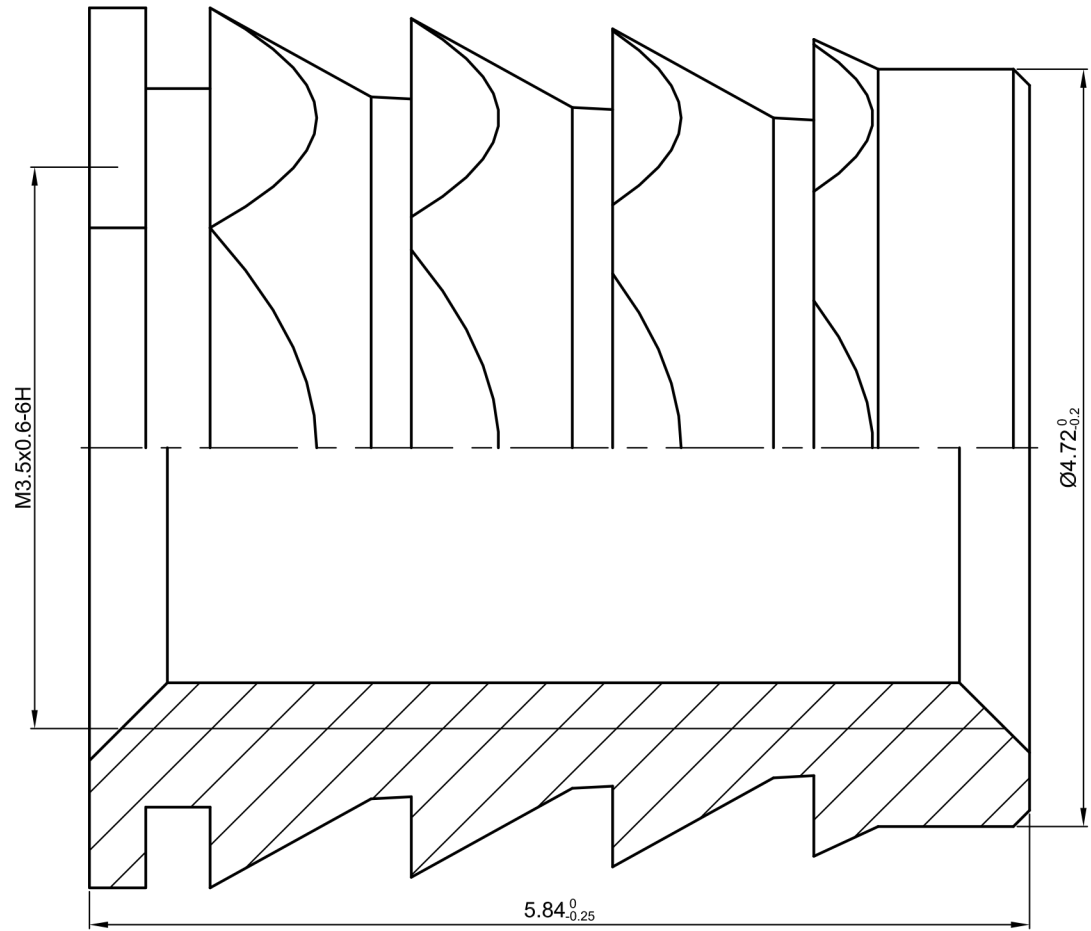
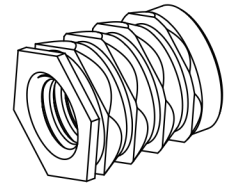


EC No.	EC Description	DR.
△	/	/

1.6



- NOTES:
- 1.Material:AL2024-T4;
 - 2.Heat Treatment:None;
 - 3.Surface Treatment:Cleaning;
 - 4.Packaging:PE bag and Carton;
 - 5.Free of burrs and sharp edges;
 - 6.Thread must be checked with Go/No Go Gauge;
 - 7.Unless otherwise specified:±0.08mm and angle ±2°.



In-sail®	①	1	/	/	See Note 1	See Note 3	/	
	Part Item	QTY.	Name	Description	Material	Surface Treatment	Remark	
UNIT: mm	DR.	LEX 2011.03.04	CHKD.	APPD.	Unit net weight ≈ 0.14356 g		Rough weight ≈ / g	
DIM Tol.: X. ± .X ± .XX ± .XXX ±	Angle Tol.: X° ± .X° ± .XX° ± .XXX° ±	Shenzhen In-sail Precision Parts Co.,Ltd The Drawing and Specification are the Property of Shenzhen In-sail Precision Parts Co.,Ltd. Without the Prior Written Permission of Top Management, any person or party except the intended ones is prohibited to Copy, Reproduce, Duplicate this document, Please send email to sales@in-sail.com if you have any request.				TITLE: BL-M3.5x5.84-SW4.75AL		
	Drawing#:	LF3083	P/N:	/	Version	A	Sheet 1 of 1	