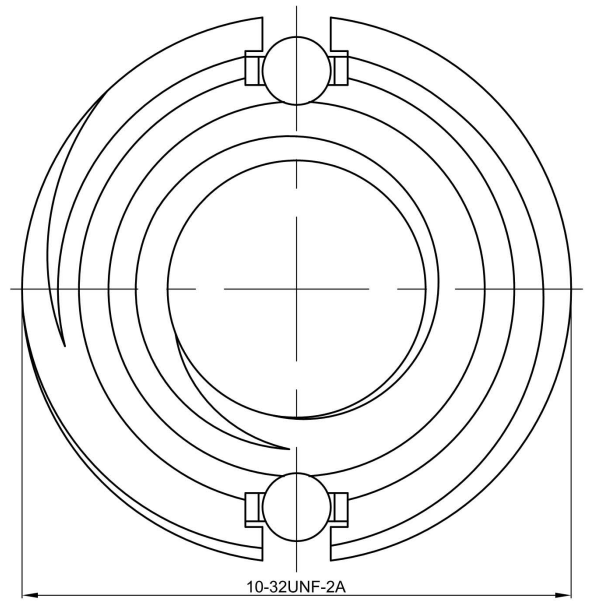
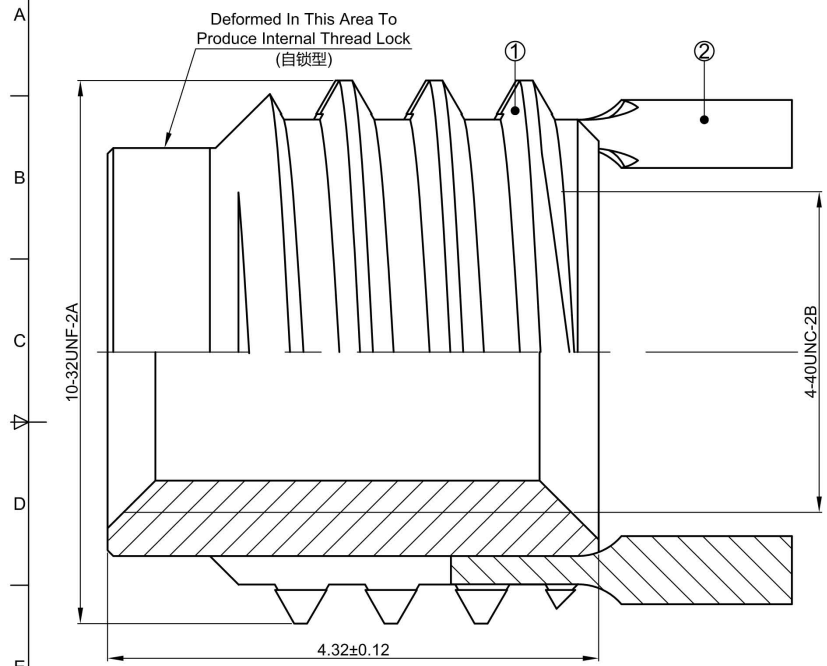


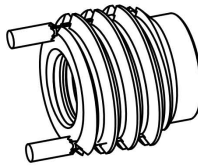
1.6

6	7	8
EC No.	EC Description	DR.
△	/	/



NOTES:

- Material: ①Inserts:SUS303;
②Keys:SUS302;
- Heat Treatment:None;
- Surface Treatment:Passivated;
- Packaging:PE bag and Carton;
- Free of burrs and sharp edges;
- Thread must be checked with Go/No Go Gauge;
- Unless otherwise specified:±0.1mm and angle ±2°.



In-sail® 力帆精密&力本五金		①	1	/	/	See Note 1	See Note 3	/
UNIT: mm		Part Item	QTY.	Name	Description	Material	Surface Treatment	Remark
DIM Tol.: X. ± .X ± .XX ± .XXX ±		DR. JRL 2018.10.19		CHKD.	APPD.	Unit net weight ≈ / g		Rough weight ≈ / g
Angle Tol.: X°. ± .X° ± .XX° ± .XXX° ±		Shenzhen In-sail Precision Parts Co.,Ltd The Drawing and Specification are the Property of Shenzhen In-sail Precision Parts Co., Ltd. Without the Prior Written Permission of P Management, any person or party except the intended ones is prohibited to Copy, Reproduce, Duplicate this document, Please send email to sales@in-sail.com if you have any request.				TITLE: L5012-440x4.32-1032SS		
		Drawing#: L501202A	P/N: /	REV. A	Sheet 1 of 1			