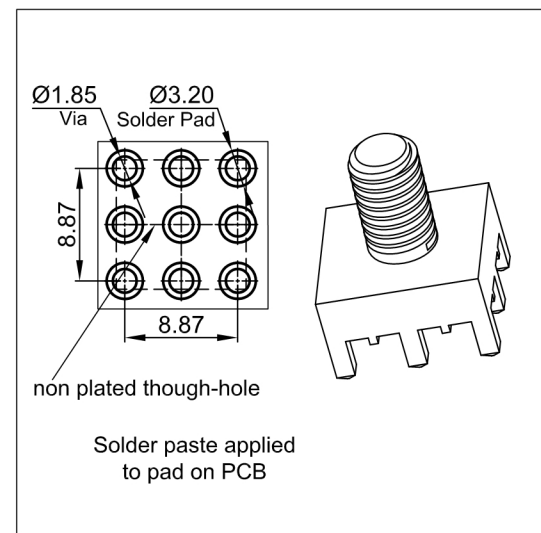
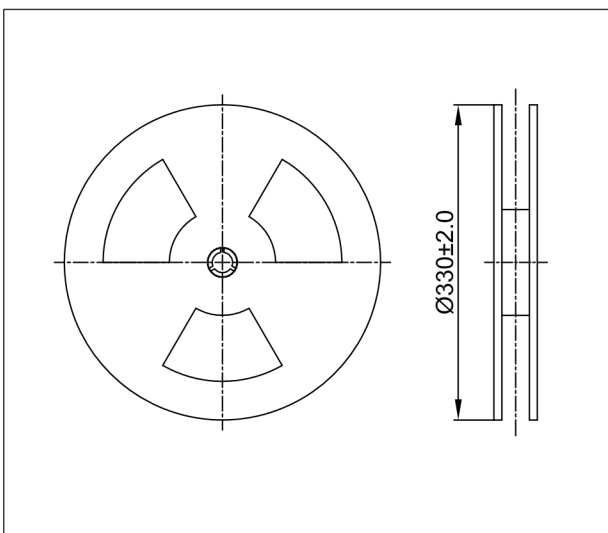
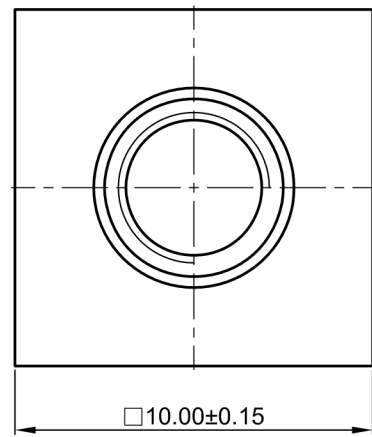
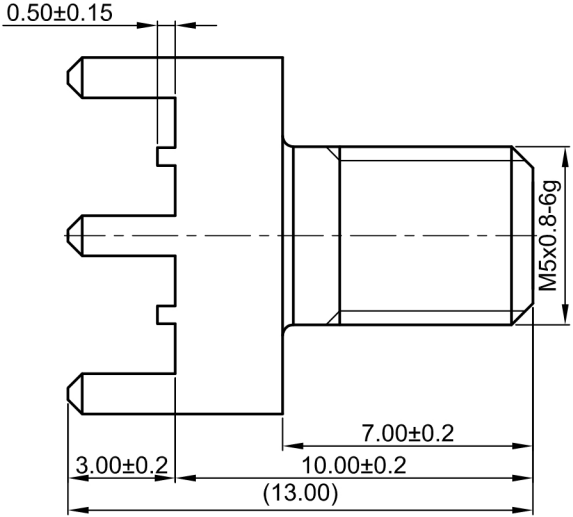
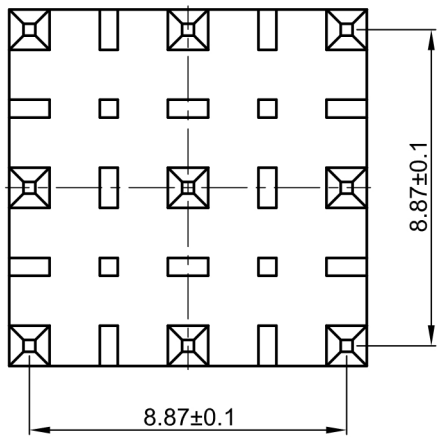


6	7	8
EC No.	EC Description	DR.
△	/	/



NOTES:
 1. Material: Brass C3604;
 2. Surface Treatment: Tin Plated;
 3. Remove all burrs and sharp angle, product is clean;
 4. Packaged on 13" recyclable reels, Tape width is 24mm, Reels conform to IEC 60286-3 Package: 300 pcs/Reel;
 5. RoHS Compliant.

In-sail®
 力帆精密&力本五金

UNIT: mm

DIM Tol.:	Angle Tol.:
.X ±	X° ±
.XX ±	.X° ±
.XXX ±	.XX° ±
.XXX±	.XXX° ±

①	1	/	/	See Note 1	See Note 3	/
Part Item	QTY.	Name	Description	Material	Surface Treatment	Remark
DR.	LEX 2014.04.06	CHKD.	APPD.	Unit net weight ≈ / g		Rough weight ≈ / g
Shenzhen In-sail Precision Parts Co., Ltd			TITLE: PE21-M5x13.0-□10.0DT			
The Drawing and Specification are the Property of Shenzhen In-sail Precision Parts Co., Ltd. Without the Prior Written Permission of Top Management, any person or party except the intended ones is prohibited to Copy, Reproduce, Duplicate this document, Please send email to sales@in-sail.com if you have any request.			Drawing#:	P/N:	REV.	Sheet
			LFPE2105R00	/	A	1 of 1