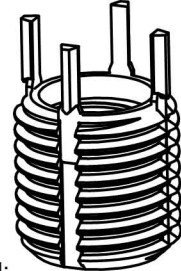
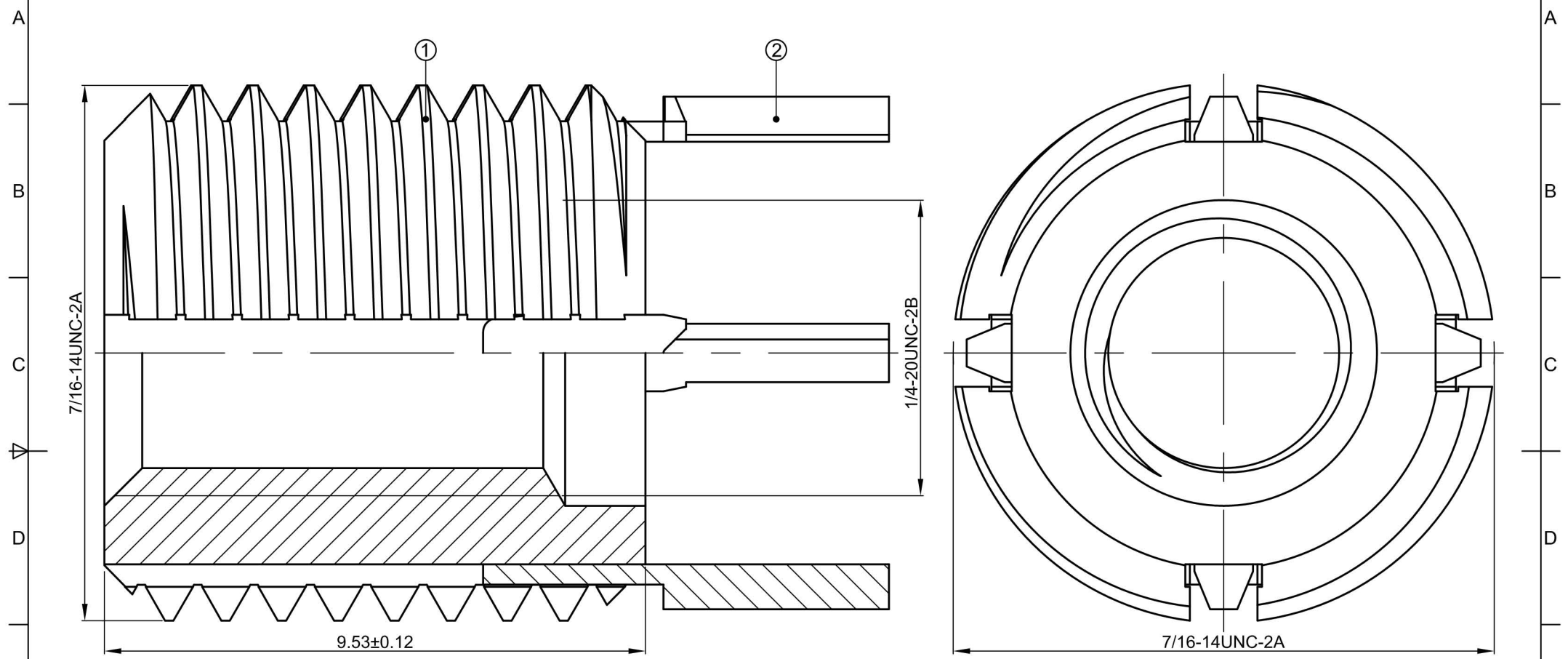


1.6

6	7	8
EC No.	EC Description	DR.
△	/	/



NOTES:

- Material: ①Inserts: Steel 1215; ②Keys: SUS302;
- Heat Treatment: ①Hardened, ②None;
- Surface Treatment: ①Inserts: Zinc Phosphate; ②Keys: Passivated;
- Packaging: PE bag and Carton;
- Free of burrs and sharp edges;
- Thread must be checked with Go/No Go Gauge;
- Unless otherwise specified: ±0.1mm and angle ±2°.

In-sail®
力帆精密&力本五金

UNIT: mm

DIM Tol.:	Angle Tol.:
X ±	X° ±
.X ±	.X° ±
.XX ±	.XX° ±
.XXX ±	.XXX° ±

①	1	/	/	/	/	/
Part Item	QTY.	Name	Description	Material	Surface Treatment	Remark
DR.	ARL 2018.07.24	CHKD.	APPD.	Unit net weight ≈ / g		Rough weight ≈ / g
Shenzhen In-sail Precision Parts Co., Ltd				TITLE: L5030-420x9.53-716-14SPB		
The Drawing and Specification are the Property of Shenzhen In-sail Precision Parts Co., Ltd. Without the Prior Written Permission of Top Management, any person or party except the intended ones is prohibited to Copy, Reproduce, Duplicate this document. Please send email to sales@in-sail.com if you have any request.				Drawing#: L503023SK	P/N: /	REV. A
				Sheet 1 of 1		