

1

2

3

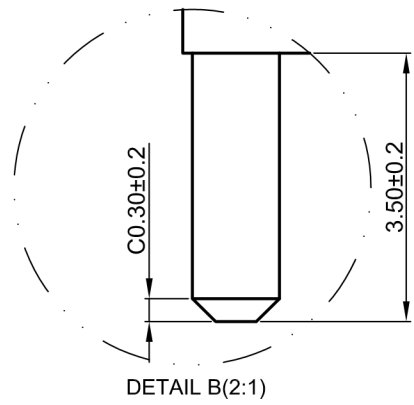
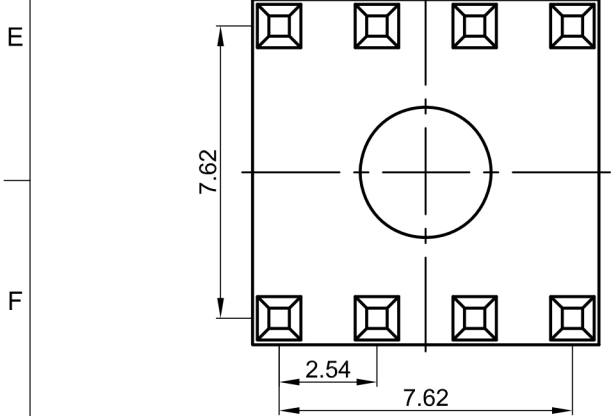
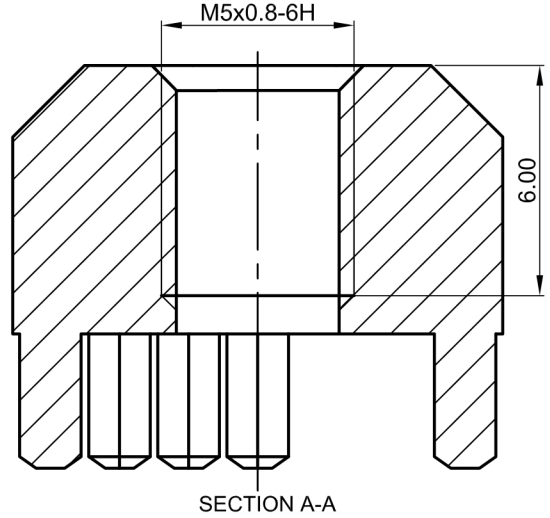
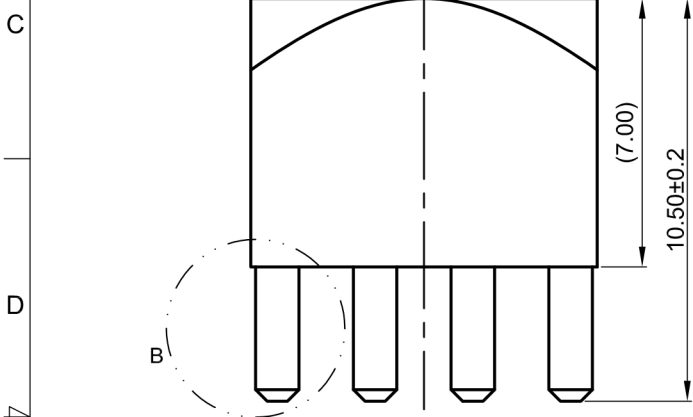
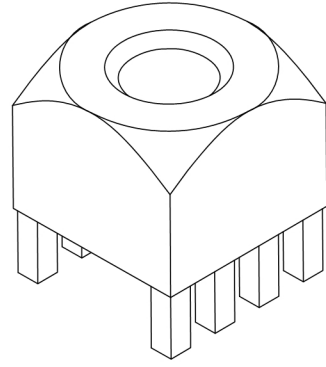
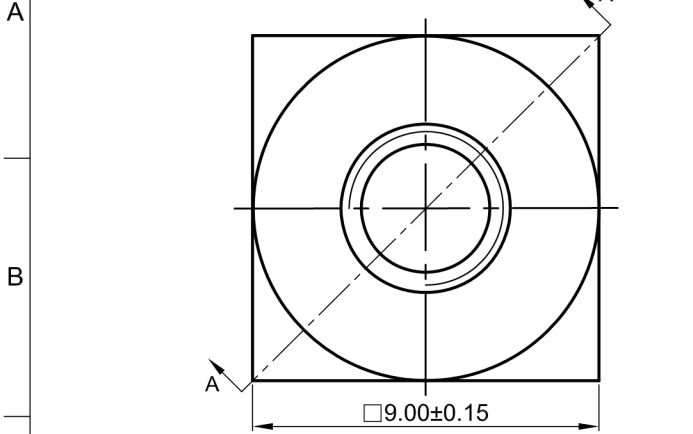
4

5


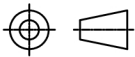
6

1.6

EC No.	EC Description	DR.
△	/	/



- NOTES:
1. Material: Brass C3604;
 2. Finish: Tin plated;
 3. Packaging: Blister packaging+Carton;
 4. Remove all burrs and sharp edges;
 5. Thread must be checked with Go/No Go Gauge;
 6. Unless otherwise specified: ±0.15mm and angle ±3°

 力帆精密&山本五金 UNIT: mm	①	1	/	/	See Note 1	See Note 3	/				
	Part Item	QTY.	Name	Description	Material	Surface Treatment	Remark				
	DR.	LEX 2013.10.12	CHKD.	APPD.	Unit net weight ≈ 3.9708 g		Rough weight ≈ / g				
Shenzhen In-sail Precision Parts Co.,Ltd The Drawing and Specification are the Property of Shenzhen In-sail Precision Parts Co.,Ltd. Without the Prior Written Permission of Top Management, any person or party except the intended ones is prohibited to Copy, Reproduce, Duplicate this document, Please send email to sales@in-sail.com if you have any request.				TITLE: PE01-M5×10.5-□9.0ET							
DIM Tol.: X ± .X ± .XX ± .XXX ±		Angle Tol.: X° ± .X° ± .XX° ± .XXX° ±		Drawing#: LFPE0103B00		P/N: /		REV. A		Sheet 1 of 1	

1

2

3



4

5

6