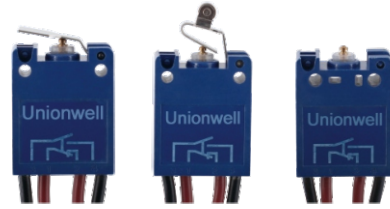


## G11 Series

### Waterproof and Dustproof DPDT Limit Micro Switch



#### ■ Features

- ◆ Small Size and compact structure
- ◆ Long life and high reliability
- ◆ Dust and water proof design(IP67)
- ◆ DPDT double-break switching mechanism
- ◆ Variety of mounting method and operation type
- ◆ Widely used in industry control, and more.

#### ■ Application

- ◆ Electrical Actuators
- ◆ Valve Control
- ◆ Power Station Control
- ◆ Industrial Auto Control
- ◆ Nuclear Power Facilities
- ◆ Automobile Production Line

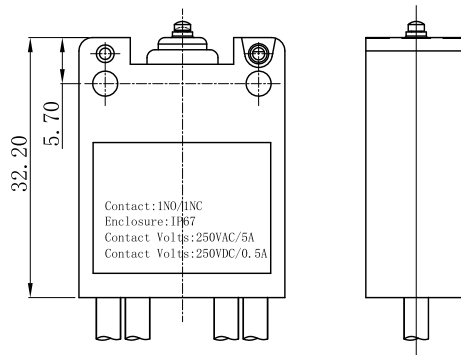
#### ■ Parameters:

Rating	05	0.5A 250VDC
		0.5A/5A 250VAC
Operating Frequency	Electrical	10~30 cycles/min
	Mechanical	10~30 cycles/min
Contact Resistance (Initial Value)		30~100mΩ Max (Depends on P/N, wire resistance excluded)
Insulation Resistance (at 500 VDC)		100MΩ Min
Dielectric Strength		AC750V RMS (50-60Hz)
Operating Temperature		-25°C~+85°C
Operating Humidity		85% RH Max
Service Life	Electrical	50,000 cycles (Depends on P/N)
	Mechanical	2,000,000 cycles
Unit Net Weight		Approx. 110g (8 Wires)

#### ■ With Wire Type

- ◆ Wire length could be customized

Wire leads to bottom



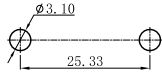
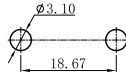
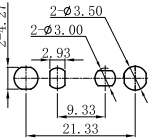
## G11 Series Micro Switch Ordering Instruction

G11	05	350	00	D	01	E1	T001	U
Switch Type	Electrical Rating	Max Operating Force at Pin Plunger	Lever Type	Circuitry	Mounting Hole Dimensions	Wire Type	Custom Code	LOGO
G11 Series Micro Switch	05 0.5A/250VDC 0.5A/5A 250VAC 25T85 μ5E4 (Only for switches with 4 or 8 wires)	350 Max (Only for switches with 4 wires 1NO/1NC)	00 No lever pin plunger	D DPDT	01 5.7mm* Φ 3.1mm* 19mm	E1 Wire length 780mm UL1015.AWG18 NO black NC brown	General	U Unionwell
		450 Max (Only for switches with 8 wires 2NO/2NC)	01 Straight lever 10mm wide* 24mm long	E DPDT-NO	02 6.7mm* Φ 3.1mm* 14mm (Only for switches with 4 wires 1NO/1NC)	F1 Wires leads to the bottom Wire length 610mm 60227 IEC 06 (RV) (NO/NC)	TO01 Customized according to requirements, the code format is T+serial number XXX, for example: T001	... Other
	...		02 Straight lever 7mm wide* 34mm long	F DPDT-NC	03 5.7mm* Φ 3.5mm* 16mm Φ 3.0mm* 7mm (Only for switches with 4 wires 1NO/1NC)	G1 Wires leads to the bottom Wire length 4000mm UL1015.18AWG (wire color: red/blue/black/brown, add PVC tube)	...	
			03 Roller lever		...	...	...	
			... Other					

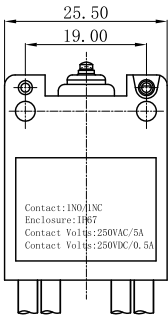
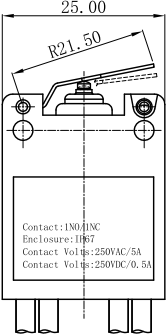
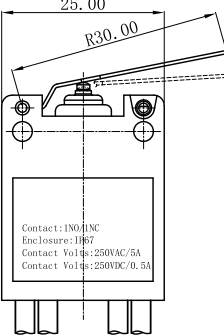
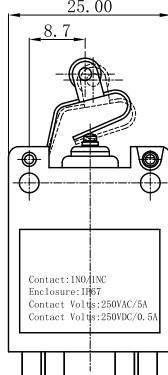
# Unionwell

## ■ Mounting Hole Dimensions

(Unit:mm)

01# Mounting Hole 5.7mm* $\Phi$ 3.1mm*19mm	02# Mounting Hole 6.7mm* $\Phi$ 3.1mm*14mm	03# Mounting Hole 5.7mm* $\Phi$ 3.5mm*16mm__ $\Phi$ 3.0mm*7mm
		

## ■ Lever Type

00#: Without lever	01#: Straight lever (10mm width*24mm length)
	
02#: Straight lever (7mm width*32mm length)	03#: Roller lever
	

## ■ Circuit Configuration

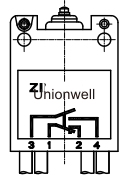
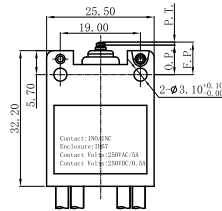
DPDT 1NO+1NC	DPDT 2NO+2NC
	

## ■ Dimensions and Operating Characteristics

### ◆ G1105-35000D01□U



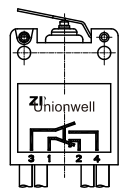
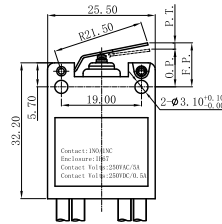
OF Max. (gf)	RF Min. (gf)	PT Max. (mm)	OT Min. (mm)	MD Max. (mm)	FP Max. (mm)	OP (mm)
350	40	1.30	0.25	0.45	8.6	7.0±0.3



### ◆ G1105-35001D01□U



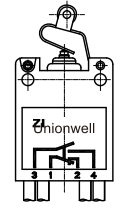
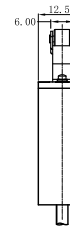
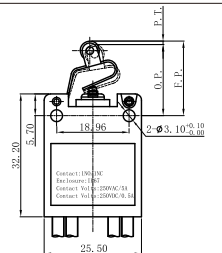
OF Max. (gf)	RF Min. (gf)	PT Max. (mm)	OT Min. (mm)	MD Max. (mm)	FP Max. (mm)	OP (mm)
200	10	3.00	0.3	1.30	12.8	8.9±0.9



### ◆ G1105-35003D01□U



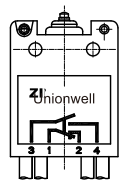
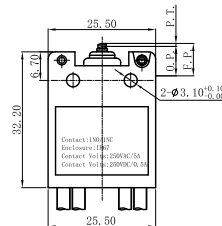
OF Max. (gf)	RF Min. (gf)	PT Max. (mm)	OT Min. (mm)	MD Max. (mm)	FP Max. (mm)	OP (mm)
450	40	3.00	0.3	1.30	23.0	19.0±1.0



### ◆ G1105-35000D02□U



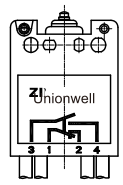
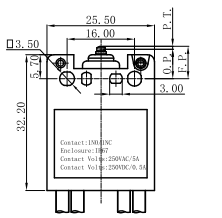
OF Max. (gf)	RF Min. (gf)	PT Max. (mm)	OT Min. (mm)	MD Max. (mm)	FP Max. (mm)	OP (mm)
350	40	1.30	0.25	0.45	9.60	8.0±0.3



### ◆ G1105-35000D03□U



OF Max. (gf)	RF Min. (gf)	PT Max. (mm)	OT Min. (mm)	MD Max. (mm)	FP Max. (mm)	OP (mm)
350	40	1.30	0.25	0.45	8.60	7.0±0.3



### ◆ G1105-45000D01□U



OF Max. (gf)	RF Min. (gf)	PT Max. (mm)	OT Min. (mm)	MD Max. (mm)	FP Max. (mm)	OP (mm)
450	50	1.30	0.25	0.45	8.60	7.0±0.3

