

GT08 Series

Ultrathin Laptop Keyboard Switch-1.6mm Travel



■ Features

- ◆ With tactile sound or smooth mute for selection
- ◆ Feel smooth and natural
- ◆ Service life can reach more than 10 million times
- ◆ Can be equipped with RGB-LED lights to add colorful backlight
- ◆ Patent products, the world's first

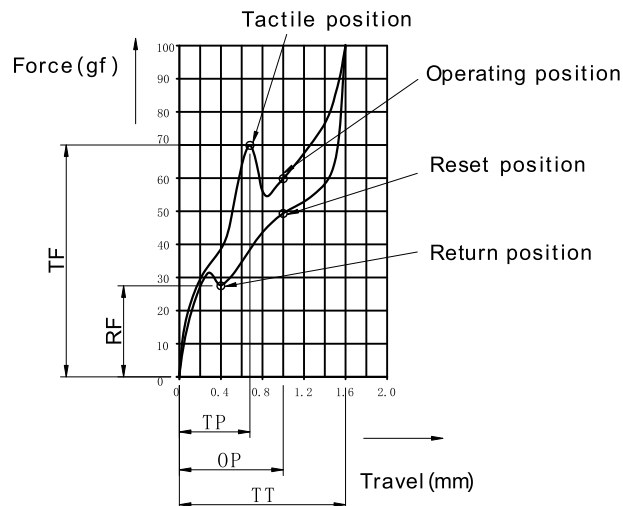
■ Applications

- ◆ Notebook computer keyboards

■ Specification and Parameters

Electical Characteristics	Rating	12V DC/AC Max. 10mA AC/DC Max
	Initial Contact Resistance	200mΩ Max
	Insulation Resistance	100MΩ Min
	Voltage Resistance	AC 100V (50-60Hz) 1 Min
	Electrical Life	Over 20,000,000 cycles (Load)
	Bounce Time	Operation speed at <400mm/sec
Parameters	Tactile Force (TF)	70±15gf
	Tactile Position (TP)	0.65±0.2mm
	Operating Position (OP)	(TP±0.05) ≤ OP ≤ 1.2mm
	Total Travel (TT)	1.6±0.3mm
	Return Force (RF)	RF=20gf Min
	Mechanical Life	Over 10,000,000 cycles (NO Load)
	Operating Temperature	-40°C ~ +80°C
	Operating Humidity	≤85% RH
	Hand Soldering Condition	3Sec Max. 360°C ±10°C

■ Travel-Force Curve



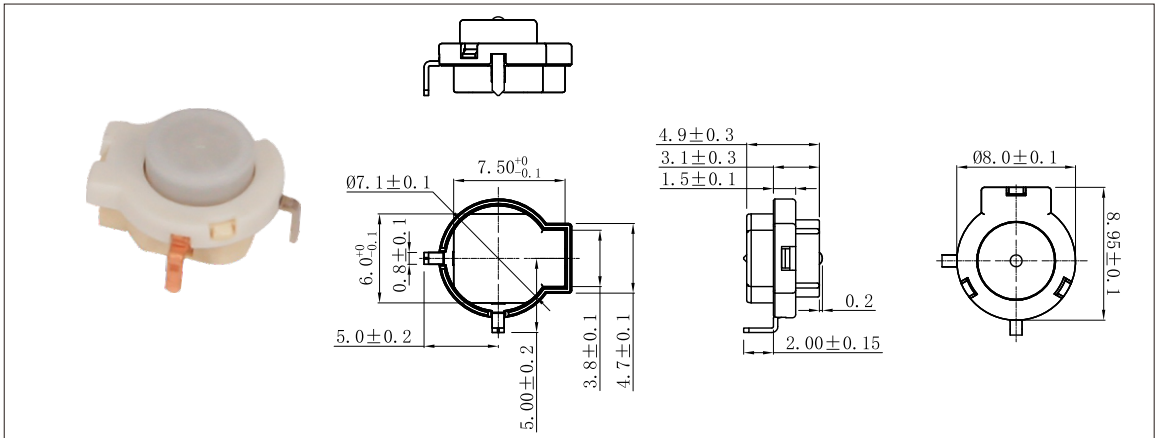
GT08 Series Keyswitch Ordering Instruction

GT08	A	1	C	N	P	A1	T001	U
Unionwell Switch Type	Keyswitch Height	Code of Operating Force	Operating Characteristics and Key Style	LED Diode	Mounting Options	Special Requirements Travel	Custom Code	LOGO
A	4.9mm	1	Single pole, standard type, black key	N	P	A1	General	U
B	Other	2	Single pole, tactile feel, sound, white translucent key		S	A2	Customized according to requirements, the code format is T+ serial number XXX for example:T001	...
								Other
								Other

Unionwell

■ Dimensions

(Unit:mm)



■ Circuit Board Layouts

