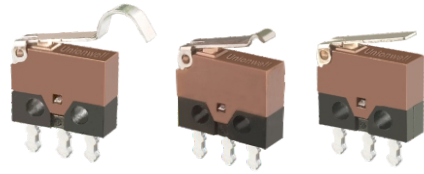


G15D (Metal Lever) Series

Ultraminiature Micro Switch



■ Features

- ◆ Compact size and structure, available in places requiring high space utilization
- ◆ High precision shrapnel structure
- ◆ Instantaneous contact construction

■ Application

- ◆ Car
- ◆ Air-Conditioner
- ◆ Communication

■ Parameters

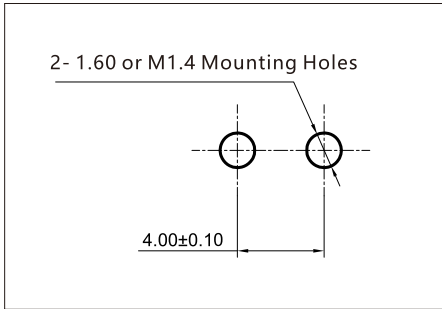
Rating		1A/15VDC
Operating Frequency	Electrical	20 cycles/min
	Mechanical	60 cycles/min
Contact Resistance (Initial Value)		100mΩ Max.
Insulation Resistance (at 500VDC)		100MΩ Min.
Dielectric Strength		500VAC 50~60Hz for 1 Min
Operating Temperature		-40°C~+85°C
Operating Humidity		85% RH Max.
Service Life	Electrical	10,000 cycles
	Mechanical	300,000 cycles

G15D Series Subminiature Micro Switch Ordering Instruction

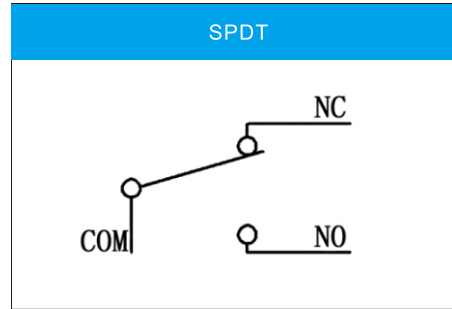
G15D	01	15	P	00	W	Au	T001	U
Switch Type	Electrical Rating	Operating Force	Terminal Style	Lever Type	Base Color	Contact Material	Custom Code	LOGO
G15D Series Subminiature Micro Switch	01 1A 15VDC	15 60gf Max. (Without lever)	P Standard PCB Terminals	00 No Lever Pin Plunger	W White Color	Au Gold Plated	General	U Unionwell
	15 15gf Max. (With lever)	P Long PCB Terminals	00 03# Lever	Customized according to requirements. the code format is T+ serial number XXX for example:T001		...	Other	Other
			P Left Side PCB Terminals	00 04# Lever				
			P Right Side PCB Terminals	00 06# Lever				

Unionwell

■ Mounting Hole Dimensions



■ Circuitry Configuration

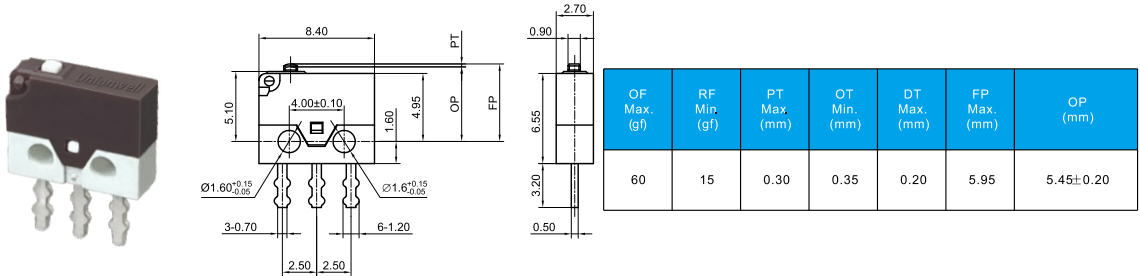


■ Terminal Style

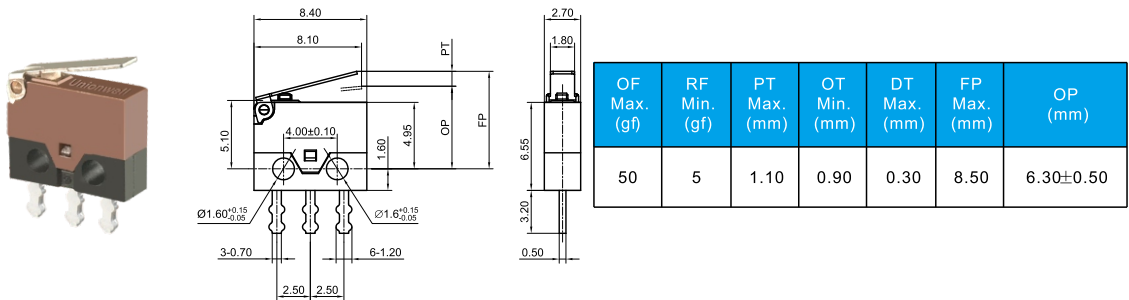
P: Standard PCB Terminals	D: Long PCB Terminals
<p>Unionwell</p> <p>3-0.70 2.50 2.50 6-1.20 3.20 0.50</p>	<p>Unionwell</p> <p>3-0.70 2.50 2.50 6-1.20 5.10 0.50</p>
L: Left Side PCB Terminals	R: Right Side PCB Terminals
<p>Unionwell</p> <p>0.70 1.20 2.50 2.50 1.60 1.50</p>	<p>Unionwell</p> <p>1.20 0.70 2.50 2.50 1.50 1.60</p>

■ Dimensions and Operating Characteristics

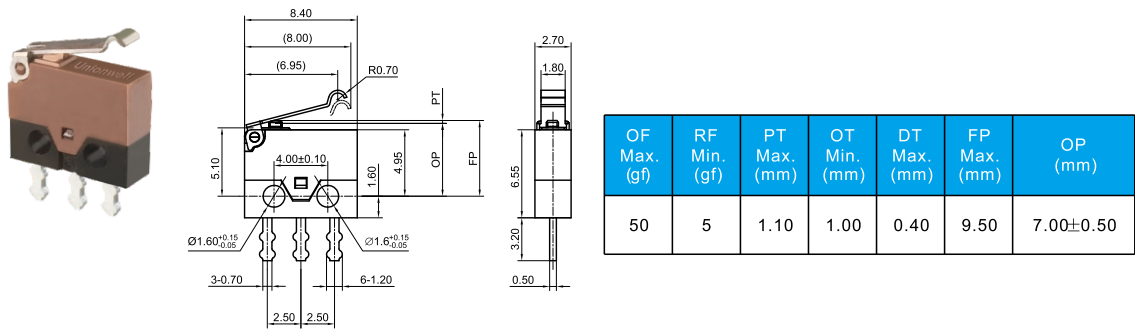
◆ G15D01-60P00WAuU



◆ G15D01-15P03WAuU



◆ G15D01-15P04WAuU



◆ G15D01-15P06WAuU

