

G25 Series

Subminiature Push Button Switch



■ Production Features

- ◆ High contact reliability push-button switches for micro loads
- ◆ High stability in high temperature environment
- ◆ Have two function modes of self-locking and non-locking
- ◆ Feel smooth and good operating experience
- ◆ There are two welding process options of DIP and SMT

■ Application

- ◆ Home Appliance
- ◆ Electronic Equipments
- ◆ Automatic Equipments
- ◆ Communication Equipments
- ◆ Auto Electronics
- ◆ Apparatus and Instruments

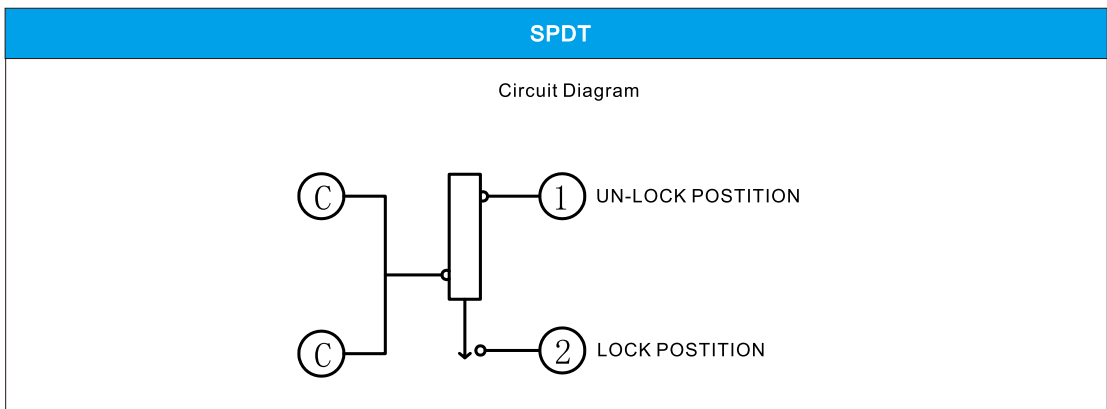
■ Parameters

Operating Frequency		15~20 cycles/min
Insulation Resistance		≥3MΩ (at 100VDC)
Contact Resistance (Initiative)	with terminals type	≤100mΩ
Dielectric Strength	Between terminals	AC100V, 50/60Hz, 1min.
	Between terminals and uncharged metal parts	AC100V, 50/60Hz, 1min.
Service Life	Electrical	300,000 cycles (15~20 cycles/min) 50mA 18VDC 50μA 5VDC
	Mechanical	300,000 cycles (30 cycles/min)
Operating Temperature		-40~+80°C 60% RH (No ice, no frost)
Operating Humidity		95% RH (+5~+35°C)

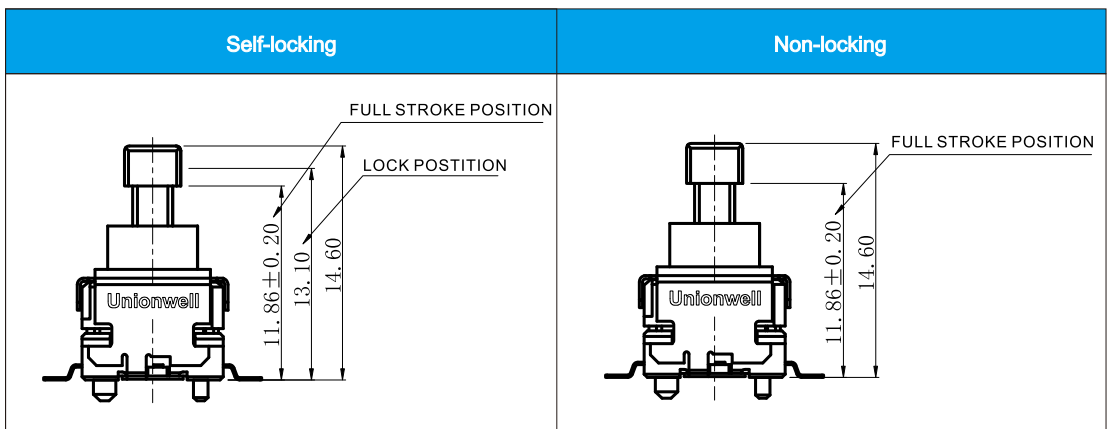
G25 Series Micro Switch Ordering Instruction

G25	1	1	1	1	U
Switch Type	Overtravel	Operating Force	Terminal Shape	Function	LOGO
Switch Type	1 1.5mm	1 300gf	1 SMD terminal	1 Self-locking	U Unionwell
	2 Non-locking	2 500gf	2 DIP	2 Non-locking	... Other
		3 360gf			

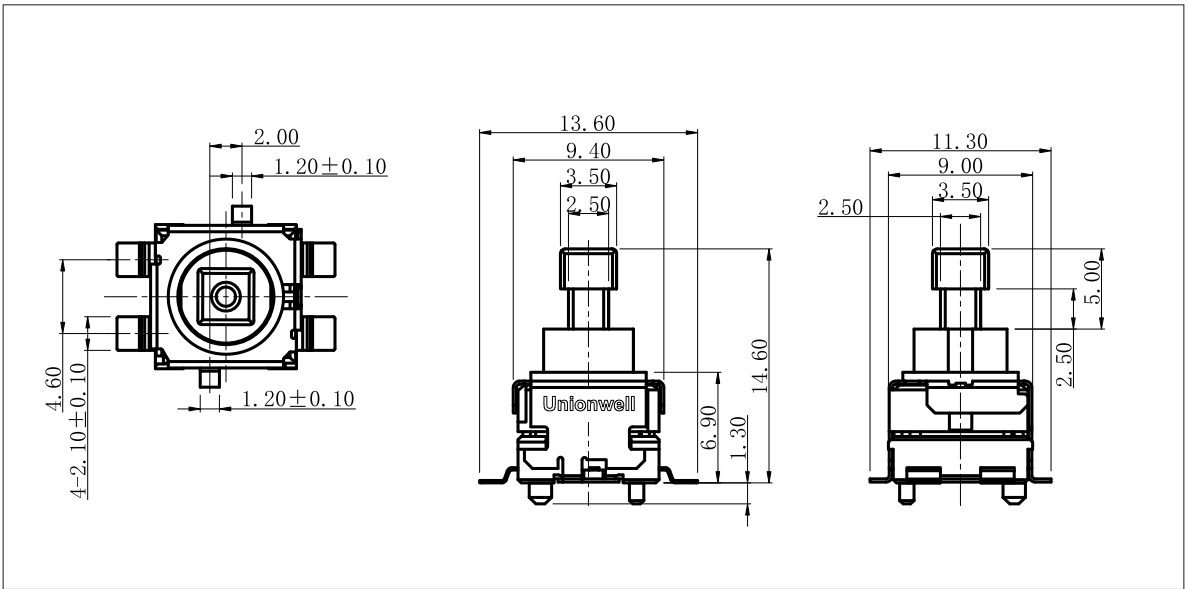
■ Circuit



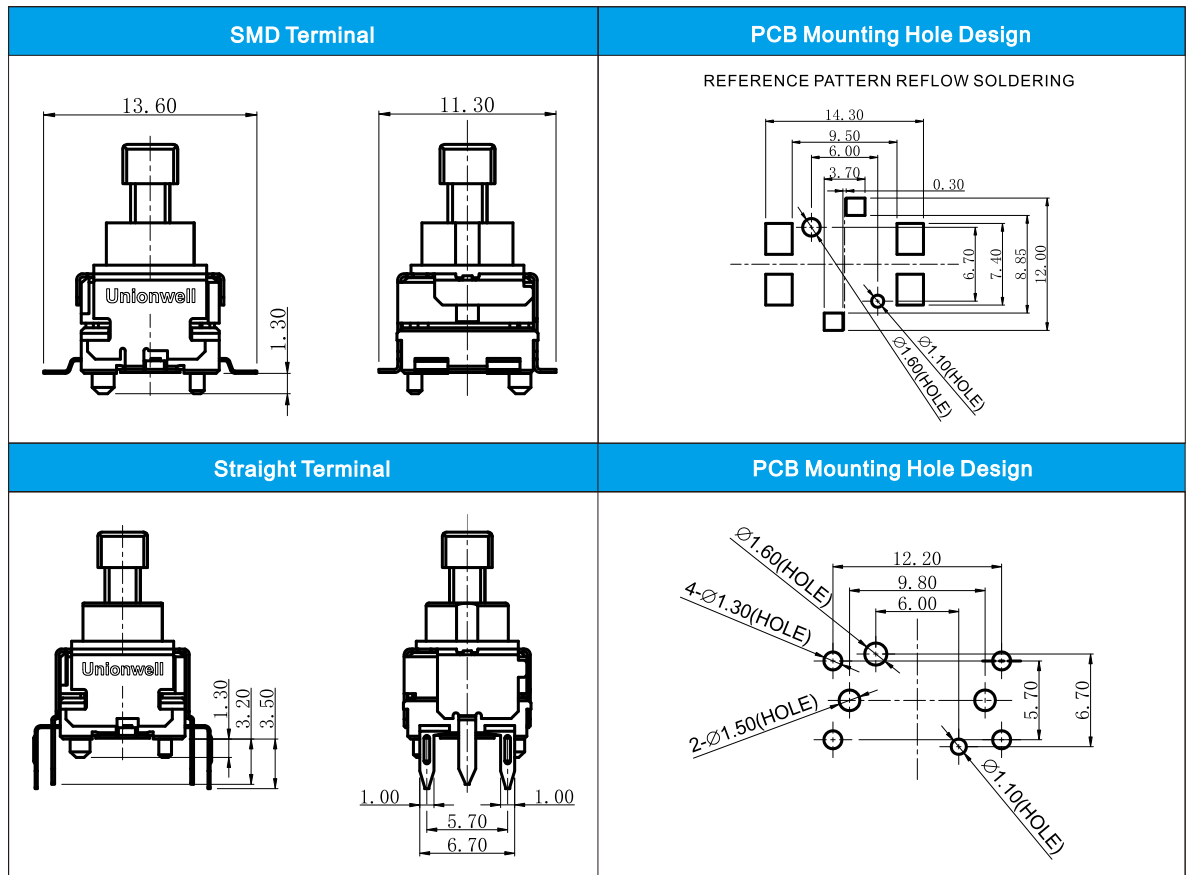
■ Function type



■ Shape and Dimensions

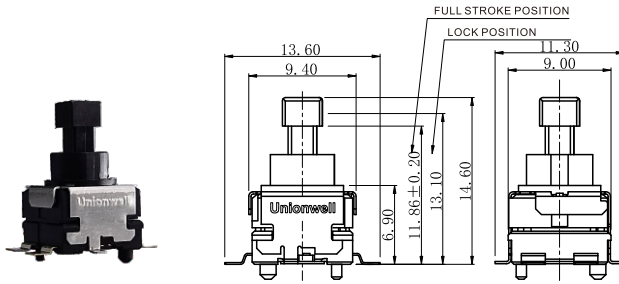


■ Switch Terminal Type (can be customized)



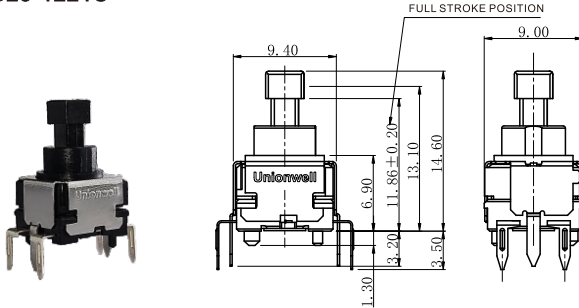
■ Dimensions and Operating Characteristics

◆ G25-1111U



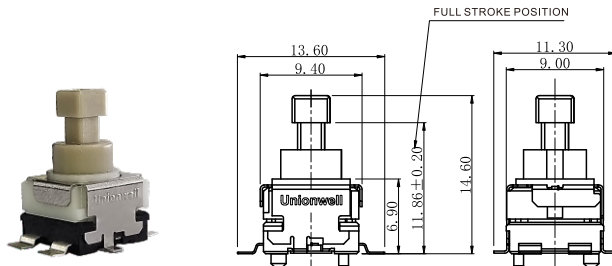
OF Max. (gf)	TTP Max. (mm)	FP Max. (mm)	LOCK POSITION (mm)
300±70	11.86	14.60	13.10±0.3

◆ G25-1221U



OF Max. (gf)	TTP Max. (mm)	FP Max. (mm)	LOCK POSITION (mm)
360±70	11.86	14.60	13.10±0.3

◆ G25-2312U



OF Max. (gf)	TTP Max. (mm)	FP Max. (mm)	LOCK POSITION (mm)
300±70	11.86	14.60	13.10±0.3