

## G22 Series

### Automotive Micro Switch



#### ■ Features

- ◆ Tight configuration, sliding contact, long travel
- ◆ Long life, high reliability
- ◆ Widely used in home appliances, electronic equipments, automatic machines, communication equipments, auto door switch

#### ■ Application

- ◆ Home appliances
- ◆ Electronic devices
- ◆ Automatic equipment
- ◆ Office equipment
- ◆ Auto electronics

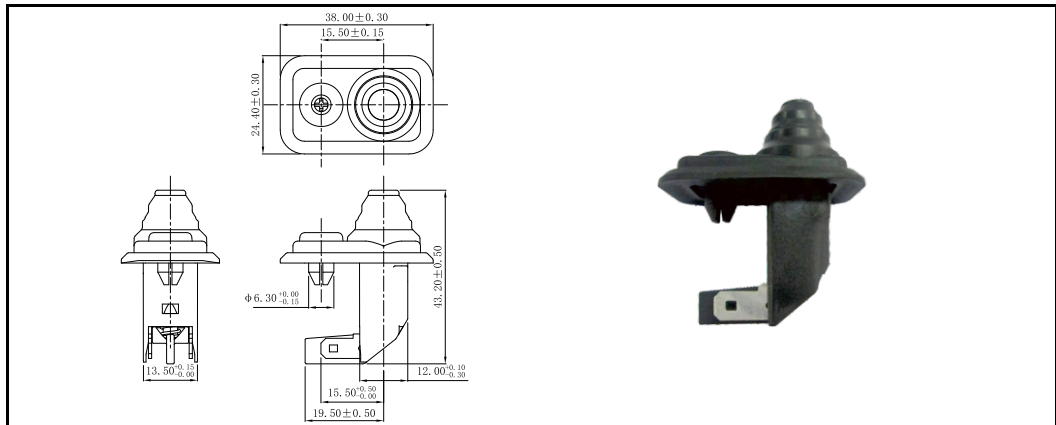
#### ■ Parameters

Operating Frequency		Mechanical: 30 cycles/min; Electrical: 10 cycles/min.
Insulation Resistance (at 500VDC)		≥10MΩ
Contact Resistance (Initial Value)		≤100mΩ
Voltage Resistance	Between each terminals of the same polarity	AC1,000V, 50/60Hz, 1min.
	Between current-carrying metal part and ground and between each terminals and non-current-carrying metal parts	AC1,500V, 50/60Hz, 1min.
Vibration Durability		10-55Hz, Double amplitude 1.5mm
Operating Temperature		-40~85°C
Operating Humidity		85% RH Max.
Service Life	Electrical	50,000 cycls
	Mechanical	100,000 cycls

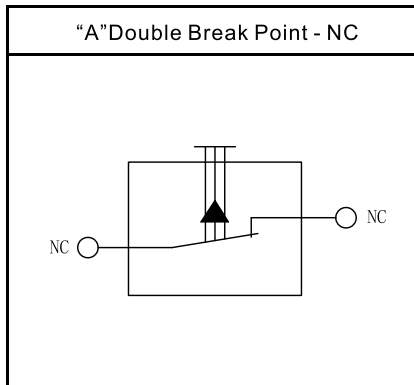
**G22 Series Auto Door Switch Ordering Instruction**

G22	04	10	A	A	T001	U
Switch Type	Electrical Rating	Max Operating Force at Pin Plunger	Terminal Type	Circuitry	Custom Code	LOGO
04	Rating: 4A 14VDC Temperature grade: 40T85	10 10N Max	A 250#quick connect Terminals	A DPDT+NC	General	U Unionwell
...	Other	15 15N Max	...		Customized according to requirements, the code format is T+ serial number XXX for example:T001	... Other
Switch Type		20 20N Max	Special Terminals			
		... Other				

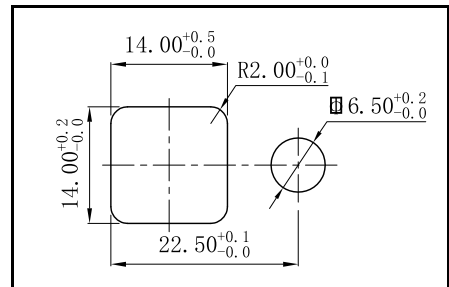
## Shape Characteristics



## Circuitry

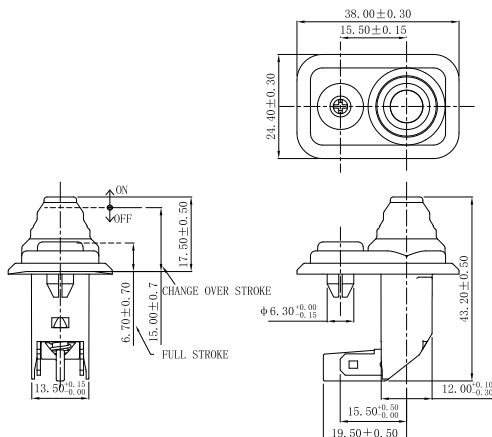


## Mounting Hole Location



## Dimensions and Operating Characteristics

### Pin Plunger



Parameters

Type	FP (mm)	OP (mm)	OF Max.(N)	PT (mm)	TTP (mm)
G2204-10AA	17.5±0.5	15±0.7	10	2.5±1.2	8.7±0.7
G2204-15AA	17.5±0.5	15±0.7	15	2.5±1.2	8.7±0.7
G2204-20AA	17.5±0.5	15±0.7	20	2.5±1.2	8.7±0.7