

G23A Series

Motor Electronic Lock for Charging



■ Features

- ◆ High-density sealed motor electronic lock, meeting IP67 requirements
- ◆ Reliable locking, manual and automatic unlocking are available
- ◆ Accurate locking or unlocking positioning and clear gear
- ◆ The motor electronic lock is sensitive to forward and reverse conversion, with long service life, stable and reliable

■ Application

- ◆ Charging gun

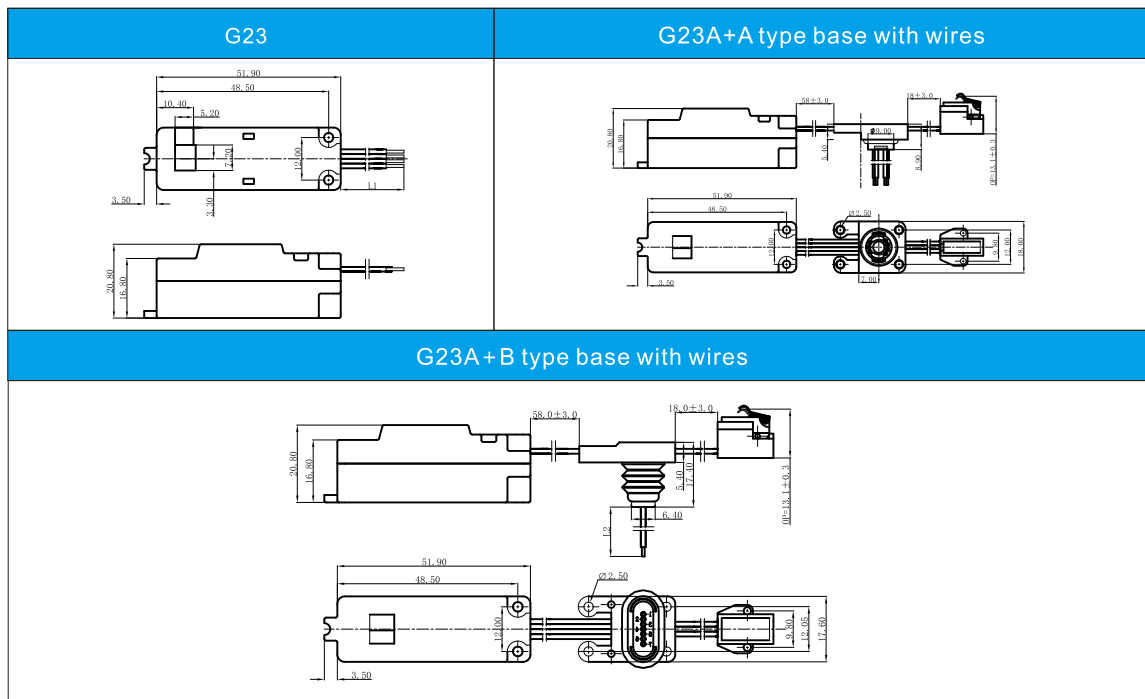
■ Parameters

Rating		12VDC
Insulation Resistance		100MΩ Min.
Dielectric Strength		500VAC (50~60Hz)
Degree of Protection		IEC IP67 (Drive roller and housing excluded)
Work Temperature		-40°C~+85°C
Work Humidity		45% RH~85% RH
Service Life	Electrical	60,000 cycles
	Mechanical	60,000 cycles (Min.)
Operating Frequency	Electrical	20 cycles/min
	Mechanical	20 cycles/min
Operating Features (At 12VDC)	(OF)	700g.cm (Min.)
	(HF)	250g.cm (Min.)
	(PT)	45° ±5°
	Shaft Strength	200N (No mechanical damage under vertical axial force)
	(OF)	250g.cm (Min.)

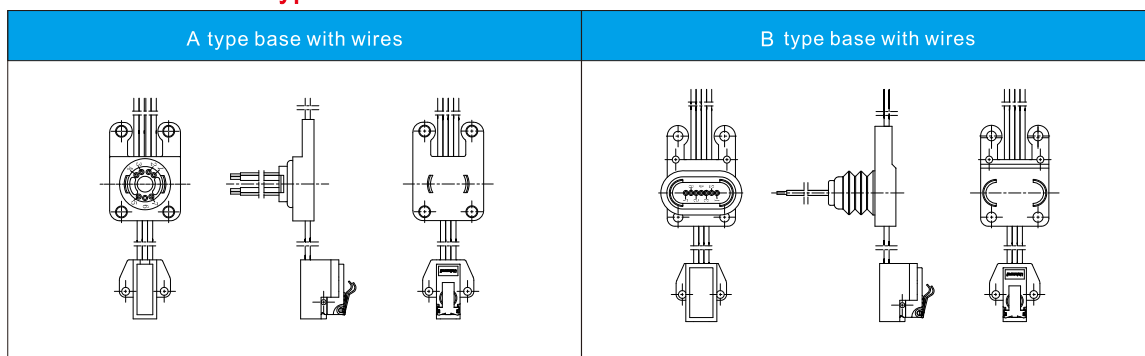
G23A Series Motor Electronic Lock Ordering Model Guide

G23A	250	A	B	01	A	300	A	A	T001
G23A Electronic Lock Series	Torque	Wire Spec	Feedback Switch Function	Manual Unlocking Type	Wire Type	Wire Length	Conductor Holder Type	Resistance combination	Custom Code
G23A Series	250 250g.cm (Min.)	A 26# AWG	A (NC)	A None	A AVSS	00 None	N None	N None	General
		B 24# AWG	B (NO)	"-" type base unlock	B UL1007	300 300mm Wire Length Motor Positive Red Wire Negative Black Wire COM Terminal White Wire NC Orange Wire	A A type base with wires	A Switch Built-in Resistor Resistance Combination R1=1K Ω ; R2=1K Ω	Customized according to the code requirements, the code format is T+serial number XXX, for example: T001
	C 22# AWG	Other	"+" type base unlock	C UL1061	500 500mm Wire Length Motor Positive Red Wire Negative Black Wire COM Terminal White Wire NC Orange Wire	B B type base with wires	B Switch Built-in Resistor Resistance Combination R1=220 Ω ; R2=3.3K Ω	...	
	D 20# AWG	Other		D UL1332				C Switch Built-in Resistor Resistance Combination R1=1.5K Ω ; R2=1.8K Ω	Other
				E UL1430				D Switch Built-in Resistor Resistance Combination R1=2.0K Ω ; R2=2.7K Ω	
				F UL1571				E Switch Built-in Resistor Resistance Combination R1=2.0K Ω ; R2=1.5K Ω	
				G FLY-A				F Switch Built-in Resistor Resistance Combination R1=100 Ω ; R2=3.3K Ω	
				H UL3266				G Switch Built-in Resistor Resistance Combination R1=1.0K Ω ; R2=3.3K Ω	
								H Switch Built-in Resistor Resistance Combination R1=150K Ω ; R2=330K Ω	
								J Switch Built-in Resistor Resistance Combination R1=680 Ω ; R2=2.7K Ω	

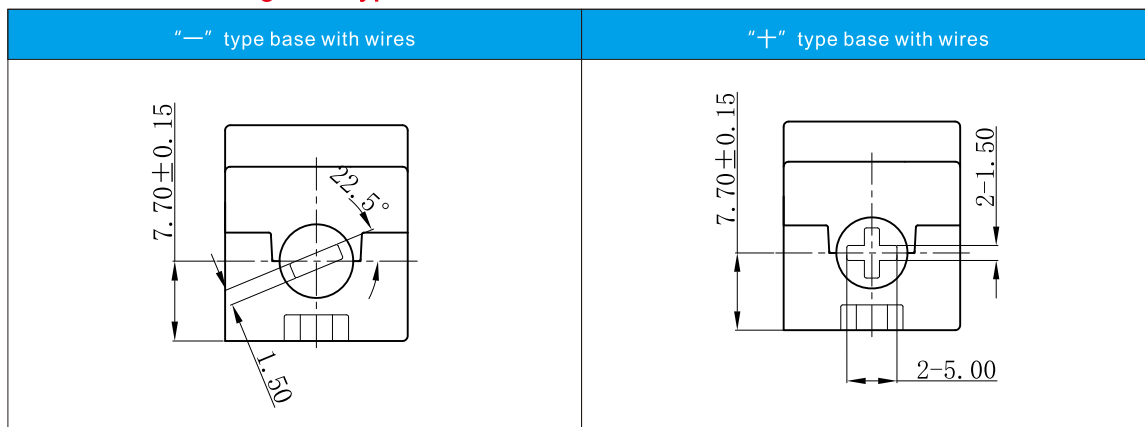
Basic Overall Dimensions and Installation Dimensions



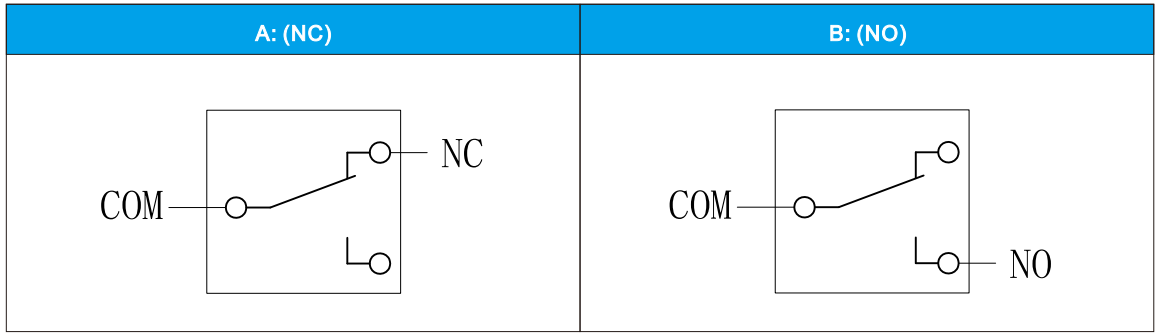
Base With Wires Type



Manual Unlocking Port Type

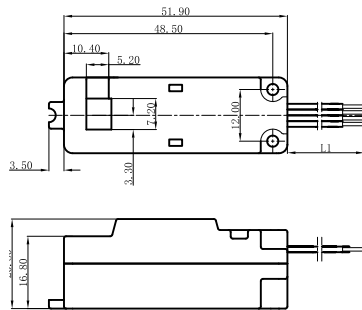


Feedback Switch Function



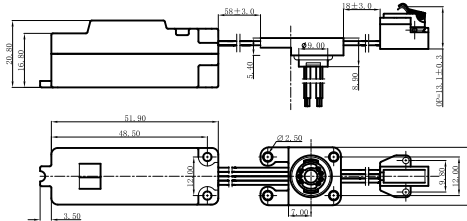
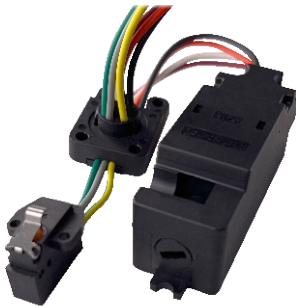
Dimensions and Operating Characteristics

◆ G23A-250BB02AXXXNNU



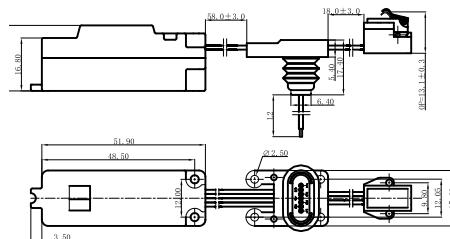
OF	HF	PT	Shaft Strength	OF
700g.cm (Min)	250g.cm (Min)	45°±5°	200N Vertical Axial Force Without Mechanical Damage	250g.cm (Min)

◆ G23A-250AB02A300AAU



OF	HF	PT	Shaft Strength	OF
700g.cm (Min)	250g.cm (Min)	45°±5°	200N Vertical Axial Force Without Mechanical Damage	250g.cm (Min)

◆ G23A-250AB02A300ABU



OF	HF	PT	Shaft Strength	OF
700g.cm (Min)	250g.cm (Min)	45°±5°	200N Vertical Axial Force Without Mechanical Damage	250g.cm (Min)

G23B Series

Motor Electronic Lock for Charging



■ Features

- ◆ High-density sealed motor electronic lock, meeting IP54 requirements
- ◆ Reliable locking, manual and automatic unlocking are available
- ◆ Accurate locking or unlocking positioning and clear gear
- ◆ The motor electronic lock is sensitive to forward and reverse conversion, with long service life, stable and reliable

■ Application

- ◆ Charging Gun

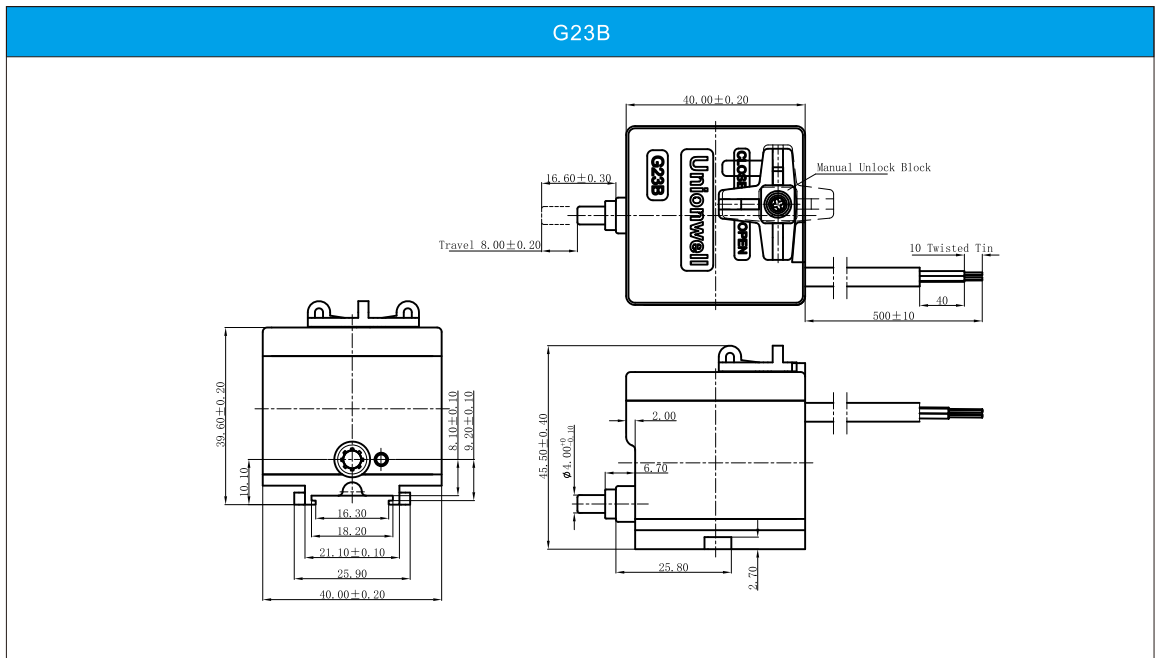
■ Parameters

Rated Voltage	12VDC (pulse)	
Voltage Range	12±10% VDC.	
Motor No Load Current	≤50mA	
Motor Lock Current	≤500mA	
Response Time	≤100mS	
Maximum Power on Time	3S (No long time conduction)	
Locking Time	≤300mS	
Unlocking Time	≤300mS	
Triggering Time at 12VDC	0.25S<t<1S	
Functional Angle	≤90°	
Insulation Resistance	100 MΩ Min	
Dielectric Strength	500VAC (50~60Hz)	
Degree of Protection	IEC IP54 Except driving wheel and push rod active cavity	
Operating Temperature	-40°C~+85°C	
Operating Humidity	45%RH~85%RH	
Service Life	Electrical	30,000 cycles
	Mechanical	30,000 cycles (Min.)
Operating Frequency	Electrical	18 cycles/min
	Mechanical	18 cycles/min
Operating Features (At 12VDC)	HF	300g (Min.)
	Fracture Force	200N
	PT	8.0mm±0.20mm
	OF	300g.cm (Min.)

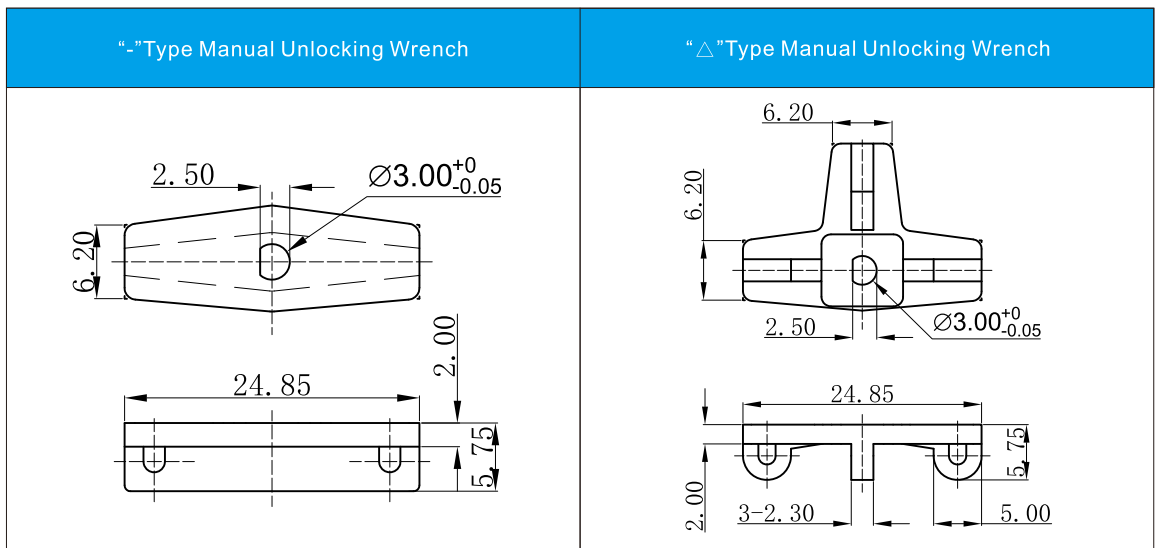
G23B Series Motor Electronic Lock Ordering Model Guide

G23B	500	A	B	1	A	300	T001	U
Electronic Lock Series	Torque	Terminal Spec.	Feedback Switch Function	Manual Unlocking Knob Type	Wire Type	Wire Length	Custom Code	LOGO
G23B Series Motor Electronic Lock	500g.cm (Min.)	A 26# AWG	A NC	00 None	A UL2464	000 None	General	Unionwell
	...	B 24# AWG	B NO	01 Triangle knob	B UL2463	300 300mm Wire Length Motor Positive Red Wire Negative Black Feedback switch COM terminal with blue wire and NC terminal with green wire (NO terminal with orange wire)	Customized according to requirements, the code format is T+ serial number XXX, for example: T001	U
		C 22# AWG	C (DT)	02 "-" Type manual unlocking wrench	C UL2096	500 500mm Wire Length Motor Positive Red Wire Negative Black Feedback switch COM terminal with blue wire and NC terminal with green wire (NO terminal with orange wire)	...	Other
		D 20# AWG	... Other	... Other	D UL2099	... Other	Other	...
	... Other	... Other			... Other			

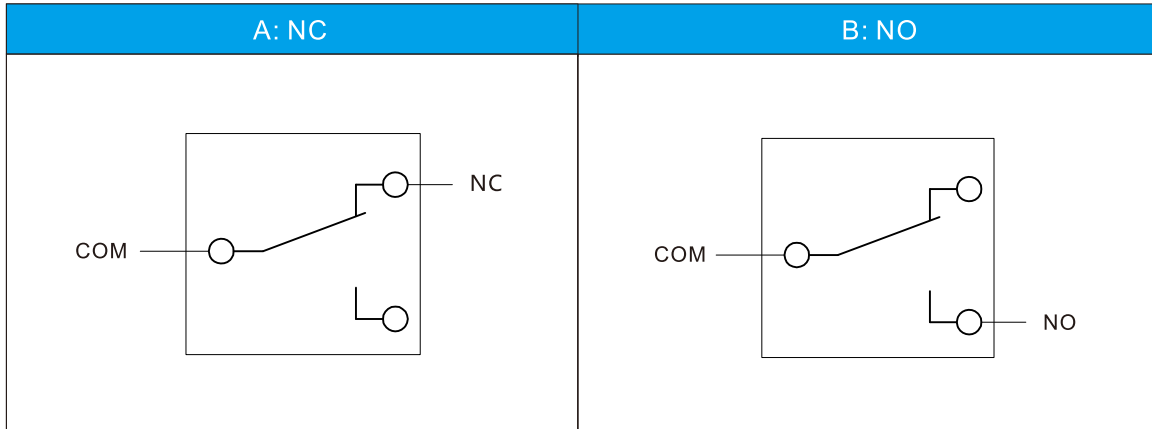
Basic Overall Dimensions and Installation Dimensions



Manual Unlocking Wrench Type



Feedback Switch Function / Mechanical Switch



Dimensions and Operating Characteristics

◆ G23B-500BA01A300U

HF	PT	Rotary Shaft Strength	OF
30N.cm (Min)	8,0±0.2 (mm)	200N Vertical Axial Force Without Mechanical Damage	50N.cm (Min)