

GT04 Series

Mechanical Keyboard Switch-2.5mm Travel



■ Features

- ◆ Ultra-thin profile, 0.31 inch (7.8mm) measuring from PCB (no keycap)
- ◆ Choice of feel: Linear, Soft tactile
- ◆ PCB pin
- ◆ Long life to 20 million operation cycles
- ◆ 12VAC/DC maximum
- ◆ Current rating: 10mA
- ◆ Insulation resistance: < 100MΩ under 100VDC

■ Applications

- ◆ Computer keyboards
- ◆ Cash registers
- ◆ Industrial equipment
- ◆ Man-machine interfaces

■ Specification and Parameters

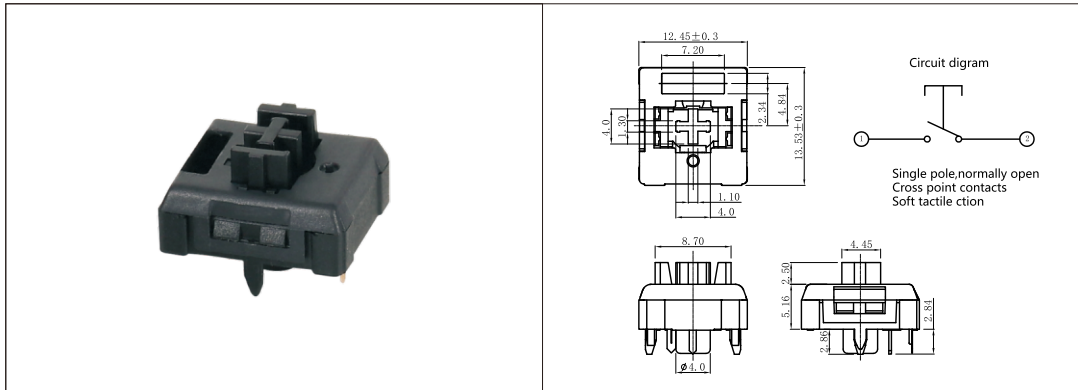
Electrical Characteristics	Rating	12VDC/AC max. 10mA AC/DC max.
	Contact Resistance	200mΩ Max (25mΩ Typical) (Initial Value)
	Insulation Resistance	100MΩ Min
	Voltage Resistance	AC 100V (50-60Hz) 1 Min
	Electrical Life	Over 20,000,000 cycles (Load)
	Bounce Time	5 msec (Operation Speed at 400mm/sec)
Parameters	Operating Force	See Detail Spec
	Pre-travel	1.5±0.4mm
	Total Travel	2.5±0.4mm
	Mechanical Life	Over 20,000,000 cycles (No Load)
	Operating Temperature Range	-40°C~+80°C
	Ambient Humidity	≤85% RH

GT04 Series Keyswitch Ordering Instruction

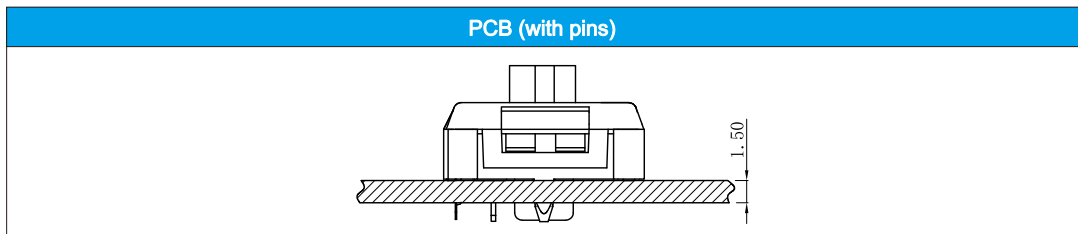
GT04	A	1	B	N	W	T001	U
Switch Type	Contact Material	Code Of Operating Force	Operating Characteristics and Key Style	LED Diode	Mounting Options	Custom Code	LOGO
GT04 Series Keyswitch	A Au Alloy	1 OF=50±20gf	A Momentary, Single Pole, Standard Keyswitch, Black Key	N No LED No Diode	W With Pins	General	U Unionwell
	B Ag Alloy	... Special	B Momentary, Single Pole, Tactile Feel Keyswitch Red Key	D No LED With Diode	... Special	Customized according to requirements, the code format is T+serial number XXX, for example: T001	... Other
	... Special	... Special	... Special	F RGB full color LED		... Other	
				... Special			

■ Dimensions

(Unit:mm)



■ Mounting Options



■ Circuit Board Layouts

◆ PCB (with pins)

