



**DAMAVO** | **CATALOGUE**  
SINCE 2002



Official website



Whatsapp



Wechat

Tel: 86-752-5779666 5779696

Mobile :+86(0)13418953703 13680723306 Skype:JOYYANG111

QQ:913860049 Wechat: Whatsapp:+86 13418953703

Email: joy@damavo.com or nine@damavo.com

Http://www.damavo.com; www.damavoautoparts.com

## ■ TEAM MESSAGE

**Dear Customers, Partners, and Friends of DAMAVO,**

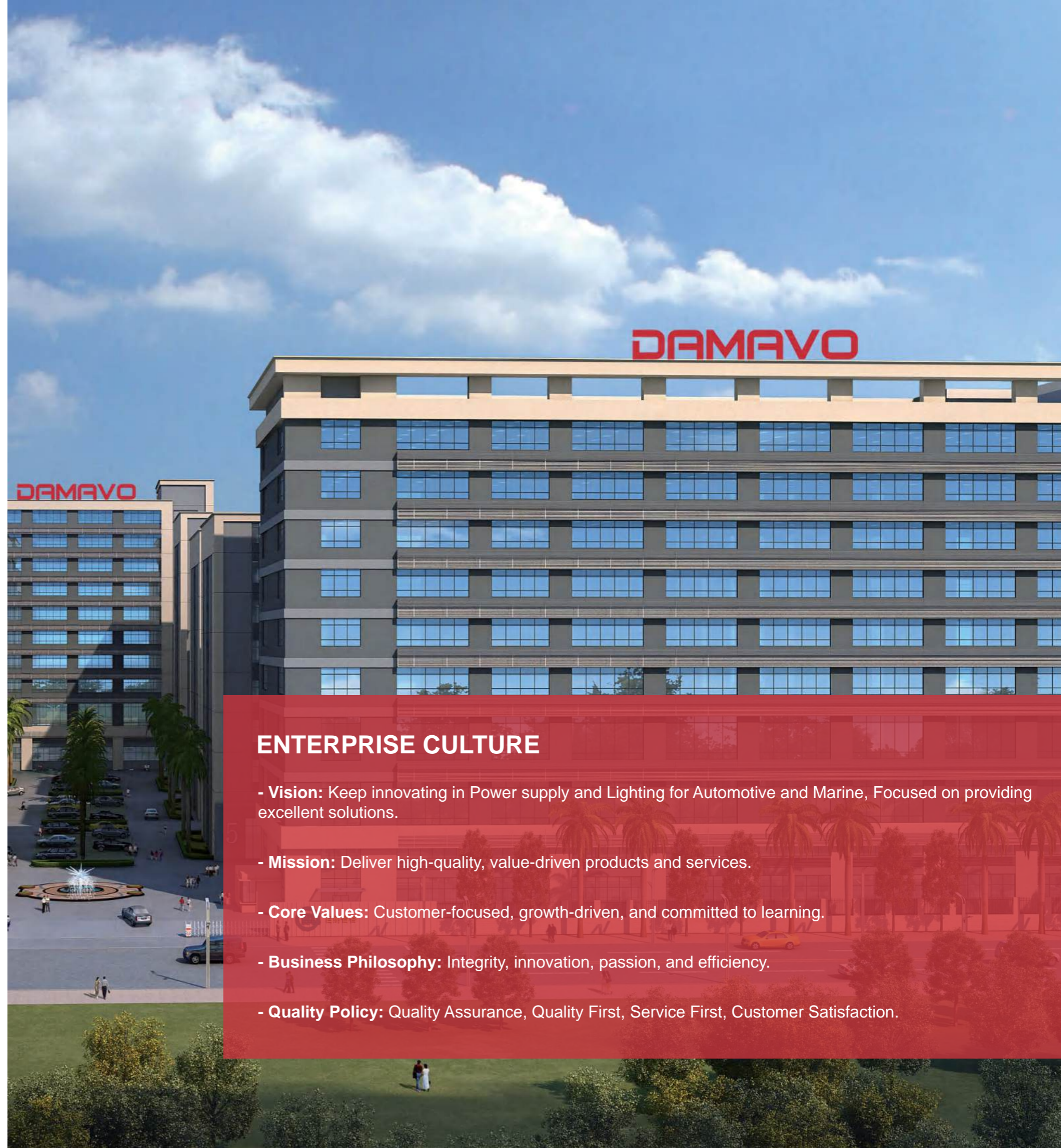
Since our founding in 2002, DAMAVO has evolved from a small wire processing factory into a leading brand in vehicle power and lighting solutions, specializing in switch panel systems, charging solutions, LED lighting, multimedia products and electrical accessories. For over 20 years, we have remained dedicated to our mission: providing reliable quality to create the real value for our customers.

Throughout this journey, we have witnessed rapid industry transformations and learned the importance of perseverance and innovation. Whether navigating the competitive European and American markets or expanding domestically, we firmly believe that **quality is the foundation of our enterprise, trust is its future, and our motivation comes from every one of you who supports us.**

Today, DAMAVO moves forward with a renewed vision. We aspire to be more than just a product supplier—we strive to be a trusted partner, providing expertise and sincerity at every step of your journey.

To our customers who have chosen DAMAVO and to our partners who have walked this path with us, we extend our deepest gratitude. Your trust and collaboration give meaning to our persistence and progress. Looking ahead, we will uphold our "**customer-first**" philosophy, continuously raising our standards to deliver even better products and services.

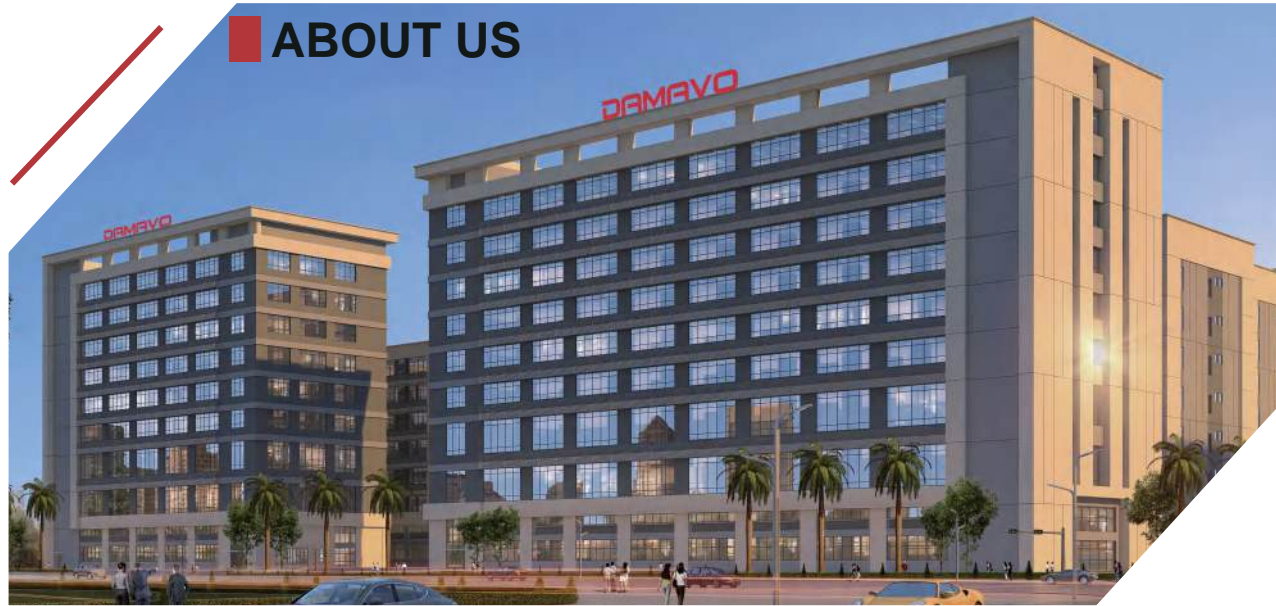
Together, let us embark on a new chapter and build a brilliant future!



### ENTERPRISE CULTURE

- **Vision:** Keep innovating in Power supply and Lighting for Automotive and Marine, Focused on providing excellent solutions.
- **Mission:** Deliver high-quality, value-driven products and services.
- **Core Values:** Customer-focused, growth-driven, and committed to learning.
- **Business Philosophy:** Integrity, innovation, passion, and efficiency.
- **Quality Policy:** Quality Assurance, Quality First, Service First, Customer Satisfaction.

## ABOUT US



DAMAVO is a factory with over 20 years of professional experience, certified in IATF:16949 & ISO9001.

Founded in 2002, DAMAVO specializes in the production of safe and durable vehicle power supply and LED lighting accessories. Our product range includes switch panel systems, charging solutions, LED lighting, multimedia products and electrical accessories. These are widely used in various industries, including RVs, trailers, trucks, excavators, heavy vehicles, tractors, agricultural vehicles, forklifts, motorcycles, ships, and more.



Our company operates four standardized production lines and partners with over 10 OEM vehicle manufacturers, serving more than 300 clients worldwide. We offer a portfolio of 4,000+ products to customers across Europe, North America, South America, Japan, South Korea, Southeast Asia, and beyond. As a trusted supplier, DAMAVO is committed to delivering high-quality solutions and outstanding service to both domestic and international markets.



We will carry forward the spirit of solidarity and mutual assistance to make an outstanding team that develops with the enterprise together.



We also hold certifications such as E-mark, RCM, R10, R118, CE, RoHS, FCC, UN38.3 and REACH.

## CERTIFICATIONS








# CATALOGUE

---

Switch Panels	01	
Fuse/Relay Boxes	14	
Rocker Switches	16	
Battery Switches	20	
USB Charger	21	
Wireless Charging	33	
Power Socket	34	
Current & Voltage Display	35	
Connectors & Busbar	36	

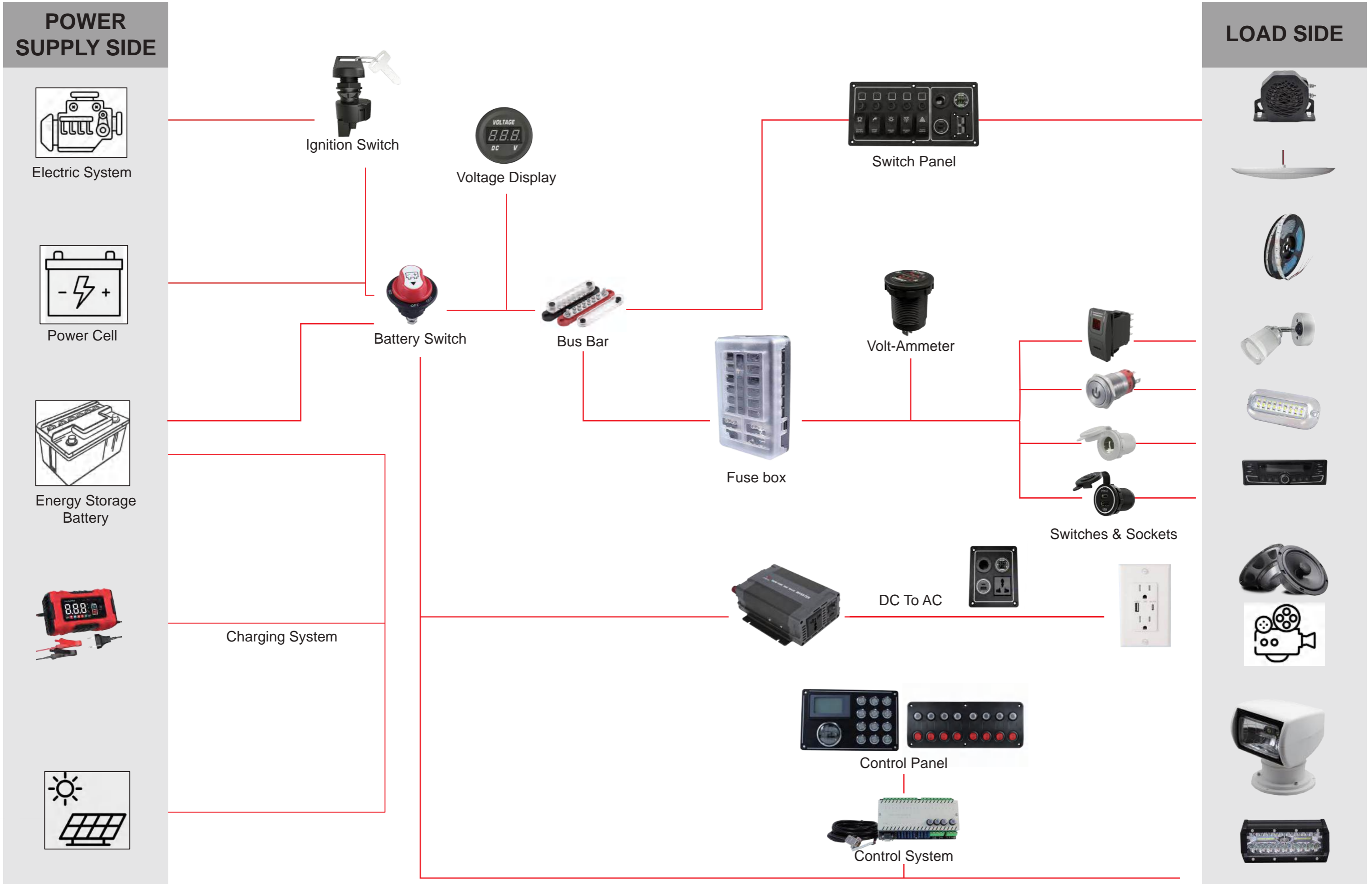
# CATALOGUE

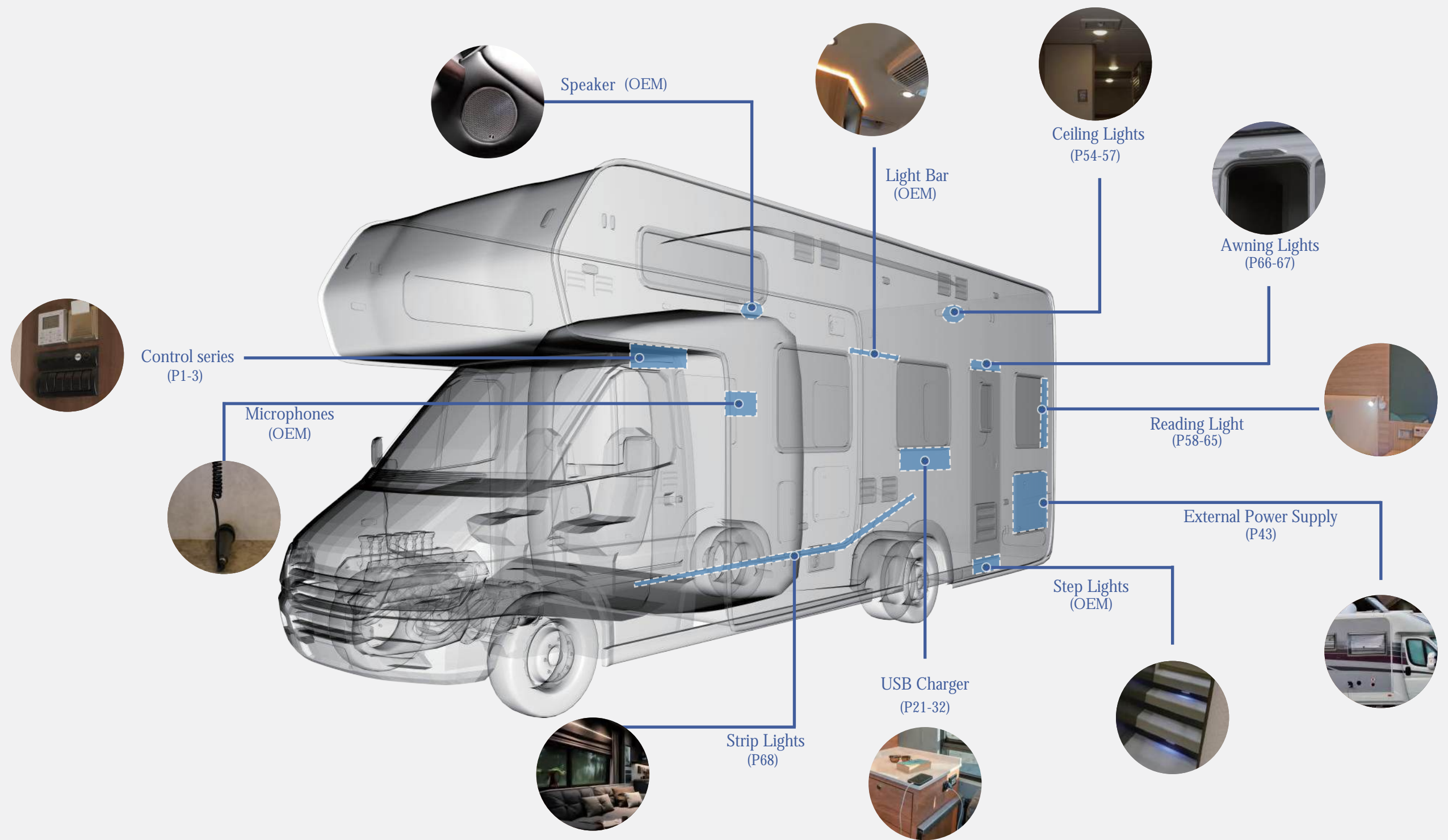
---

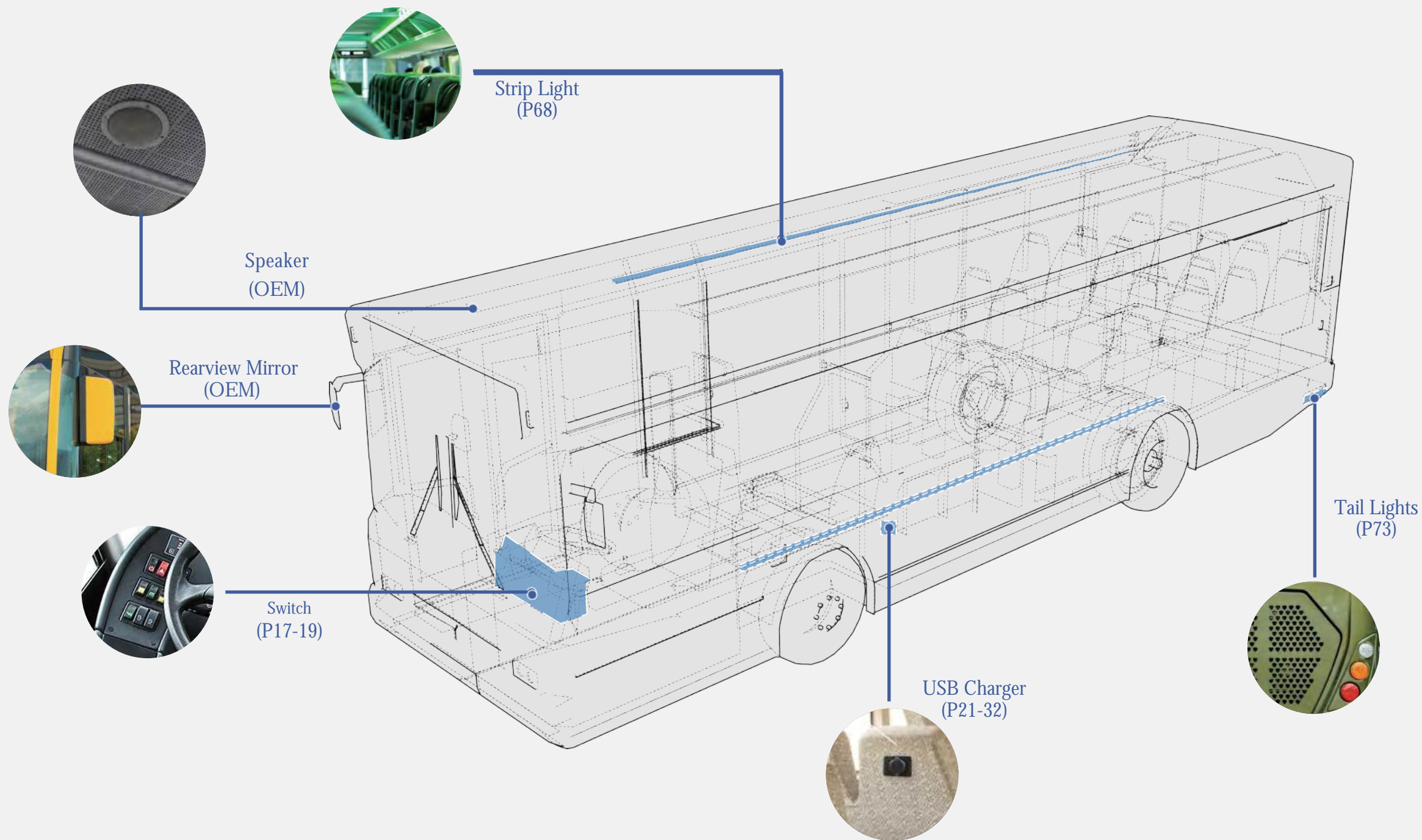
Combination Panels	39	
Battery Charger & Inverter	42	
Car Charger With Cable	46	
Charging Wiring	52	
LED Lights	55	
Audio & Video Series	84	

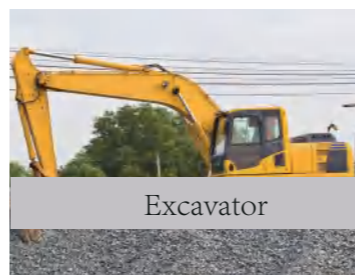
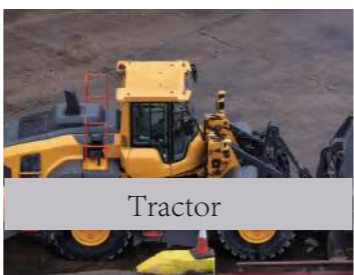
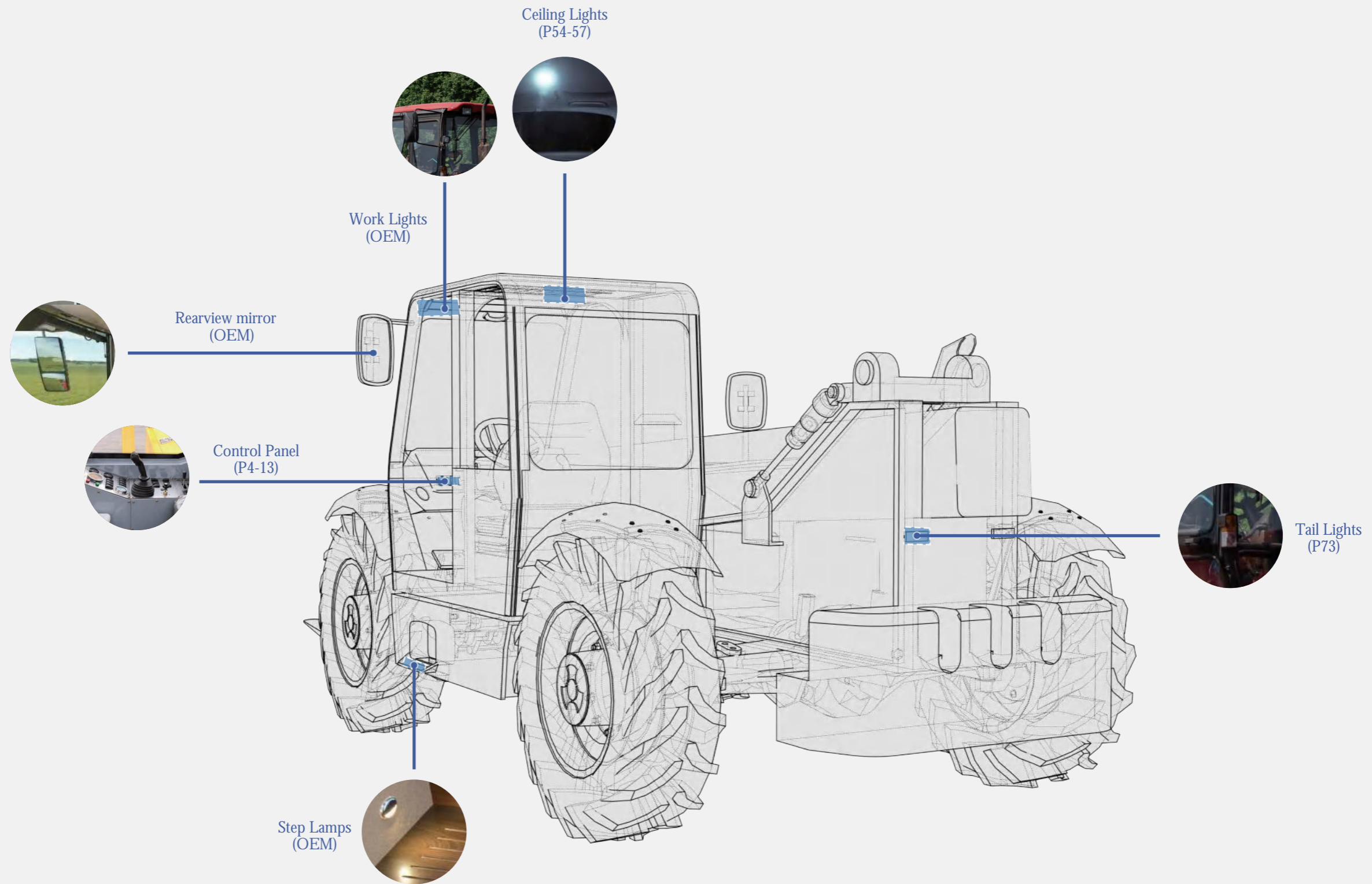
# PRODUCT MAPS

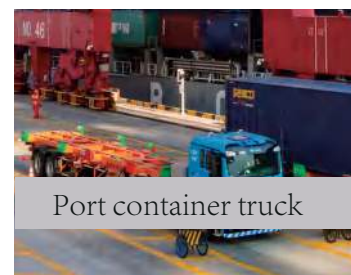
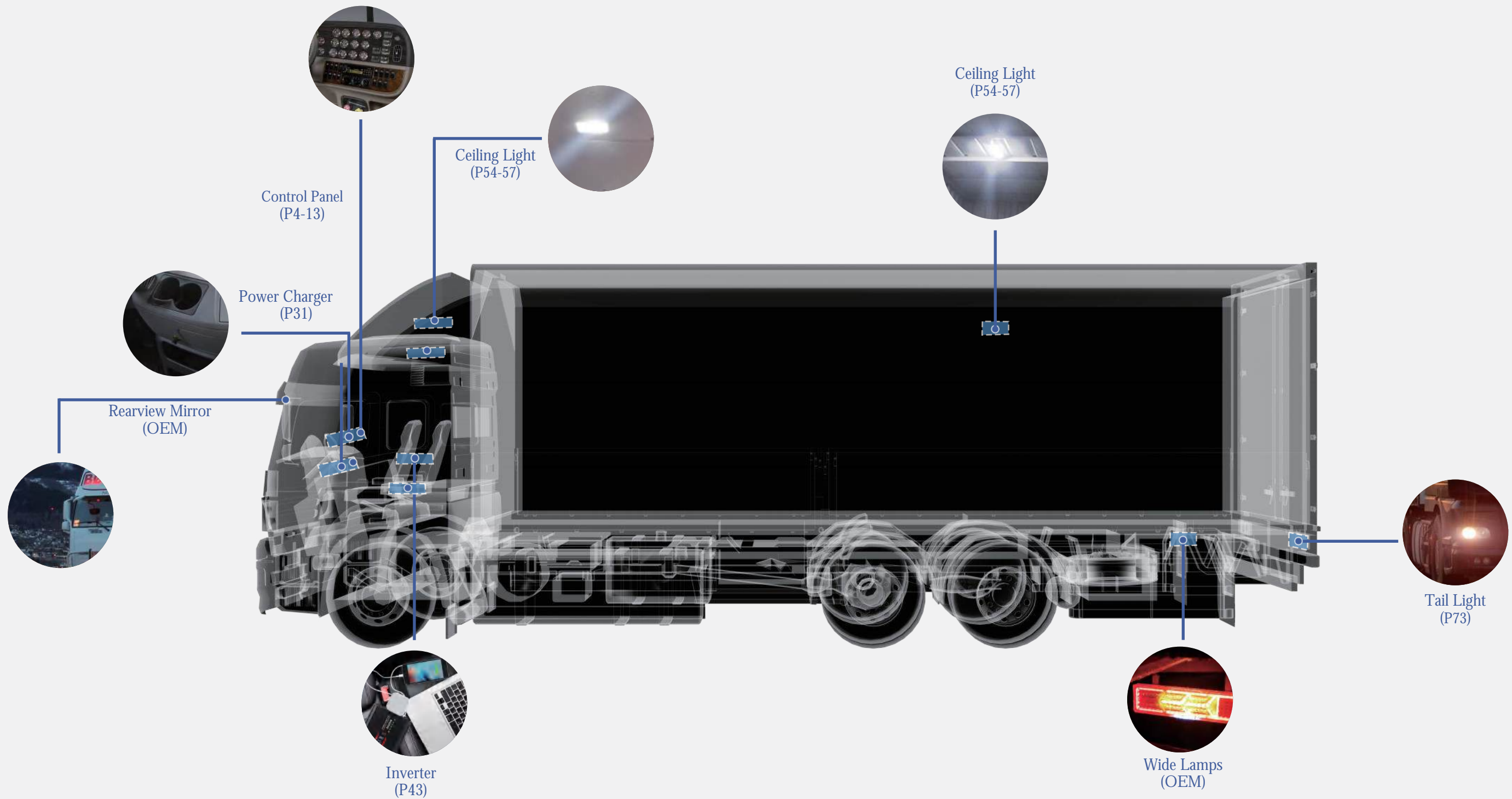
# ELECTRICAL SCHEMATIC

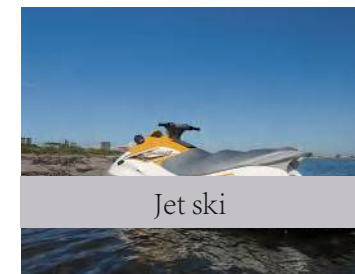
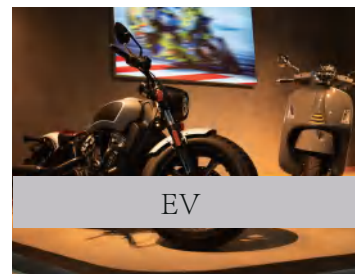
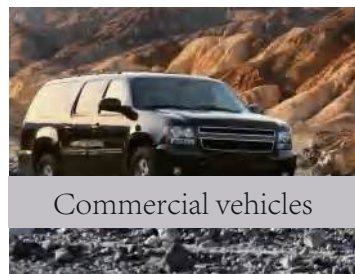
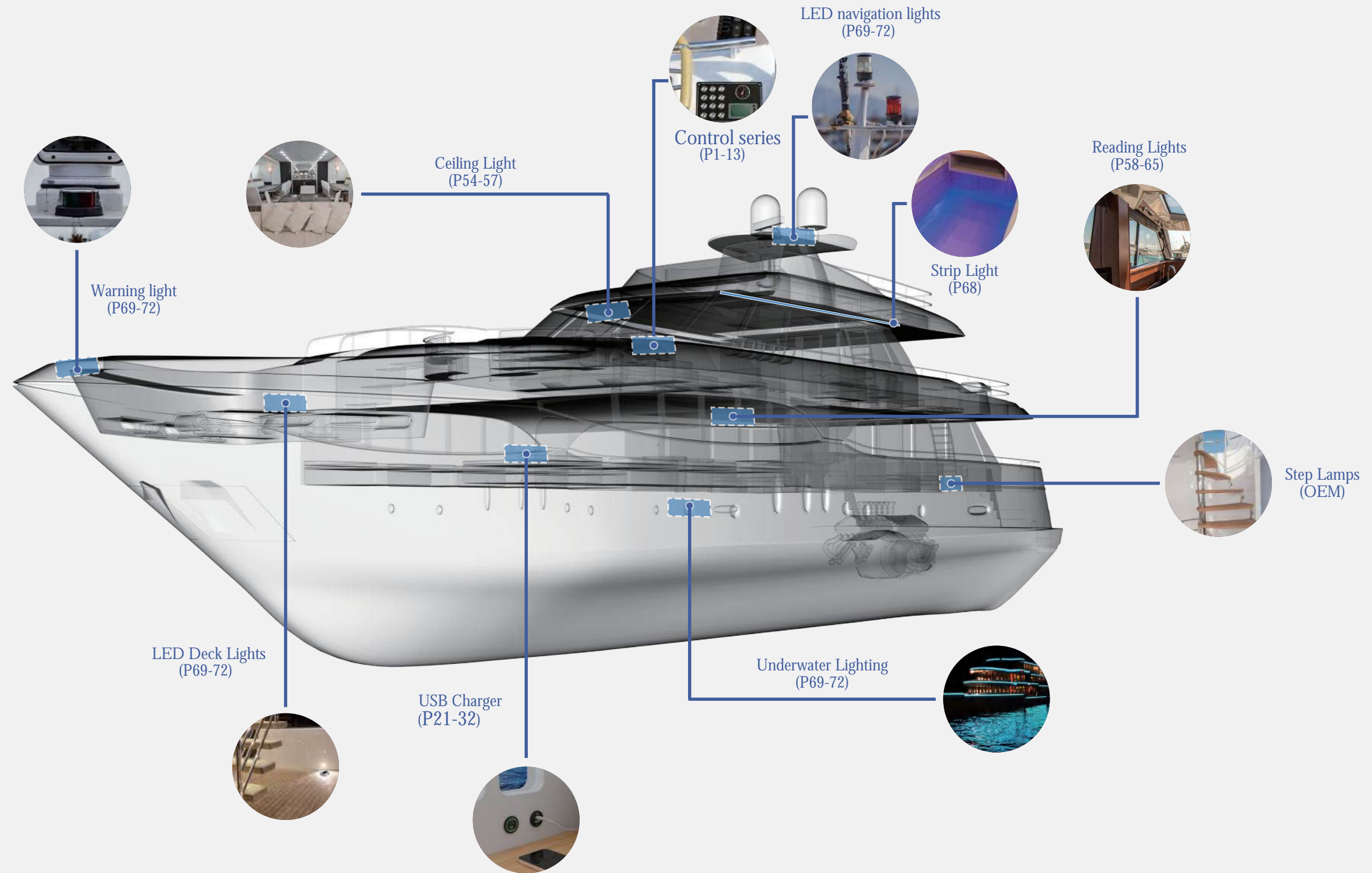


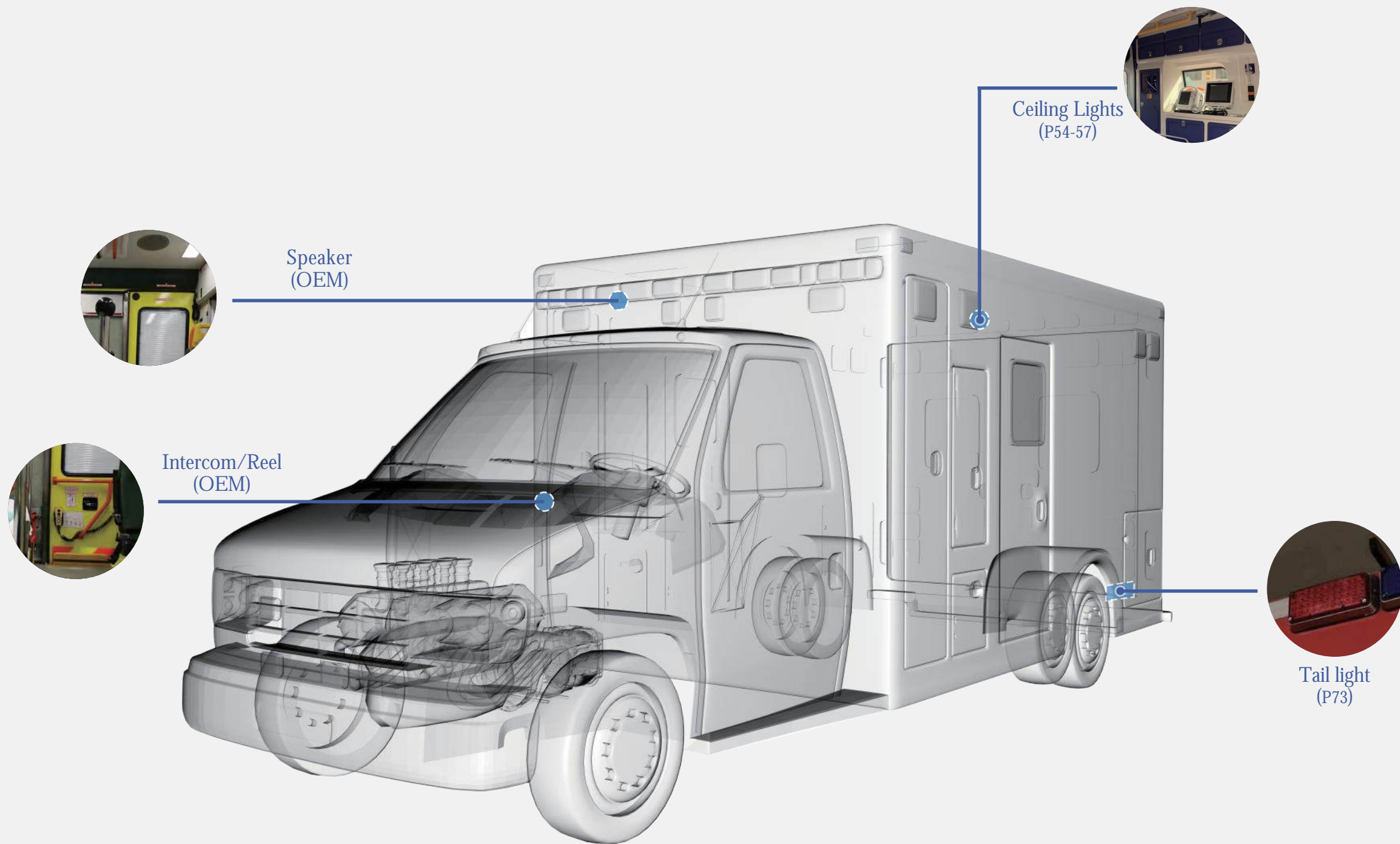












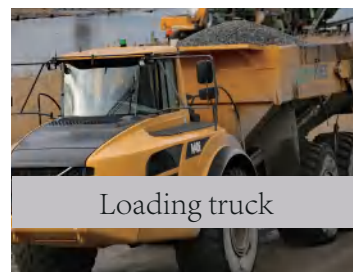
special-purpose vehicle



Military vehicle



Snowplow



Loading truck



Golf carts



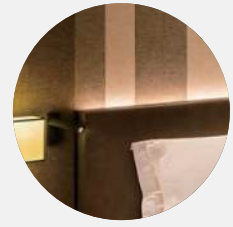
Motorhome



Water bus



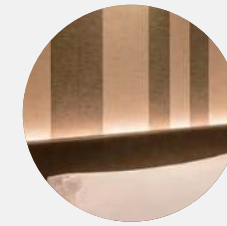
Houseboats



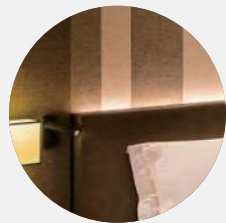
Reading Lights  
(P58-65)



Ceiling Light  
(P54-57)



Strip Light  
(P68)



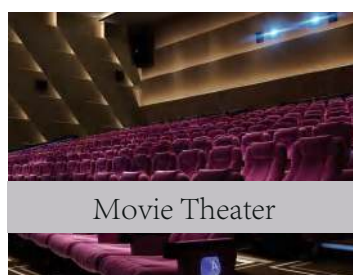
Integrated switch panel  
(P12-13)



Wireless Charger  
(P33)



Waiting hall



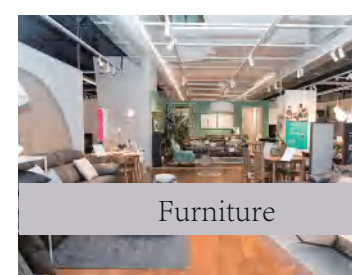
Movie Theater



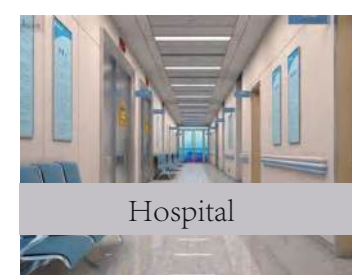
ATV



Boutique Hotel



Furniture



Hospital



Agricultural cultivation



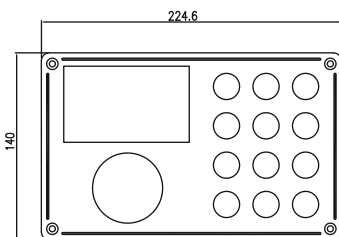
Urban landscape

**YMSAP12G0714P1L-1WM1CT**

**Product details**

12-position metal switch + gray water meter, fresh water meter, voltmeter 2 in 1 + coulometer Control Integration

Material: aluminum alloy  
 Panel size: 224.6\*140mm  
 Mounting hole spacing: 208.2\*125.8mm



**Controller**

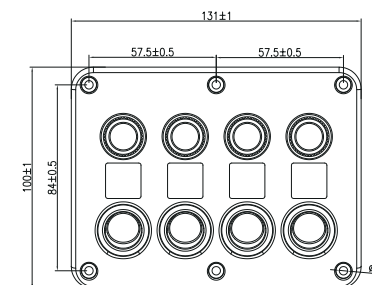
- Number of control channels:
- 12/24V DC 10A Max 6 routes
  - 110V/220V AC 10A Max 4 routes



**YMS-ABS4G0283P4L**

**Product details**

4-bit control integration  
 Switch: DC12-24V 6A\*4  
 LED: red  
 Material: ABS&Nylon&PC  
 Size: 131\*100\*48mm



**Controller**

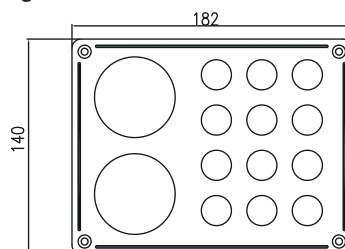
- Number of control channels:
- 12/24V DC 10A Max 6 routes
  - 110V/220V AC 10A Max 4 routes



**YMSAP12G0714P1L-2WM**

**Product details**

12-bit control + 2 water meter control integrated  
 Material: aluminum alloy  
 Panel size: 182\*140mm  
 Mounting hole spacing: 165.6\*123.5mm



**Controller**

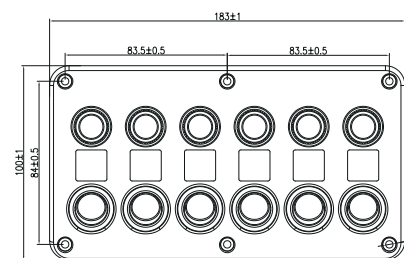
- Number of control channels:
- 12/24V DC 10A Max 6 routes
  - 110V/220V AC 10A Max 4 routes



**YMS-ABS6G0283P6L**

**Product details**

6-bit control integration  
 Switch: DC12-24V 6A\*6  
 LED: red  
 Material: ABS&Nylon&PC  
 Size: 183\*100\*48mm



**Controller**

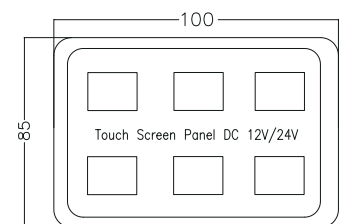
- Number of control channels:
- 12/24V DC 10A Max 6 routes
  - 110V/220V AC 10A Max 4 routes



**YMSABS6G127**

**Product details**

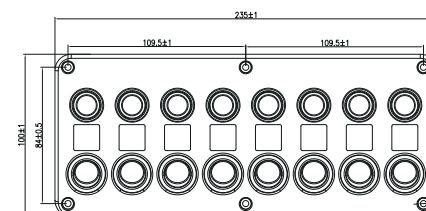
Input voltage: DC12-24V  
 Output voltage: 12V 10A/24V 10A DC  
 LED: Blue  
 Material: ABS&PC  
 Main unit: L:135mm W:85mm H:35mm  
 Panel: L:100mm W:80mm H:25mm  
 Protection grade: IP65



**YMS-ABS8G0283P8L**

**Product details**

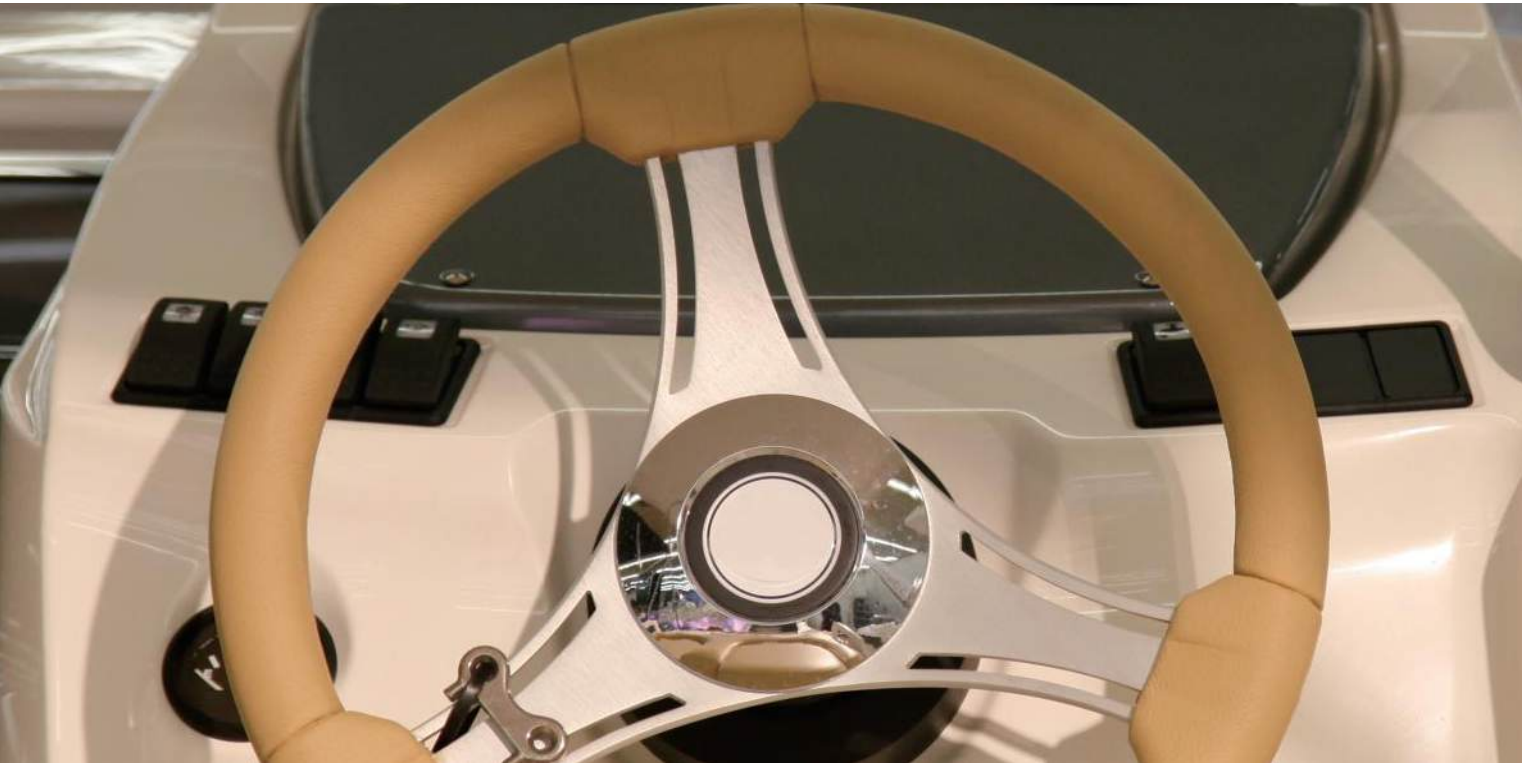
8-bit control integration  
 Switch: DC12-24V 6A\*8  
 LED: red  
 Material: ABS&Nylon&PC  
 Size: 235\*100\*48mm



**Controller**

- Number of control channels:
- 12/24V DC 10A Max 6 routes
  - 110V/220V AC 10A Max 4 routes





**YMS135A**

**Product details**

Control box  
 6-way single-pole fuse box \*1, 5P blue light rocker switch \*5,  
 power socket \*3, USB socket \*1, voltmeter \*1, Anderson  
 socket \*2  
 Material: Aluminum alloy  
 Size: 275\*230\*85mm  
 Anderson Max output: 50A

**Features:**  
 Integrated control, box design and easy  
 installation



**YMS135B**

**Product details**

Control box  
 6-way single-pole fuse box \*1, 5P blue light rocker switch \*5,  
 power socket \*3, USB socket \*1, voltmeter \*1, Anderson  
 socket \*2, 300W pure sine wave inverter \*1  
 Material: Aluminum alloy  
 Size: 400\*330\*85mm  
 Anderson Max output: 50A

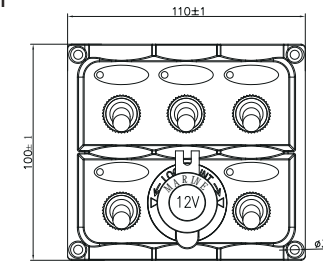
**Features:**  
 Integrated control, box design and easy  
 installation



**YMS-PC5G0102P1L-DC**

**Product details**

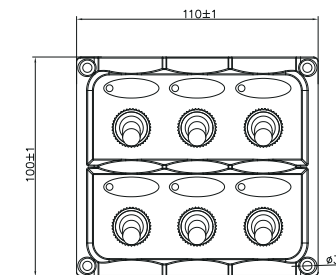
5-position toggle switch + 12V power socket panel  
 Rating: Maximum cumulative current: 45A  
 Toggle switch \*5(12V 20A/24V 10A DC)  
 15A fuse holder \*3  
 Rubber gasket \*1  
 Stainless steel screws \*4  
 Panel size:100.0mm\*110.0mm  
 Hole size:86.0mm\*88.0mm  
 Material:ABS



**YMS-PC6G0102P1L**

**Product details**

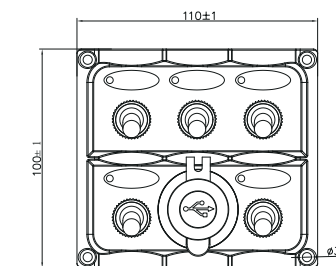
6 Position toggle Switch Panel  
 Rated value:Maximum cumulated current:45A  
 Toggle switch \*6(12V 20A/24V 10A DC)  
 15A fuse holder \*3  
 Rubber gasket \*1  
 Stainless steel screws \*4  
 Panel size:100.0mm\*110.0mm  
 Hole size:86.0mm\*88.0mm  
 Material:ABS



**YMS-PC5G0102P1L-1UAC**

**Product details**

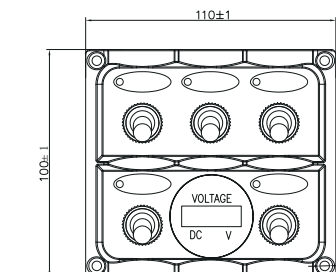
5-position toggle switch +USB charger  
 Rated value:Maximum cumulated current:45A  
 Toggle Switch \*5(12V 20A/24V 10A DC)  
 USB Output: 30W PD3.0+QC3.0  
 15A fuse holder \*3  
 Rubber gasket \*1  
 Stainless steel screws \*4  
 Panel size:100.0mm\*110.0mm  
 Hole size:86.0mm\*88.0mm  
 Material:ABS



**YMS-PC5G0102P1L-1V**

**Product details**

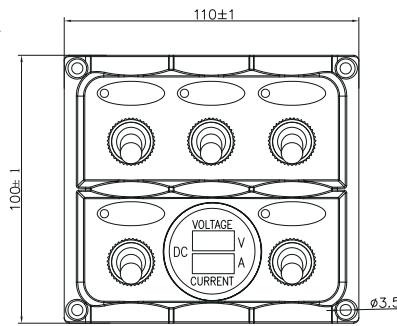
5-position toggle switch + voltmeter  
 Rated value:Maximum cumulated current:45A  
 Toggle switch \*5(12V 20A/24V 10A DC)  
 Voltmeter:Input:6-28V DC Display range:6-30V  
 15A fuse holder \*3  
 Rubber gasket \*1  
 Stainless steel screws \*4  
 Panel size:100.0mm\*110.0mm  
 Hole size:86.0mm\*88.0mm  
 Material:ABS



**YMS-PC5G0102P1L-1AM**

**Product details**

5 Position toggle Switch + Ammeter & Voltmeter  
 Rated value:Maximum cumulative current:45A  
 Toggle switch \*5(12V 20A/24V 10A DC)  
 Current and Voltage Meter:  
 Input:12-24V DC  
 Display range:0-10A,6-30V  
 15A fuse holder \*3  
 Rubber gasket \*1  
 Stainless steel screws \*4  
 Panel size:100.0mm\*110.0mm  
 Hole size:86.0mm\*88.0mm

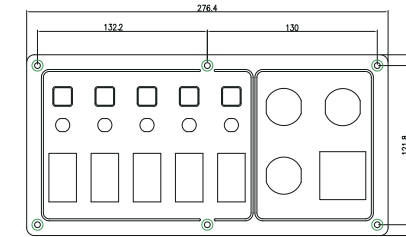


**YMSAP5G0073P1L-1UAC1DC1AM1AN**

**Product details**

Aluminum alloy panel + 5-position fuse + 5-position rocker switch + socket + current voltmeter + USB charger + Anderson socket

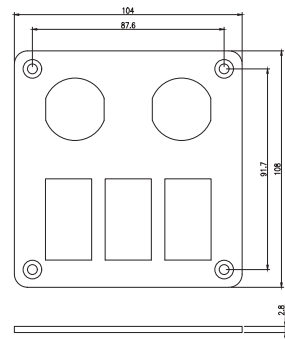
Input Voltage:12-24V  
 Material:Aluminum alloy & Nylon  
 Panel size:276.4\*138.2 mm  
 Mounting hole spacing:262.2\*121.8mm  
 Switch:rocker switch\* 5  
 DC power socket:12V 20A/24V 10A  
 USB output:30W PD3.0+QC3.0  
 Meter Display: 0-10A/6-30V  
 Anderson Connector:12-24V DC 50A Max



**YMSAP3G0073P2L-1UAC1DC**

**Product details**

Aluminum alloy brushed panel + USB charger + socket + 3-position rocker switch  
 Input Voltage:12-24V  
 Material:Aluminum alloy & Nylon  
 Panel size:104\*108mm  
 Mounting hole spacing:87.6\*91.7mm  
 Switch:rocker switch\* 3  
 DC power socket:12V 20A/24V 10A  
 USB Output:5V 4.2

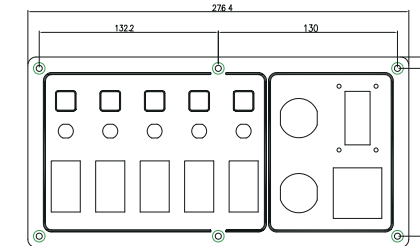


**YMSAP5G0073P1L-1UAC1DC1AC1AN**

**Product details**

Aluminum panel + 5-position fuse + 5-position rocker switch + socket + USB + Anderson socket + three-hole socket

Input Voltage:12-24V  
 Material:Aluminum alloy & Nylon  
 Panel size:276.4\*138.2 mm  
 Mounting hole spacing:262.2\*121.8mm  
 Switch:rocker switch\* 5  
 DC Power Socket:12V 20A/24V 10A  
 USB Output:30W PD3.0+QC3.0  
 Anderson Connector: 12-24V DC 50A Max  
 Universal Socket:110V/220V AC 10A Max

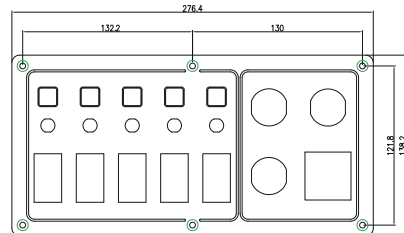


**YMSAP5G0073P1L-1UAC1DC1AM1AC**

**Product details**

Aluminum alloy panel + 5-position fuse + 5-position rocker switch + socket + ammeter-voltmeter + USB charger + three-hole socket

Input Voltage:12-24V  
 Material:Aluminum alloy & Nylon  
 Panel size:276.4\*138.2 mm  
 Mounting hole spacing:262.2\*121.8mm  
 Switch: rocker switch\* 5  
 DC Power Socket:12V 20A/24V 10A  
 USB output: 30W PD3.0+QC3.0  
 Meter display: 0-10A/6-30V DC  
 Universal Socket:110V/220V AC 10A Max

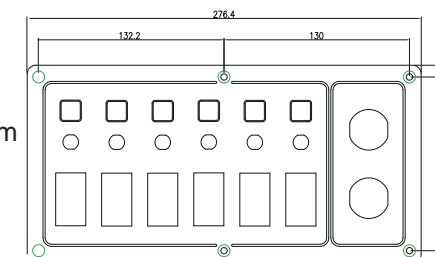


**YMSAP6G0073P1L-1DC1UAC**

**Product details**

Aluminum panel + 6-position fuse + 6-position rocker switch + socket + USB charger

Input Voltage:12-24V  
 Material:Aluminum alloy & Nylon  
 Panel size:276.4\*138.2 mm  
 Mounting hole spacing:262.2\*121.8mm  
 Switch:rocker switch\* 6  
 DC power socket: 12V 20A/24V 10A  
 USB Output:30W PD3.0+QC3.0

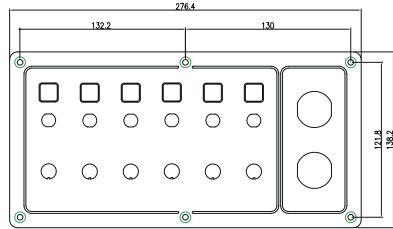


**YMSAP6G0103P1L-1DC1UAC**

**Product details**

Aluminum panel + 6-position fuse + 6-position toggle switch + socket + USB

Input Voltage:12-24V  
 Material:Aluminum alloy & Nylon  
 Panel size:276.4\*138.2 mm  
 Mounting hole spacing:262.2\*121.8mm  
 Switch:Toggle switch\* 6  
 DC power socket:12V 20A/24V 10A  
 USB Output:30W PD3.0+QC3.0

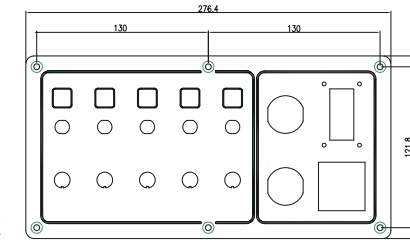


**YMSAP5G0103P1L-1UAC1DC1AC1AN**

**Product details**

Aluminum panel + five-position fuse + five-position toggle switch + socket + Anderson socket + USB charger + three-hole socket

Input Voltage:12-24V  
 Material:Aluminum alloy & Nylon  
 Panel size:276.4\*138.2 mm  
 Mounting hole spacing:262.2\*121.8mm  
 Switch:Toggle switch\* 5  
 DC power socket:12V 20A/24V 10A  
 USB Output:30W PD3.0+QC3.0  
 Anderson Connector: 12-24V DC 50A Max  
 Universal Socket:110V/220V AC 10A Max

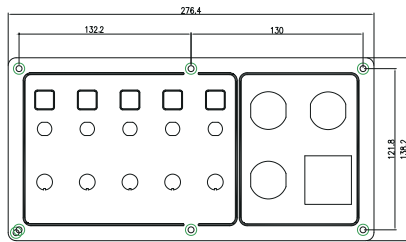


**YMSAP5G0103P1L-1UAC1DC1AM1AC**

**Product details**

Aluminum panel + 5-position fuse + 5-position toggle switch + socket + ammeter-voltmeter + USB charger + three-hole socket

Input Voltage:12-24V  
 Material:Aluminum alloy & Nylon  
 Panel size:276.4\*138.2 mm  
 Mounting hole spacing:262.2\*121.8mm  
 Switch:Toggle switch\* 5  
 DC power socket:12V 20A/24V 10A  
 USB output: 30W PD3.0+QC3.0  
 Meter display: 0-10A/6-30V DC  
 Universal Socket:110V/220V AC 10A Max



**YMSABS6G125**

**Product details**

6-position switch  
 Input: 12V DC  
 Maximum current of single switch: 16A  
 Light color: Red  
 Material: ABS&PC  
 Product size: 187\*50\*70mm  
 Protection grade: IP65

**Features:**

- Small size saves space



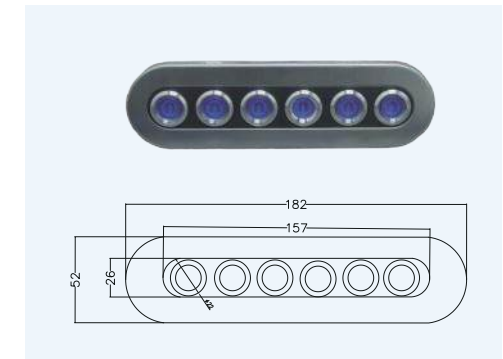
**YMSSS6G126**

**Product details**

6-position touch switch  
 Voltage:12V/24V 10A DC  
 Panel size:52.068\*182.0mm  
 Hole size:26.0\*157.0mm  
 Stainless steel push button switch \* 6  
 Fuse:15A\*3  
 LED: Blue  
 Protection Grade:IP65  
 Material:ABS&Stainless steel

**Features:**

- Touch-sensitive design
- Sensitive touch
- Easy to operate

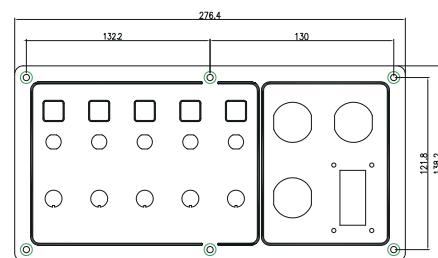


**YMSAP5G0103P1L-1UAC1DC1AM1AN**

**Product details**

Aluminum alloy panel + five-position fuse + five-position toggle switch + socket + current voltmeter + USB charger + Anderson socket

Input Voltage:12-24V  
 Material:Aluminum alloy & Nylon  
 Panel size:276.4\*138.2 mm  
 Mounting hole spacing:262.2\*121.8mm  
 Switch:Toggle switch\* 5  
 DC power socket:12V 20A/24V 10A  
 USB output:30W PD3.0+QC3.0  
 Meter Display: 0-10A/6-30V  
 Anderson Connector:12-24V DC 50A Max



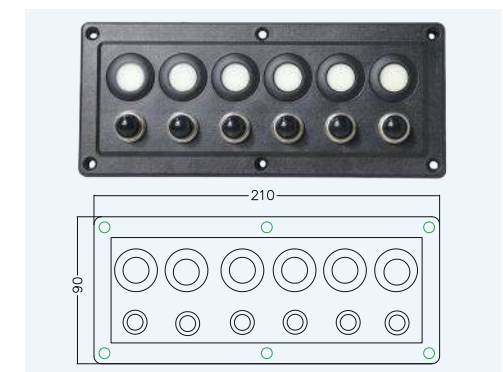
**YMSABS6G124**

**Product details**

6-position touch switch  
 Input: 12V-24V DC  
 Material: ABS&PC  
 Overload protection: 10A\*6  
 Light color: ON: blue, OFF: white  
 Product size: 270\*90\*102mm  
 Protection grade: IP65

**Features:**

- Touch-sensitive design
- Sensitive touch
- Easy to operate

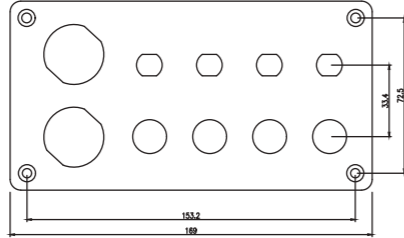


**YMSAP4G0714P1L-1DC1UAA**

**Product details**

4pcs metal switch+4pcs fuse+car socket+USB charger

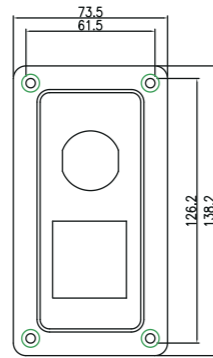
Material:Stainless steel  
DC Power Outlet: 12V20A/24V10A  
USB Output: 5V 2.1+2.1A DC  
Panel size:88.5\*169mm  
Mounting hole spacing:72.5\*153.2mm  
Switch specification:12/24V DC 10A



**YMSAP1DC1AC**

**Product details**

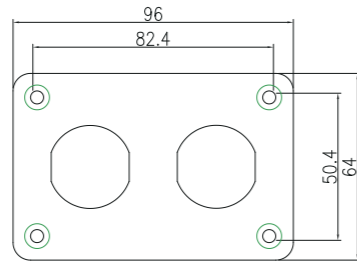
Two-hole aluminum panel + socket + three-hole socket  
Input Voltage:12-24V  
Material:Aluminum alloy & Nylon  
Panel size:73.5\*138.2mm  
Mounting hole spacing:61.5\*126.2mm  
AC Power Socket:250V 16A  
DC power socket:12V 20A/24V 10A



**YMSAP1DC1AM**

**Product details**

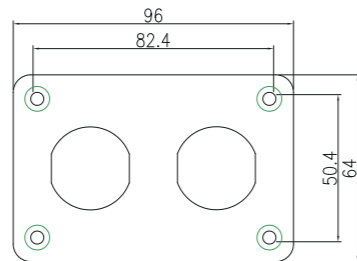
Two-hole Aluminum Panel + Socket + Ammeter and Voltmeter  
Input Voltage:12-24V  
Material:Aluminum alloy & Nylon  
Panel size:96\*64mm  
Mounting hole spacing:82.4\*50.4mm  
DC Power Socket:12V 20A/24V 10A  
Meter display:0-10A/6-30V DC



**YMSAP1DC1UAC**

**Product details**

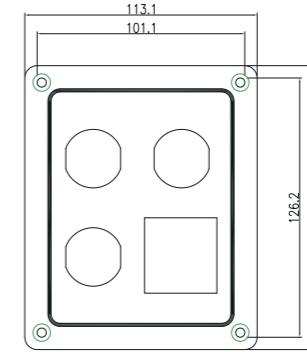
Two-hole aluminum panel + socket + USB car charger  
Input Voltage:12-24V  
Material:Aluminum alloy & Nylon  
Panel size:96\*64mm  
Mounting hole spacing:82.4\*50.4mm  
DC power socket:12V 20A/24V 10A  
USB Output:30W PD3.0+QC3.0



**YMSAP1DC1UAC-1AM1AC**

**Product details**

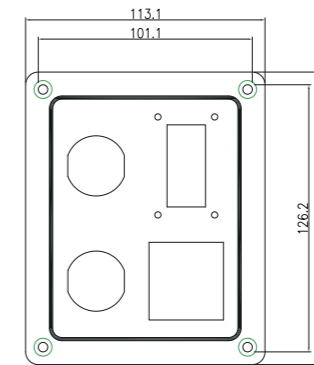
Input Voltage:12-24V  
Size of Panel:138.2\*113mm  
Mounting hole spacing:126.2\*101.1mm  
DC Power socket:12V 20A/24V 10A  
USB output:30W PD3.0+QC3.0  
Meters Display:0-10A/6-30V  
Universal Socket:110V/220V AC 10A Max  
Material: Aluminium Alloy+ Nylon+PC



**YMSAP1DC1UAC-1AC1AN**

**Product details**

Input Voltage:12-24V  
Size of Panel:138.2\*113mm  
Mounting hole spacing:126.2\*101.1mm  
DC Power socket:12V 20A/24V 10A  
USB output:30W PD3.0+QC3.0  
Universal Socket:110V/220V AC 10A Max  
Anderson connector:12-24V DC 50A Max  
Material: Aluminium Alloy+ Nylon+PC  
Suitable for caravan, hotels, marine, buses, RV yachts, trucks, etc



YMSAP3G0075P2L

**Product details**

Aluminum Panel 3-Position Rocker Switch

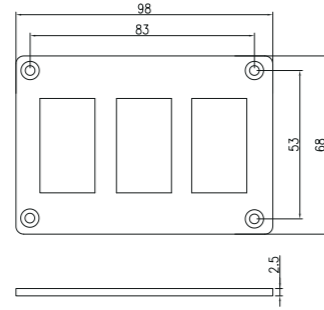
Ratings:

12V 20A DC

24V 10A DC

Material: Aluminum & Nylon

Size: 98\*68mm



YMSAP4G0075P2L-1UAC

**Product details**

Aluminum alloy panel + 4-position rocker switch + USB fast charger

Ratings:

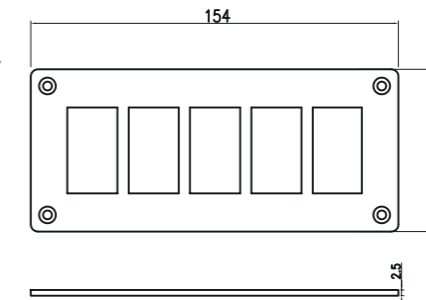
12V 20A DC

24V 10A DC

USB: PD45W QC18W

Material: Aluminum alloy & Nylon

Size: 154\*68mm



YMSAP4G0075P2L

**Product details**

Aluminum Panel 4-position Rocker Switch

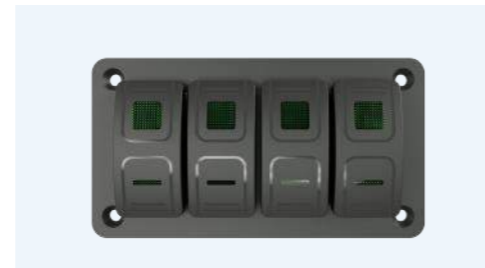
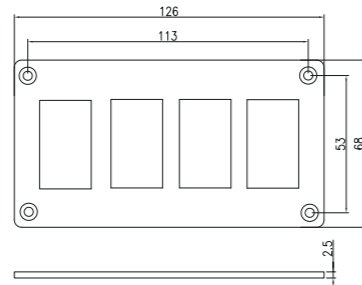
Ratings:

12V 20A DC

24V 10A DC

Material: Aluminum & Nylon

Size: 128\*68mm



YMSAP5G0075P2L-1UAC

**Product details**

Aluminum alloy panel + 5-position rocker switch + USB fast charger

Ratings:

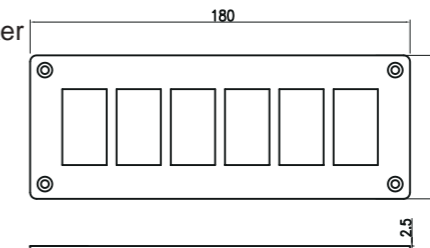
12V 20A DC

24V 10A DC

USB: PD45W QC18W

Material: Aluminum alloy & Nylon

Size: 180\*68mm



YMSAP5G0075P2L

**Product details**

Aluminum Panel + 5-position Rocker Switch

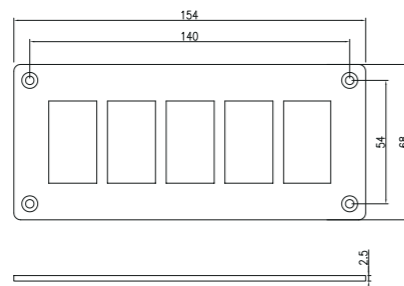
Ratings:

12V 20A DC

24V 10A DC

Material: Aluminum & Nylon

Size: 158\*68mm



YMSAP7G0075P2L-1UAC

**Product details**

Aluminum alloy panel + 4-position rocker switch + USB fast charger

Ratings:

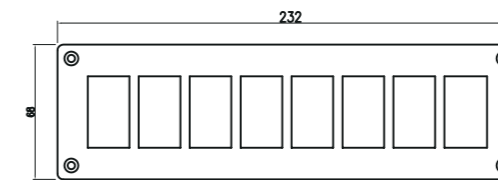
12V 20A DC

24V 10A DC

USB: PD45W QC18W

Material: Aluminum alloy & Nylon

Size: 232\*68mm



YMSAP6G0075P2L

**Product details**

Aluminum Panel + 6-position Rocker Switch

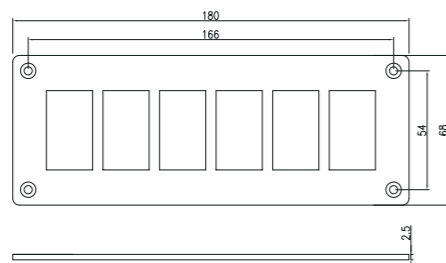
Ratings:

12V 20A DC

24V 10A DC

Material: Aluminum & Nylon

Size: 180\*68mm



**YMS1161AC6WIVG**

**Product details**

PC gray large plate + two or three-hole socket + three sets of 2-position touch switch + voice call  
 Size: 260\*85\*40mm  
 Material: PC

**Features:**

- Uniform size
- Modular design
- Diversified control mode
- Multi-function integration
- High protection grade



**YMS1162W1IC1AC**

**Product details**

Black aluminum brushed panel + 2-position touch switch + plug card to get electricity + two or three hole socket  
 Size: 260\*85\*40mm  
 Material: aluminum alloy

**Features:**

- Uniform size
- Modular design
- Diversified control mode
- Multi-function integration
- High protection grade



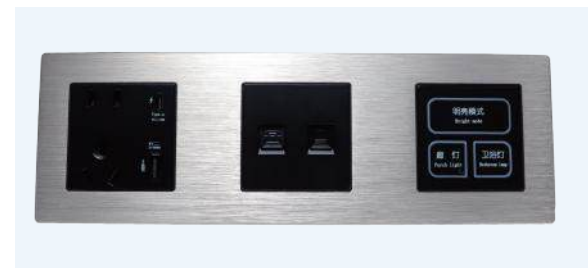
**YMS1161ACNE3WCB**

**Product details**

Two or three holes usb wall plug + phone network + 3 position touch switch  
 Size: 260\*85\*40mm  
 Material: aluminum alloy

**Features:**

- Uniform size
- Modular design
- Diversified control mode
- Multi-function integration
- High protection grade



**YMS1161IC8W1D**

**Product details**

Black aluminum brushed panel + plug card to get electricity + four groups of 2-position touch switch + voice system  
 Size: 345\*90\*40mm  
 Material: aluminum alloy

**Features:**

- Uniform size
- Modular design
- Diversified control mode
- Multi-function integration
- High protection grade



**YMF001**

6-Way Single Pole Fuse Box

**Product details**

Input: DC 100A 32V MAX 4-6AWG  
 Output: 30A each way MAX 12-16AWG  
 Fuse breaks when LED is on  
 Size: 85\*70\*35.8mm  
 Body: Nylon Cover: PC

**Features:**

- Fuse light
- Fast wiring
- Surface mounting



**YMF002**

6-Way Double Pole Fuse Box

**Product details**

Input: DC 100A 32V MAX 4-6AWG  
 Output: 30A each way MAX 12-16AWG  
 Fuse breaks when LED is on  
 Size: 85\*88\*37 mm  
 Body: Nylon Cover: PC

**Features:**

- Fuse light
- Fast wiring
- Surface mounting



**YMF003**

8-Way Single Pole Fuse Box

**Product details**

Input: DC 100A 32V MAX 4-6AWG  
 Output: 30A each way MAX 12-16AWG  
 Fuse breaks when LED is on  
 Size: 85\*85\*35 mm  
 Body: Nylon Cover: PC

**Features:**

- Fuse light
- Fast wiring
- Surface mounting



**YMF004**

10-Way Single Pole Fuse Box

**Product details**

Input: DC 100A 32V MAX 4-6AWG  
 Output: 30A each way MAX 12-16AWG  
 Fuse breaks when LED is on  
 Size: 100\*85\*35mm  
 Body: Nylon Cover: PC

**Features:**

- Fuse light
- Fast wiring
- Surface mounting



**YMF005**

12-Way Single Pole Fuse Box

**Product details**

Input: DC 100A 32V MAX 4-6AWG  
 Output: 30A each way MAX 12-16AWG  
 Fuse breaks when LED is on  
 Dimension: 115\*85\*35mm  
 Body: Nylon Cover: PC

**Features:**

- Fuse light
- Fast wiring
- Surface mounting



**YMF006**

12-Way Double Pole Fuse Box

**Product details**

Input: DC 100A 32V MAX 4-6AWG  
 Output: 30A each way MAX 12-16AWG  
 Fuse breaks when LED is on  
 Size: 139\*85\*37mm  
 Body: Nylon Cover: PC

**Features:**

- Fuse light
- Fast wiring
- Surface mounting



**YMF007**

4-Way Relay Box

**Product details**

Voltage: 12V  
 Current: 40A  
 Voltage characteristics: low voltage  
 Fusing speed: F/fast  
 Size: 125\*65\*81mm  
 Wire length: 220mm  
 Material: nylon

**Features:**

- Multi-channel control
- High power capacity



**YMF008**

6-Way Relay Box

**Product details**

Voltage: 12V  
 Current: 40A  
 Voltage characteristics: low voltage  
 Fusing speed: F/fast  
 Size: 186\*70mm  
 Length of wire at one end: 240mm  
 The other end of the wire length: 210mm  
 Material: nylon

**Features:**

- Multi-channel control
- High power capacity



**YMF011A**

Battery packs

**Product details**

50A battery switch\*1, Anderson connector\*1, ammeter/voltmeter\*1, car socket\*2, USB charger\*2  
 Input Voltage:12-24V  
 Material:PP  
 Color: black  
 Fixing method: tie away solid away + base screws double fixed battery  
 Size:390\*320\*605mm  
 Battery size: 255\*178\*210mm



**YMF011B**

Battery packs

**Product details**

50A battery switch\*1, Anderson connector\*1, ammeter/voltmeter\*1, car socket\*2, USB charger\*2  
 Input Voltage:12-24V  
 Material:PP  
 Color: black  
 Fixing method: tie away solid away + base screws double fixed battery  
 Size:390\*320\*605mm  
 Battery size: 255\*178\*210mm



**YMF009**

6-Way Relay Box

**Product details**

Voltage: 12V  
 Current: 40A  
 Voltage characteristics: low voltage  
 Fusing speed: F/fast  
 Size: 186\*70mm  
 Wire length: 220mm  
 Material: nylon

**Features:**

- Multi-channel control
- High power capacity



**YMF010**

6-Way Double Pole Fuse Box

**Product details**

Input:DC 100A 32V MAX  
 4-6AWG  
 Output: 30A each way  
 MAX12-16AWG  
 Fuse breaks when LED is on  
 Size:112\*85\*38mm  
 Body:PBT  
 Cover:PC

**Features:**

- Fuse light
- Fast wiring
- Surface mounting



**YMF023A**

Mobile power supply

**Product details**

50A battery switch\*1, USB car charger\*2, car socket\*2, Anderson connector\*2, voltage display meter\*1  
 Input: 12-24V  
 Material: iron shell  
 Size: 270\*140\*195mm  
**Features:**  
 • Multi-channel control  
 • High power capacity



**YMF023B**

Mobile power supply

**Product details**

50A battery switch\*1, USB car charger\*2, car socket\*2, Anderson connector\*2, voltage display meter\*1  
 Input: 12-24V  
 Material: iron shell  
 Size: 270\*140\*195mm  
**Features:**  
 • Fuse light  
 • Fast wiring  
 • Surface mounting



**YMF022A**

**Product details**

Input:12-48V  
 Overcurrent:  
 30A/40A/50A/60A/70A/80A/100A/120A /150A/200A/250A/300A(Optional)  
 Material:Alloy  
 Size:75\*49\*38mm

**Features:**

- Overload protection, short circuit protection
- Fast response, resettable design



**YMF022B**

**Product details**


Input:12-48V  
 Over current:  
 20A/30A/40A/50A/60A/80A/100A/120A/150A/200A(Optional)  
 Material:Alloy  
 Size:70\*48.6\*47mm

**Features:**

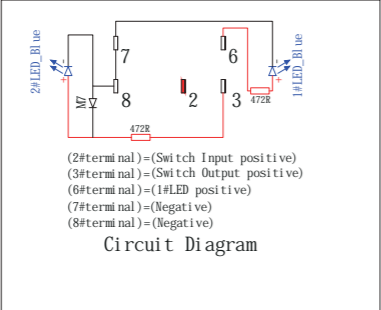
- Overload protection, short circuit protection
- Fast response, resettable design



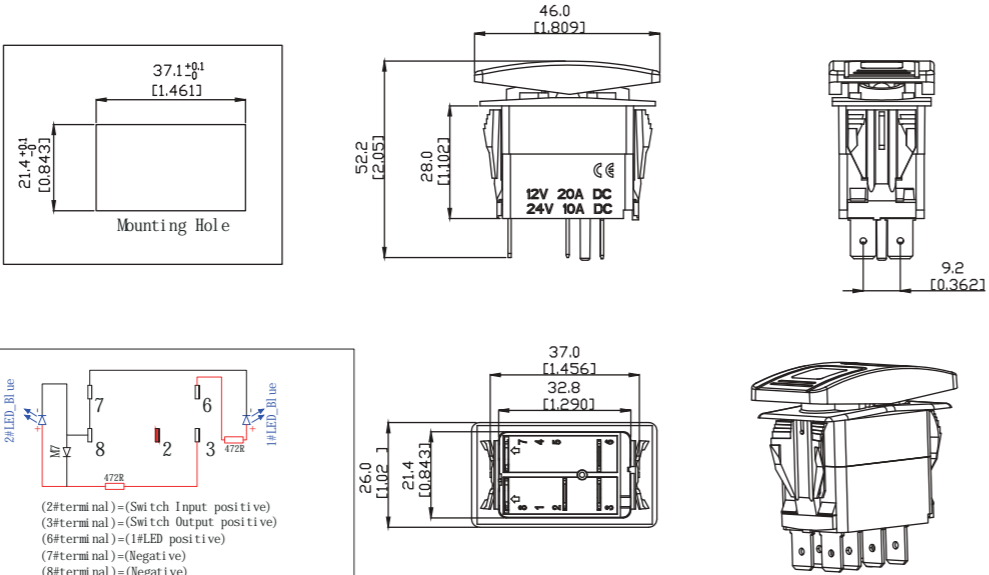
**YMS007**











**Rating:**  
12V 20A DC  
24V 10A DC



(2#terminal)=(Switch Input positive)  
(3#terminal)=(Switch Output positive)  
(6#terminal)=(1#LED positive)  
(7#terminal)=(Negative)  
(8#terminal)=(Negative)  
Circuit Diagram



46.0 [1.8091]  
37.1±0.1 [1.461]  
21.4±0.1 [0.843]  
Mounting Hole  
52.2 [2.05]  
28.0 [1.102]  
12V 20A DC  
24V 10A DC  
9.2 [0.362]  
37.0 [1.456]  
32.8 [1.290]  
26.0 [1.02]  
21.4 [0.843]

PN-BS1 Mounting Panel End	PN-BS2 Mounting Panel Middle	PN-BS3 Single Mounting Panel	PN-BS6 Hole Plug	PN-BS7 Actuator Removal Tool
				
PN-BS8 8P Connectors	PN-BS4 Boat Switch Labels	PN-BS5 Jeep Switch Labels		
				

YMS007-□-□-□-□-□-□-□

FUNCTION	ROCKER	TERMINAL
A 2P SPST	1	01 .250"SQ
B 6P DPDT	2	LENS COLOR B
C 3P SPDT	3	R
D 3P DPDT	4	G
E 6P DPDT	5	BL
F 4P DPST	6	OR
G 3P SPDT		W
H 6P DPDT		SOCKER
I 3P SPDT		1→Blade
J 6P DPDT		2→Rivet
K 6P DPDT		3→Blade/Bareiers
L 2P SPST		
M 6P DPDT		
N 4P DPST		
O 2P SPST		
P 4P DPST		

\*L\*J/Laser Engravable

LIGHT CIRCUIT
D→Dependent
I→Independent
N→NONE

LED
N→NONE
1→1PCS
2→2PCS

No Lens										
Electrical	Type	Pin	Pin1	Pin2	Pin3	Pin4	Pin5	Pin6	Pin7	Pin8
ON-OFF	SPST	2		Power In [1]	Power Out [1]					
(ON)-OFF	SPST	2		Power In [1]	Power Out [1]					
ON-ON	SPDT	3	Power Out [1]	Power In [1]	Power Out [2]					
(ON)-ON	SPDT	3	Power Out [1]	Power In [1]	Power Out [2]					
ON-OFF-ON	SPDT	3	Power Out [1]	Power In [1]	Power Out [2]					
(ON)-OFF-ON	SPDT	3	Power Out [1]	Power In [1]	Power Out [2]					
(ON)-OFF-(ON)	SPDT	3	Power Out [1]	Power In [1]	Power Out [2]					
ON-OFF	DPST	4		Power In [1]	Power Out [1]		Power In [2]	Power Out [2]		
(ON)-OFF	DPST	4		Power In [1]	Power Out [1]		Power In [2]	Power Out [2]		
ON-ON	DPDT	6	Power Out [1]	Power In [1]	Power Out [2]	Power Out [3]	Power In [2]	Power Out [4]		
(ON)-ON	DPDT	6	Power Out [1]	Power In [1]	Power Out [2]	Power Out [3]	Power In [2]	Power Out [4]		
ON-OFF-ON	DPDT	6	Power Out [1]	Power In [1]	Power Out [2]	Power Out [3]	Power In [2]	Power Out [4]		
(ON)-OFF-ON	DPDT	6	Power Out [1]	Power In [1]	Power Out [2]	Power Out [3]	Power In [2]	Power Out [4]		
ON-OFF-(ON)	DPDT	6	Power Out [1]	Power In [1]	Power Out [2]	Power Out [3]	Power In [2]	Power Out [4]		
(ON)-OFF-(ON)	DPDT	6	Power Out [1]	Power In [1]	Power Out [2]	Power Out [3]	Power In [2]	Power Out [4]		
ON-ON-ON	DPTT	6	Power Out [1]	Power In [1]	Power Out [2]	Power Out [3]	Power In [2]	Power Out [4]		
ON-ON-OFF	DPDT	4		Power In [1]	Power Out [1]		Power In [2]	Power Out [2]		
(ON)-ON-OFF	DPDT	4		Power In [1]	Power Out [1]		Power In [2]	Power Out [2]		
(ON)-ON-OFF	DPDT	4		Power In [1]	Power Out [1]		Power In [2]	Power Out [2]		
(ON)-ON-ON	DPTT	6	Power Out [1]	Power In [1]	Power Out [2]	Power Out [3]	Power In [2]	Power Out [4]		
ON-OFF	SPST	3		Power In [1]	Power Out [1]				Earth	
(ON)-OFF	SPST	3		Power In [1]	Power Out [1]				Earth	
ON-OFF	DPST	5		Power In [1]	Power Out [1]		Power In [2]	Power Out [2]	Earth	
(ON)-OFF	DPST	5		Power In [1]	Power Out [1]		Power In [2]	Power Out [2]	Earth	
ON-ON	SPDT	4	Power Out [1]	Power In [1]	Power Out [2]				Earth	
(ON)-ON	SPDT	4	Power Out [1]	Power In [1]	Power Out [2]				Earth	
ON-OFF-ON	SPDT	4	Power Out [1]	Power In [1]	Power Out [2]				Earth	
(ON)-OFF-ON	SPDT	4	Power Out [1]	Power In [1]	Power Out [2]				Earth	
(ON)-OFF-(ON)	SPDT	4	Power Out [1]	Power In [1]	Power Out [2]				Earth	
ON-ON	DPDT	7	Power Out [1]	Power In [1]	Power Out [2]	Power Out [3]	Power In [2]	Power Out [4]	Earth	
(ON)-ON	DPDT	7	Power Out [1]	Power In [1]	Power Out [2]	Power Out [3]	Power In [2]	Power Out [4]	Earth	
ON-OFF-ON	DPDT	7	Power Out [1]	Power In [1]	Power Out [2]	Power Out [3]	Power In [2]	Power Out [4]	Earth	
(ON)-OFF-ON	DPDT	7	Power Out [1]	Power In [1]	Power Out [2]	Power Out [3]	Power In [2]	Power Out [4]	Earth	
ON-OFF-(ON)	DPDT	7	Power Out [1]	Power In [1]	Power Out [2]	Power Out [3]	Power In [2]	Power Out [4]	Earth	
(ON)-OFF-(ON)	DPDT	7	Power Out [1]	Power In [1]	Power Out [2]	Power Out [3]	Power In [2]	Power Out [4]	Earth	
ON-ON-ON	DPTT	8	Power Out [1]	Power In [1]	Power Out [2]	Power Out [3]	Power In [2]	Power Out [4]	Earth	Power In [3]
ON-ON-OFF	DPDT	6		Power In [1]	Power Out [1]		Power In [2]	Power Out [2]	Earth	Power In [3]
(ON)-ON-OFF	DPDT	6		Power In [1]	Power Out [1]		Power In [2]	Power Out [2]	Earth	Power In [3]
(ON)-ON-ON	DPTT	8	Power Out [1]	Power In [1]	Power Out [2]	Power Out [3]	Power In [2]	Power Out [4]	Earth	Power In [3]

**YM1398**

**Product details**

12V 10A DC  
 24V 5A DC  
 Material: Nylon  
 Function: ON-OFF  
 LED Quantity: 1pc  
 LED color: red/blue/green available (other colors need to be customized)

**Features:**

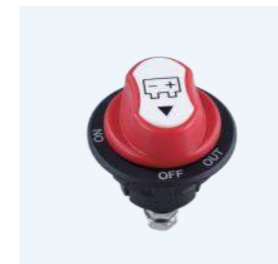
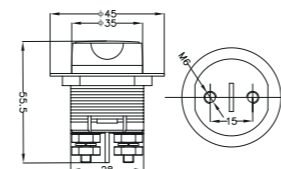
- Embedded assembly
- Fireproof
- More than 100,000 cycles life



**YMS090-100A02M6**

**Product details**

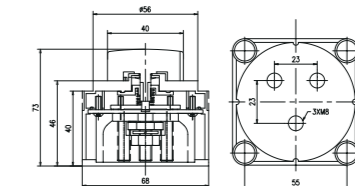
Rating: 12V-100A 24V-50A  
 Function: ON-OFF  
 Size: 45\*55mm  
 Screw: 6mm



**YMS087-200A03M8**

**Product details**

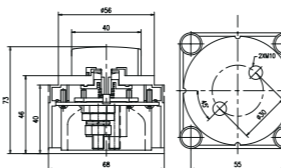
Rated value: 12V-200A 24V-120A  
 Instantaneous current: 800A  
 Function: 1-1+2-2-OFF  
 Size: 68\*68\*74mm.  
 Screw: 8mm



**YMS086-275A02M10**

**Product details**

Rating: 12V-275A 24V-120A  
 Instantaneous current: 1000A  
 Function: ON-OFF  
 Size: 68\*51\*41mm  
 Screw: 10mm



**YMS104-300A02M10**

**Product details**

Rated value: 60V 300A  
 Function: ON-OFF  
 Size: 68\*68\*92mm  
 Screw: 10mm



**YMS105-400A02M10**

**Product details**

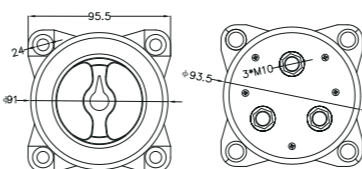
Rated value: 60V-400A  
 Function: ON-OFF  
 Size: 65\*65\*125mm  
 Screw: 10mm



**YMS107-350A03M10R**

**Product details**

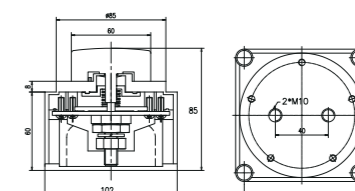
Rating: 12V-350A 24V-150A  
 48V-85A  
 Instantaneous current: 1500A  
 Function: 1-2-1+2-OFF  
 Size: 96.5\*96.5\*80 mm  
 Screw: 10mm



**YMS085-600A02M10**

**Product details**

Rating: 12V-600A 24V-300A  
 Instantaneous current: 2500A  
 Function: NO-OFF  
 Size: 102\*102\*85mm  
 Screw: 10mm





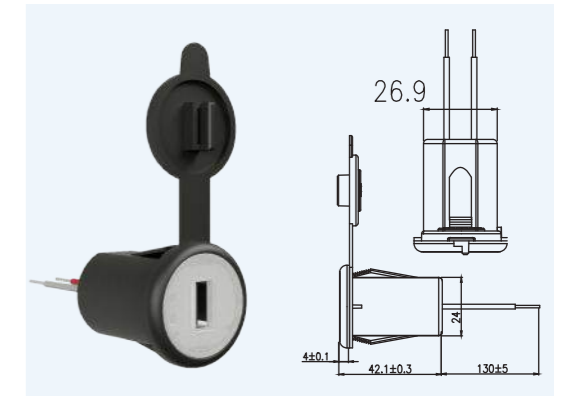
**YM1064**

**Product details**

Input :9-36V DC  
 Output :5V DC 2.1A Max  
 Material :Nylon  
 LED: blue (other colors need to be customized)  
 Cable length: 130mm

**Features:**

- Flame Retardant
- Simple installation
- Overload, overheat, short circuit, reverse connection protection



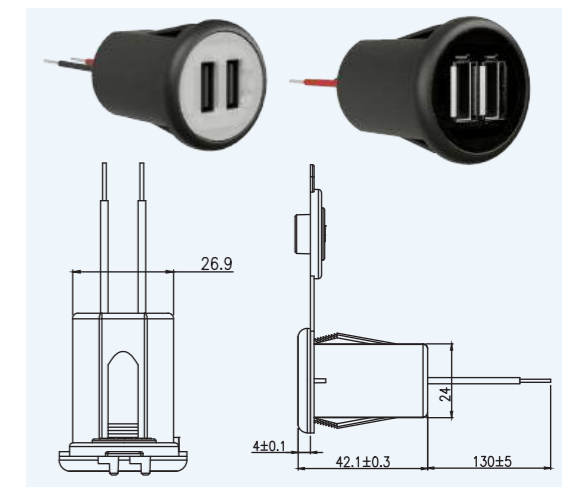
**YM1059-4.2A-BWB/YM1059-4.2A-BB**

**Product details**

Input:9-36V DC  
 Output:5V DC 4.2A  
 Material:Nylon  
 LED: blue (other colors need to be customized)  
 Wire length: 130mm

**Features:**

- Flame Retardant
- Simple installation
- Overload, overheat, short circuit, reverse connection protection



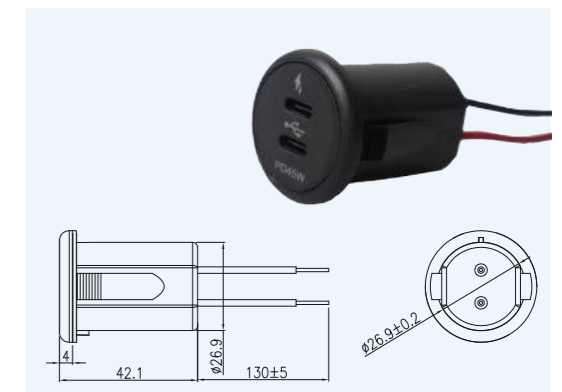
**YM1059CC**

**Product details**

Input:9-36V DC  
 Output:Port C: PD45W  
 When used simultaneously:5V 3A  
 Material:Nylon  
 LED: blue (other colors need to be customized)  
 Wire length: 130mm

**Features:**

- Flame Retardant
- Easy installation
- Overload, overheat, short circuit, reverse connection protection



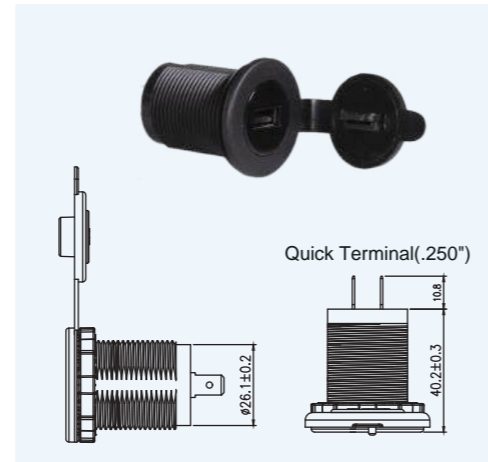
YM1108

**Product details**

Input: 9-36V DC  
 Output: 5V 2.1A DC  
 Material: Nylon  
 LED: blue (other colors need to be customized)

**Features:**

- Flame Retardant
- Simple installation
- Overload, overheat, short circuit, reverse connection protection



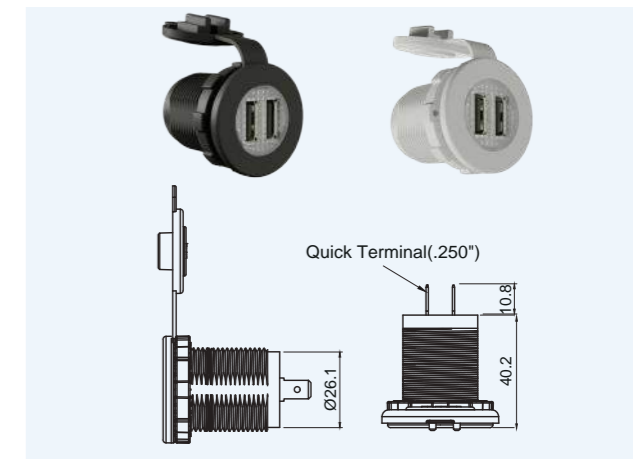
YM1106/YM1106-2.1A-WWB

**Product details**

Input: 9-36V DC  
 Output: 5V 2.1A DC  
 Material: Nylon  
 LED: blue (other colors need to be customized)

**Features:**

- Flame Retardant
- Simple installation
- Overload, overheat, short circuit, reverse connection protection



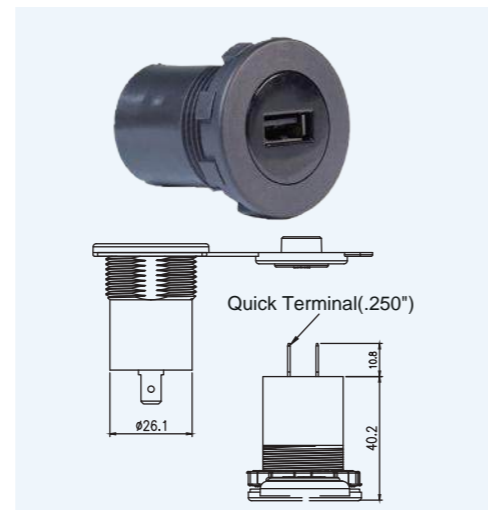
YM1104

**Product details**

Input: 9-36V DC  
 Output: 5V 2.1A DC  
 Material: Nylon  
 LED: blue (other colors need to be customized)

**Features:**

- Flame Retardant
- Simple installation
- Overload, overheat, short circuit, reverse connection protection



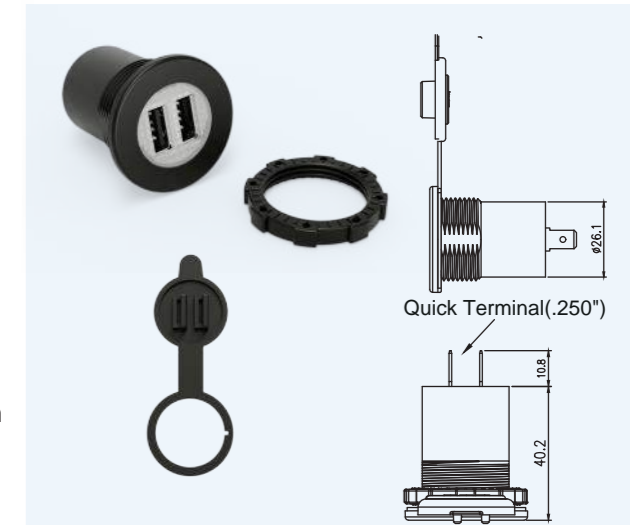
YM1094(Half thread) 2.1A

**Product details**

Input: 9-36V DC  
 Output: 5V 2.1A  
 Material: Nylon  
 LED: blue (other colors need to be customized)

**Features:**

- Flame Retardant
- Simple installation
- Overload, overheat, short circuit, reverse connection protection



YM1248/YM1248-4.2A-WWB/YM1248S

**Product details**

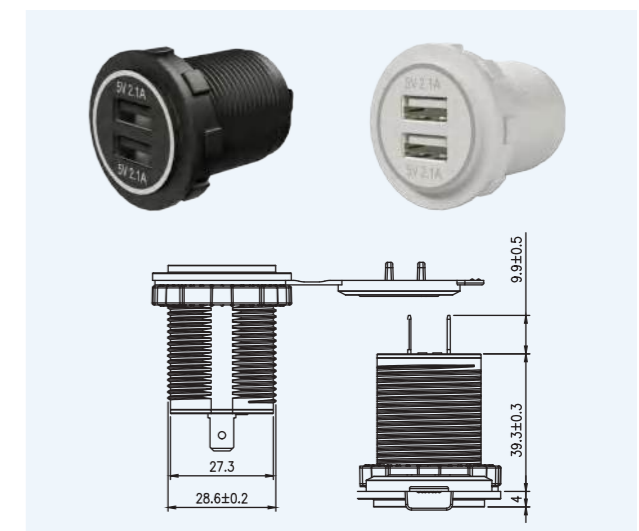
YM1248/YM1248-4.2A-WWB  
 Input: 9-36V DC  
 Output: 5V 2.1A+2.1A DC

YM1248S

Input: 12-24V DC  
 Output: QC18W  
 Material: PC  
 LED: blue (other colors need to be customized)

**Features:**

- Flame Retardant
- Simple installation
- Overload, overheat, short circuit, reverse connection protection



YM1218/YM1218-4.2A-WWB

**Product details**

Input: 9-36V DC  
 Output: USB-A: 5V 2.1A  
 TYPE C: 5V 3A  
 Simultaneous use:4.2A Max  
 Material: PC  
 LED: blue (other colors need to be customized)

**Features:**

- Flame Retardant
- Simple installation
- Overload, overheat, short circuit, reverse connection protection



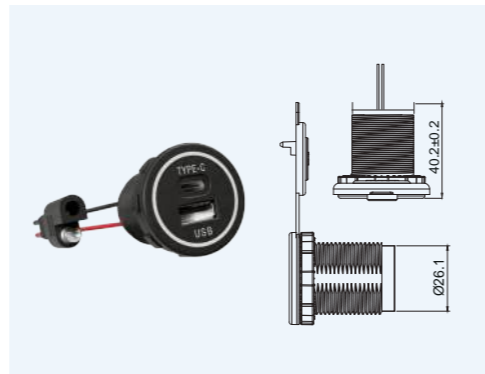
YM1300

**Product details**

USB charger + SAE connector  
 Input: 9-36V DC  
 Output: USB-A: 5V 2.1A  
 Type-C: 5V 3A  
 Simultaneous use:4.2A Max  
 Material: PC  
 LED: blue (other colors need to be customized)

**Features:**

- Flame Retardant
- Simple installation
- Overload, overheat, short circuit, reverse connection protection



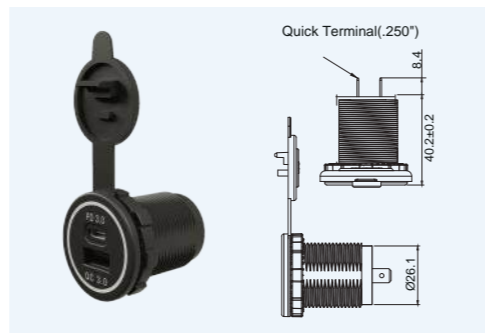
YM1298

**Product details**

Input: 9-36V DC  
 Output: PD30W QC18W  
 Simultaneous use:5V 4.2A Max  
 Material: PC  
 LED: blue (other colors need to be customized)

**Features:**

- Flame Retardant
- Simple installation
- Overload, overheat, short circuit, reverse connection protection



YM1403

**Product details**

Input: 9-36V DC  
 Output: QC18W PD45W PD65W  
 Material: Nylon  
 LED: blue (other colors need to be customized)  
 Wire length: 100mm

**Features:**

- Flame Retardant
- Easy installation
- Overload, overheat, short circuit, reverse connection protection



YM1404

**Product details**

Input: 9-36V DC  
 Output: PD30W QC18W  
 Simultaneous use: 5V 4.2A Max  
 LED: green (other colors need to be customized)  
 Wire length: 100mm

**Features:**

- Flame Retardant
- Easy installation
- Overload, overheat, short circuit, reverse connection protection



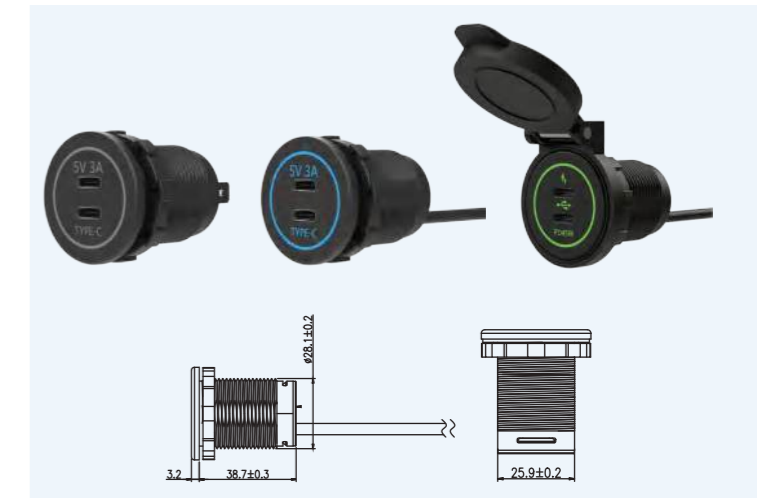
YM1314/YM1314PD

**Product details**

Input: 9-36V DC  
 Output: 5V DC 4.2A Max / PD45W  
 Material: Nylon  
 LED: green (other colors need to be customized)

**Features:**

- Flame Retardant
- Easy installation
- Overload, overheat, short circuit, reverse connection protection



YM1442/YM1442PD/YM1442PD80

**Product details**

Input: 12-24V DC  
 YM1442 Output: 5V 3A  
 YM1442PD Output: PD 65W  
 YM1442PD80 Output: PD 80W  
 Material: PC  
 YM1442PD With boost function

**Features:**

- Flame Retardant
- Easy installation
- Overload, overheat, short circuit, reverse connection protection



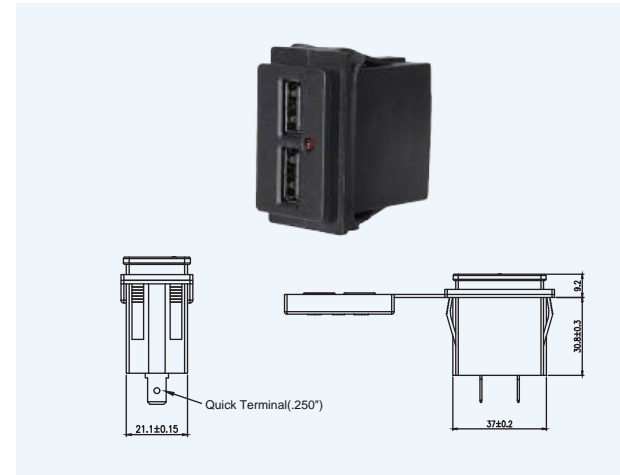
YM1124

**Product details**

Input: 9-36V DCV  
 Output: 5V 2.1+2.1A  
 Material: nylon  
 LED: red (other colors need to be customized)

**Features:**

- Flame Retardant
- Easy installation
- Overload, overheat, short circuit, reverse connection protection



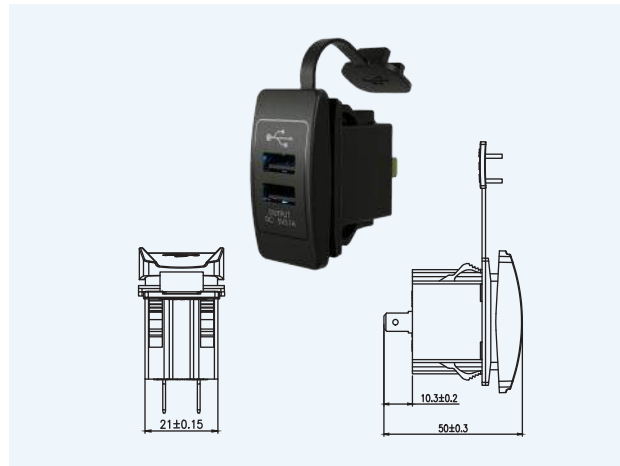
YM1125

**Product details**

Input: 12-24V DC  
 Output: 5V 3.1A DC  
 Material: PC+ABS  
 LED: blue (other colors need to be customized)

**Features:**

- Flame Retardant
- Easy installation
- Overload, overheat, short circuit, reverse connection protection



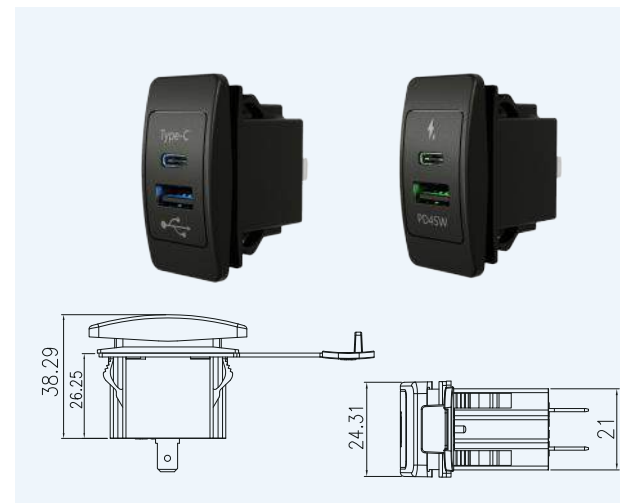
YM1125AC /YM1125PD

**Product details**

Input: 9-36V DC  
 YM1125AC Output : 5V 3.1A  
 YM1125PD Output : PD45W QC18W  
 When used simultaneously: 5V 3A  
 Material: PC+ABS  
 LED: blue (other colors need to be customized)

**Features:**

- Flame Retardant
- Easy installation
- Overload, overheat, short circuit, reverse connection protection



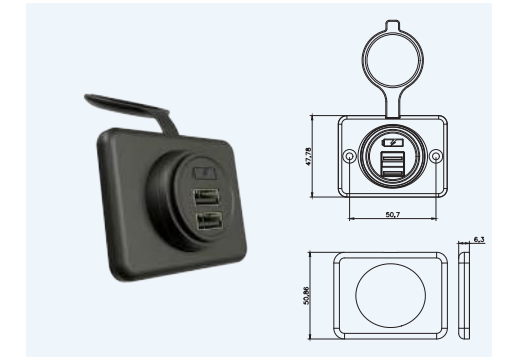
YM1236

**Product details**

Input: 9-36V DC  
 Output: 5V 4.2A DC  
 Material: Nylon  
 LED: blue (other colors need to be customized)

**Features:**

- Flame Retardant
- Easy installation
- Overload, overheat, short circuit, reverse connection protection



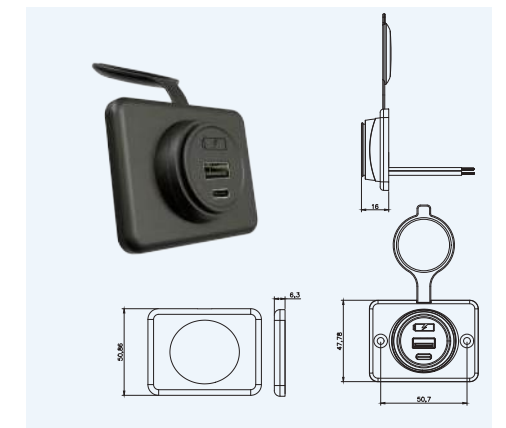
YM1288

**Product details**

Input: 9-36V DC  
 Output: TYPE-C: 5V 3A  
 USB-A: 5V 2.1A  
 Simultaneous use: 4.2A Max  
 Material: Nylon  
 LED: blue (other colors need to be customized)

**Features:**

- Flame Retardant
- Easy installation
- Overload, overheat, short circuit, reverse connection protection



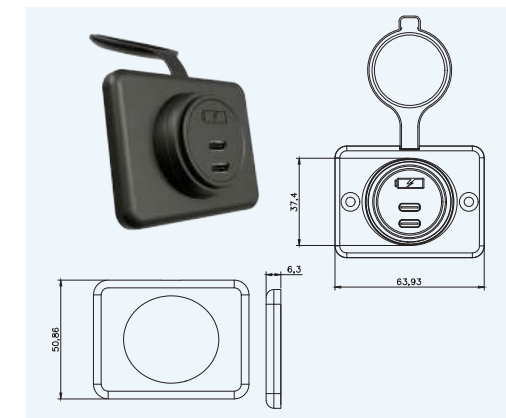
YM1288CC

**Product details**

Input: 9-36V DC  
 Output: 5V 4.2A DC  
 Material: Nylon

**Features:**

- Flame Retardant
- Easy installation
- Overload, overheat, short circuit, reverse connection protection



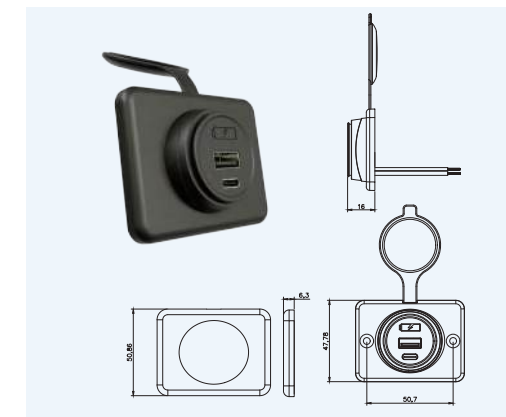
YM1288PD

**Product details**

Input: 9-36V DC  
 Output: QC18W PD45W  
 Material: Nylon  
 Simultaneous use: 4.2A Max

**Features:**

- Flame Retardant
- Easy installation
- Overload, overheat, short circuit, reverse connection protection



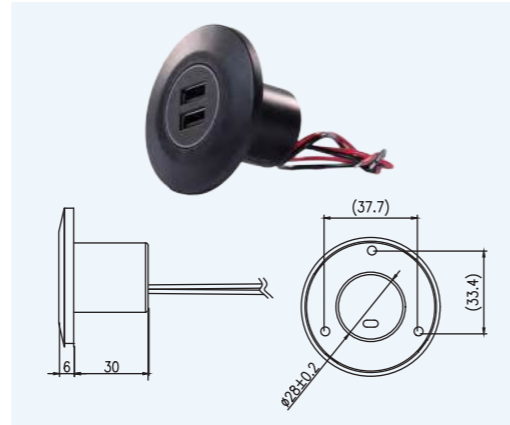
**YM1311**

**Product details**

Input: 9-36V DC  
 Output: 5V 3.1A DC  
 Material: PC  
 LED: blue (other colors need to be customized)

**Features:**

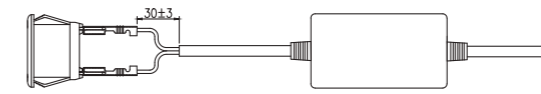
- Hidden screws
- Overload, overheat, short circuit, reverse connection protection



**YM1217**

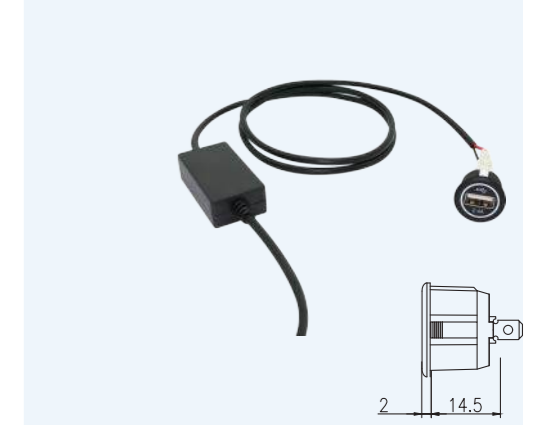
**Product details**

Input: 12-24V  
 Output: 5V 2.4A  
 Material: ABS  
 Cable length: 1500mm



**Features:**

- Supports multiple device use
- Convenient and easy to use



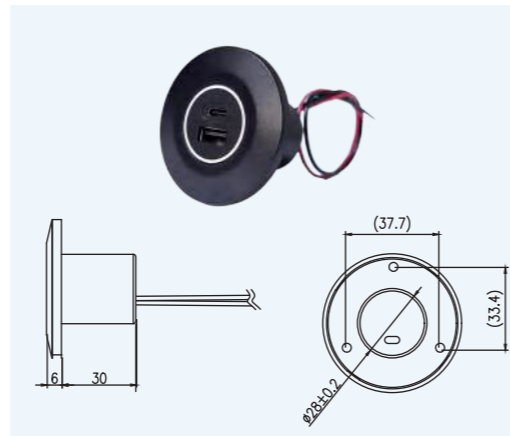
**YM1311AC**

**Product details**

Input: 10-30V DC  
 Output: 5V 4.2A DC  
 Material: PC  
 LED: blue (other colors need to be customized)

**Features:**

- Hidden screws
- Overload, overheat, short circuit, reverse connection protection



**YM1118**

**Product details**

Input: 9-36V DC  
 Output: 5V 2.1A  
 Material: Nylon  
 Wire Length: 1500MM  
 Fuse: 2A

**Features:**

- Waterproof
- Easy to fix
- For use on motorcycles



**YM1115**

**Product details**

Motorcycle Charger  
 Input: 12V/24V DC  
 Output: 5V 2.1A DC  
 Material: PVC  
 Cable length: 500mm (customizable)

**Features:**

- Customizable cord lengths
- Multi-device use



**YM1156**

**Product details**

One to 2 outputs  
 Input: 5V DC  
 Output: 5V DC  
 Material: ABS  
 Cable length: 1000mm (customizable)

**Features:**

- Customizable wire length
- Hidden screws



**YM1242**

**Product details**

Input: 12-24V  
 Output: USB 5V DC 3A Max  
 Material: ABS  
 Cable length: 500±20mm

**Features:**

- Supports multiple device use
- Convenient and easy to use



**YM1157**

**Product details**

Input: 5V DC  
 Output: 5W DC  
 Material: ABS  
 Size: 77\*60\*25mm

**Features:**

- Easy to use
- Wireless charging
- Waterproof
- Flame retardant



**YM1142**

**Product details**

One to three car socket  
 Input: 12V-24V  
 USB output: 2.1A  
 Car socket output: 8A Max  
 Material: ABS  
 Wire length: 1000mm

**Features:**

- Supports multiple device use
- Convenient and easy to use



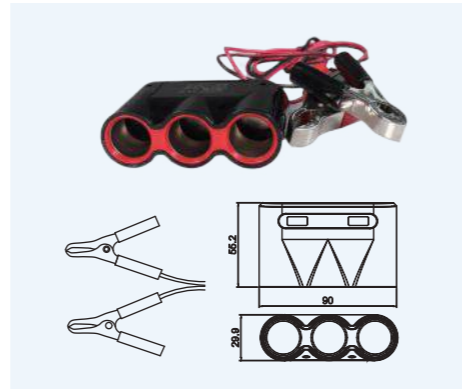
YM1138

**Product details**

One to three car socket  
 Input: 12V-24V  
 USB output: 2.1A  
 Car socket output: 10A Max  
 Material: ABS  
 Wire length: 1000mm

**Features:**

- Supports multiple device use
- Convenient and easy to use



YM1141

**Product details**

One to three car charger switch control  
 car socket  
 Input: 12V-24V  
 USB output: 2.1A  
 Car socket output: 8A Max  
 Material: ABS

**Features:**

- Supports multiple device use
- Convenient and easy to use



YM1014

**Product details**

One to two car socket  
 Input: 12V-24V  
 Car socket output: 8A Max  
 Material: ABS  
 Wire length: 1000mm

**Features:**

- Supports multiple device use
- Convenient and easy to use



YM1150

**Product details**

One to three car socket  
 Input: 12V-24V  
 Car Socket Output: 10A Max  
 Material: ABS  
 Cable length: 1000mm

**Features:**

- Supports multiple device use
- Convenient and easy to use



YM1135AC

**Product details**

Input: 12-24V  
 USB-A output: 2.4A  
 TYPE-C output: 3.0A  
 Car Socket Output: 10A Max  
 Material: ABS & Bakelite  
 Cable length: 1000mm

**Features:**

- Supports multiple device use
- Convenient and easy to use



YM1099

**Product details**

Input: 12-24V DC  
 Output: 5V 2.1A  
 Material: ABS

**Features:**

- Supports multiple device use
- Convenient and easy to use



YM1219

**Product details**

Input : 12-24V DC  
 Output : 5V 2.4A+2.4A  
 Material : Aluminum alloy

**Features:**

- Input and output voltage display
- Output current display
- Metallic texture



YM1220

**Product details**

Input: 12V-24V DC  
 Output: 5V 2.4A+2.4A  
 Material: aluminum alloy  
 LED: blue (other colors need to be customized)

**Features:**

- Small size
- Metallic texture
- High power



YM1443

**Product details**

Input: DC 12-24V  
 Output: 2.4A+1A  
 Material: aluminum alloy  
 LED: blue (other colors need to be customized)

**Features:**

- Supports multiple device use
- Convenient and easy to use



• A module that integrates wireless charging technology can provide wireless charging functions for various devices

**YM1413**

**Product details**

Toyota Helasco Wireless Charger  
 Input: 9-16V  
 Power: 15W  
 Charging efficiency: 75%  
 Number of coils: 3  
 Size: 155\*150\*15mm

**Features:**

- Specialized car mold, size match
- Good charging efficiency



**YM1414**

**Product details**

Renault 13-18 Clio4 Wireless Charger  
 Input: 9-16V  
 Power: 15W  
 Charging efficiency: 75%  
 Number of coils: 3  
 Size: 180\*86mm

**Features:**

- Specialized car mold, size match
- Good charging efficiency



**YM1415**

**Product details**

Civic 10 Generation Wireless Charger  
 Input: 9-16V  
 Power: 15W  
 Charging efficiency: 75%  
 Number of coils: 3  
 Size: 190\*121\*26mm

**Features:**

- Specialized car mold, size match
- Good charging efficiency



**YM1416A**

**Product details**

Android wireless charging module  
 Input: 9-16V  
 Power: 15W  
 Charging efficiency: 75%  
 Number of coils: 3  
 Size: 114\*64\*15mm

**Features:**

- Specialized car mold, size match
- Good charging efficiency



**YM1416B**

**Product details**

iPhone magnetic model wireless charging module  
 Input: 9-16V  
 Power: 15-18W  
 Charging efficiency: 75%  
 Number of coils: single coil  
 Size: 114\*64\*17mm

**Features:**

- Specialized car mold, size match
- Good charging efficiency



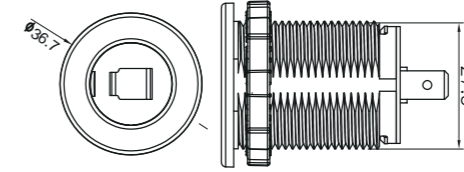
**YM1084/YM1084-20A-WW**

**Product details**

Power socket  
 Input: 12V-24V DC  
 Power: 240W Max  
 Material: Nylon

**Features:**

- Flush mounting
- Nylon fireproof housing
- 240W High Power



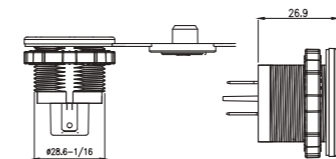
**YM1122**

**Product details**

Input: 12V-24V DC  
 Power: 240W Max  
 Material: Nylon

**Features:**

- Flush mounting
- Nylon fireproof housing
- 240W High Power



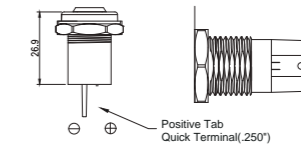
**YM1123**

**Product details**

Input: 12V-24V DC  
 Power: 240W Max  
 Material: Nylon

**Features:**

- Flush mounting
- Nylon fireproof housing
- 240W High Power



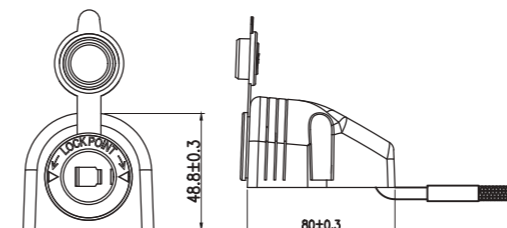
**YM1277**

**Product details**

Input: 12/24V DC  
 Output: 240W Max  
 Material: ABS/nylon/copper nickel plated

**Features:**

- Flush mounting
- Nylon fireproof housing
- 240W High Power



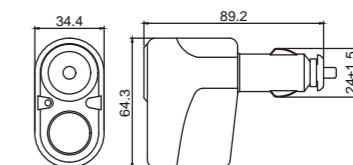
**YM1017**

**Product details**

One to two car sockets  
 Input: 12V/24V DC 5A Max  
 Output: 12V/24V DC 5A Max  
 Shell: Bakelite

**Features:**

- Multi-port design
- Increased demand



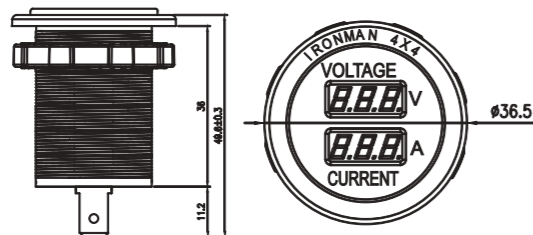
YM1159

**Product details**

Ammeter and Voltmeter  
 Rated value: 6V-30V DC  
 0A-10A DC  
 Material:Nylon  
 LED:Red  
 Opening size:φ29mm

**Features:**

- Precise range
- Flame retardant materials



YMZ063

**Product details**

Fuel Gauge  
 Voltage:9-32V  
 Material:Stainless steel & PC  
 Size:φ52mm  
 Range:0-190ℓ



YMZ064

**Product details**

Water meter  
 Voltage:9-32V  
 Material:Stainless steel & PC  
 Size:φ52mm  
 Range:0-190ℓ



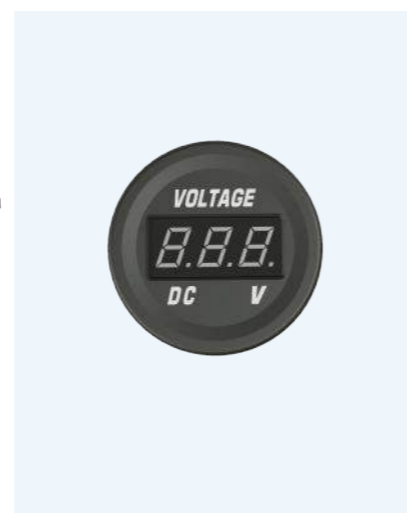
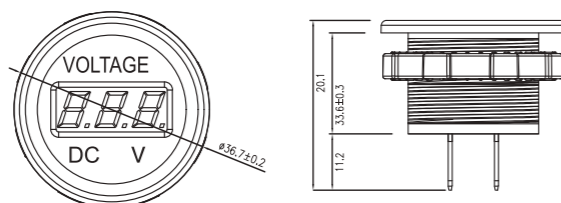
YM1083

**Product details**

Voltmeter  
 Rating:6V-60V DC  
 Material:Nylon  
 LED:Red  
 Opening size:φ29mm

**Features:**

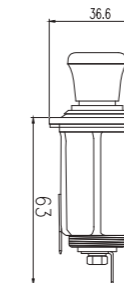
- Precise range
- Flame retardant materials



YMZ146

**Product details**

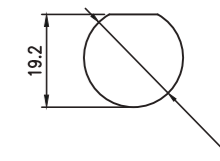
Cigarette lighter  
 Input: 12V/24V DC  
 Power: 120W Max  
 Material: nickel-plated iron, brass



YMZ072

**Product details**

RJ45 Conversion Plug  
 Cable O.D.: 6.5mm Max  
 Panel thickness: 10mm Max  
 Waterproof: IP67



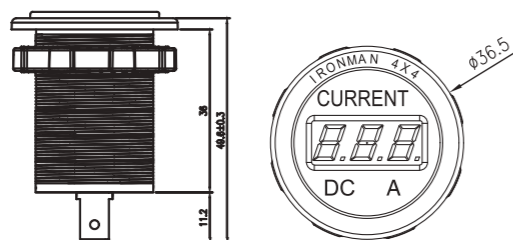
YM1169

**Product details**

Ammeter  
 Rated value:0V-10V DC  
 Material:Nylon  
 LED:Red  
 Opening size:φ29mm

**Features:**

- Precise range
- Flame retardant materials



**YMZ151-T1M6**

**Product details**

Single way busbar  
 Power: 150A  
 Stud size: M6  
 Color: black/red  
 Material: copper/nylon  
 Size: 45\*43\*32mm

**Features:**

- High safety
- Easy to install and maintain
- Multiple model options



**YMZ151-T1M8**

**Product details**

Single way busbar  
 Power: 150A  
 Stud size: M8  
 Color: black/red  
 Material: copper/nylon  
 Size: 45\*43\*32mm

**Features:**

- High safety
- Easy to install and maintain
- Multiple model options



**YMZ152-T4M8S6**

**Product details**

4+6 Busbar  
 Power: 250A 300V/250A 48V  
 Stud size: M8  
 Screw size: M4  
 Color: black/red  
 Material: copper/nylon  
 Size: 166\*34\*46mm

**Features:**

- High safety
- Easy to install and maintain
- Multiple model options



**YMZ153-T2M6S5**

**Product details**

5+2 Busbar  
 Power: 150A  
 Stud size: M6  
 Screw size: M4  
 Color: black/red  
 Material: copper/nylon  
 Size: 106\*23\*28mm

**Features:**

- High safety
- Easy to install and maintain
- Multiple model options



**YMZ151-T2M6**

**Product details**

Double terminal busbar  
 Power: 150A  
 Stud size: M6  
 Color: black/red  
 Material: copper/nylon  
 Size: 45\*43\*32mm

**Features:**

- High safety
- Easy to install and maintain
- Multiple model options



**YMZ151-T2M8**

**Product details**

Dual post busbar  
 Power: 150A  
 Stud size: M8  
 Color: black/red  
 Material: copper/nylon  
 Size: 45\*43\*32mm

**Features:**

- High safety
- Easy to install and maintain
- Multiple model options



**YMZ154-T6M8**

**Product details**

6 Way Busbar  
 Power: 275A 300V / 275A 48V  
 Stud Size: M8  
 Color: Black/Red  
 Material: Copper/Nylon  
 Size: 166\*34\*41mm

**Features:**

- High safety
- Easy to install and maintain
- Multiple model options



**YMZ155-T7M6**

**Product details**

7-way busbar  
 Power: 150A  
 Stud size: M6  
 Color: black/red  
 Material: copper/nylon  
 Size: 150\*28\*30mm

**Features:**

- High safety
- Easy to install and maintain
- Multiple model options



**YMZ152-T4M8**

**Product details**

4-way busbar  
 Power: 250A 48V  
 Stud size: M8  
 Color: black/red  
 Material: copper/nylon  
 Size: 168\*34\*47mm

**Features:**

- High safety
- Easy to install and maintain
- Multiple model options



**YMZ152-T4M10**

**Product details**

4-way busbar  
 Power: 250A 48V  
 Stud size: M10  
 Color: black/red  
 Material: copper/nylon  
 Size: 168\*34\*47mm

**Features:**

- High safety
- Easy to install and maintain
- Multiple model options



**YMZ156-T4M6S6**

**Product details**

4+6 way busbar  
 Power: 130A 300V/150A 48V  
 Stud size: M6  
 Nut size: M4  
 Color: black/red  
 Material: copper/nylon  
 Size: 140\*20\*40mm

**Features:**

- High safety
- Easy to install and maintain
- Multiple model options



**YMZ157-T2M6S12**

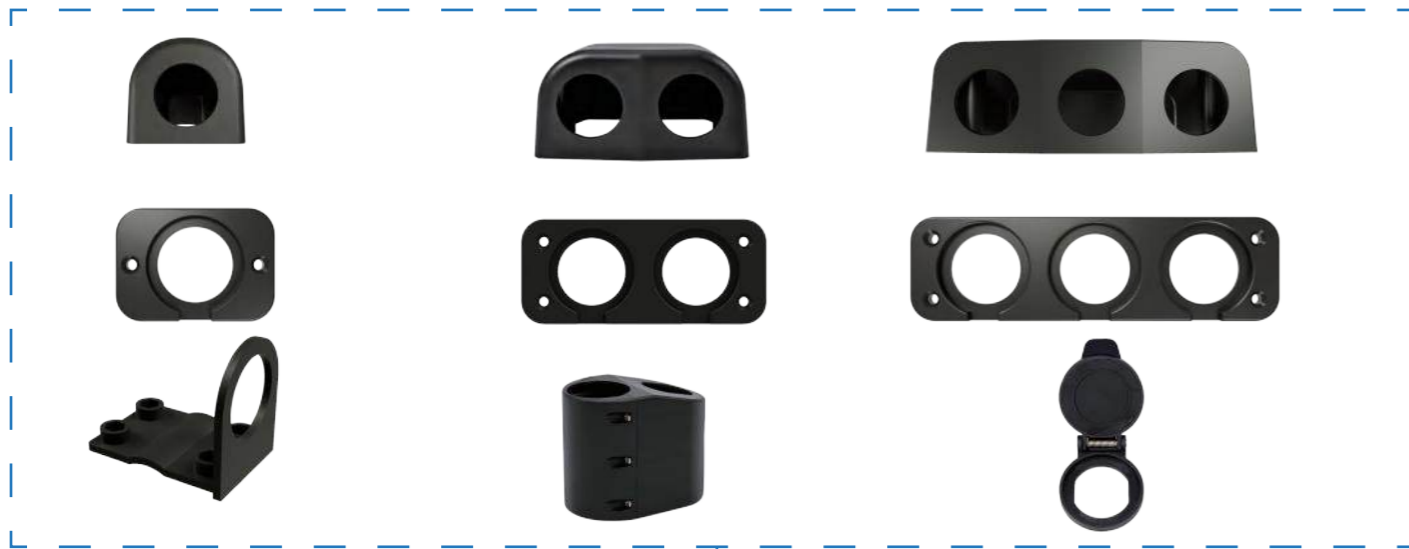
**Product details**

2+12 busbar  
 Power: 150A 48V  
 Stud size: M6  
 Nut size: M4  
 Color: black/red  
 Material: copper/nylon  
 Size: 150\*28\*31mm

**Features:**

- High safety
- Easy to install and maintain
- Multiple model options





Voltmeter and Ammeter series



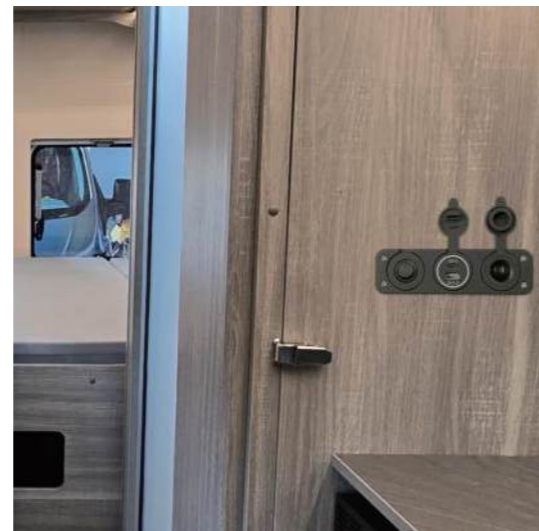
Power socket series



USB charger series



Switch series



YMP0011106

Product details

Input: 9-36V DC  
 Output: 5V 2.1A DC  
 Material: ABS & Nylon  
 LED: Blue  
 (other colors need to be customized)



YMP00312481083

Product details

Input: 9-36V DC  
 Output: 5V 2.1+2.1A DC  
 Material: PC  
 LED: Blue (other colors need to be customized)  
 Voltmeter  
 Input: 6-28V DC  
 Display range: 6-30V  
 Material: Nylon  
 LED: Red



YMP005116910841218

Product details

Ammeter  
 Input: 12V-24V DC  
 Display range: 0-10A  
 Material: Nylon  
 LED: Red  
 Power socket  
 Input: 12V-24V DC  
 Power: 240W Max, Material: Nylon  
 Car charger  
 Input: 9-36V DC  
 Output: USB-A: 5V 2.1A  
 Type-C: 5V 3A  
 When used simultaneously:4.2A Max  
 Material: PC  
 LED: blue (other colors need to be customized)



YM1457A

Product details

Input voltage: 12V-24V  
 Output: PD30W/QC18W  
 Material: ABS  
 Cable: OD4.2 ID19\*0.5  
 Size: 300mm  
 Terminal: OD12mm  
 ID6.5mm semi-insulated disk terminal



YMP0021218

Product details

Input: 9-36V DC  
 Output: USB-A: 5V 2.1A  
 TYPE C: 5V 3A  
 Simultaneous use:4.2A Max  
 Material: PC&ABS  
 LED: Blue  
 (other colors need to be customized)



YMP00412181084

Product details

YM1218:  
 Input: 9-36V DC  
 Output: USB-A: 5V 2.1A , Type-C: 5V 3A  
 When used simultaneously:4.2A Max  
 Material: PC  
 LED: Blue (other colors need to be customized)  
 Power Socket  
 Input:12V-24V DC  
 Power: 240W Max  
 Material: Nylon



YMP006115910841106

Product details

Ammeter and Voltmeter  
 Input: 12-24V DC  
 Display range: 0-10A, 6-30V  
 Material: Nylon,LED: Red  
 Power Socket  
 Input: 12V-24V DC  
 Power: 240W Max  
 Material: Nylon  
 Car charger  
 Input: 9-36V DC  
 Output: 5V 2.1A DC  
 Material: ABS & Nylon  
 LED: blue (other colors need to be customized)



YM1457B

Product details

Input voltage: 12V-24V  
 Output: 12V-24V  
 Material: ABS  
 Wire: OD4.2 ID19\*0.5  
 Size: 300mm  
 Terminal: OD12mm  
 ID6.5mm semi-insulated disk terminal



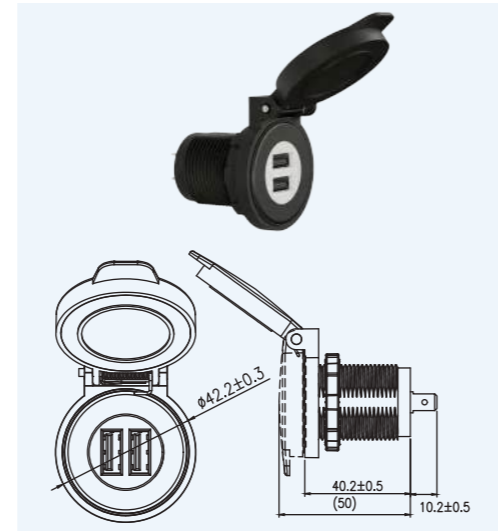
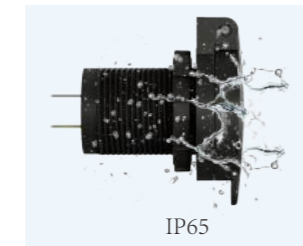
YM11061201

**Product details**

Self-recovering cover  
Material: Nylon & Silicone  
Waterproof rating: IP65

USB car charger (on request)  
Input: 9-36V DC  
Output: 5V 2.1A DC  
Material: Nylon  
LED: blue (other colors need to be customized)

- Features:**
- Any combination of products is possible



YM1427-12V2AEU

**Product details**

Input voltage: 110V-220V  
Output voltage: 12V 2A  
Material: ABS flame retardant shell  
Product size: 120\*80\*40mm  
Product weight: 0.3KG  
Scope of application: 12V3AH-20AH  
Lead-acid batteries (lithium batteries prohibited)

- Features:**
- Supports multiple battery types
  - High conversion efficiency
  - Flame retardant housing



YM1428-12V6AEU

**Product details**

Input voltage: 110V-220V  
Output voltage: 12V 6A  
Material: ABS flame retardant shell  
Product size: 150\*82\*64mm  
Product weight: 0.4KG  
Scope of application: 12V 5AH-100AH lead-acid batteries

- Features:**
- Supports multiple battery types
  - High conversion efficiency
  - Flame retardant housing



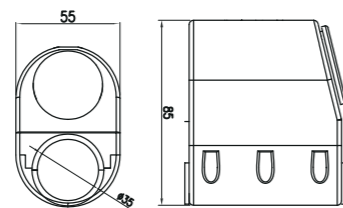
YM1185YM1106

**Product details**

Armrest type single hole mask  
Material: ABS

USB car charger (on request)  
Input: 9-36V DC  
Output: 5V 2.1A DC  
Material: Nylon  
LED: Blue (other colors need to be customized)

- Features:**
- Any combination of products is possible



YM1429-12-24V10AEU

**Product details**

Input voltage: 110V-220V  
Output voltage: 12V 10A/24V 5A  
Material: ABS flame retardant shell  
Product size: 190\*82\*62mm  
Product weight: 0.63KG  
Scope of application: 12V/24V 4AH-150AH

- General storage batteries GEL, AGM, EDB batteries  
**Features:**
- Supports multiple battery types
  - High conversion efficiency
  - Flame retardant housing



YM1430-12-24V10AEU

**Product details**

Input voltage: 110V-220V  
Output voltage: 12V 20A/24V 5A  
Material: ABS flame retardant shell  
Product size: 190\*125\*95mm  
Product weight: 0.85KG  
Scope of application: 12V/24V2AH-200AH lead-acid batteries/start-stop battery use

- Features:**
- Supports multiple battery types
  - High conversion efficiency
  - Flame retardant housing



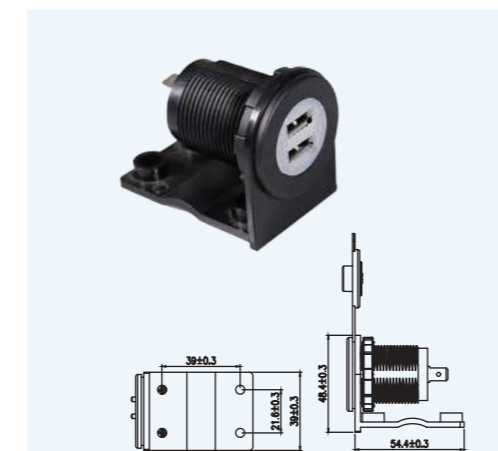
YM1239

**Product details**

L-shape car charger bracket  
Material: ABS

USB car charger (on request)  
Input: 9-36V DC  
Output: 5V 2.1A DC  
Material: Nylon  
LED: blue (other colors need to be customized)

- Features:**
- Any combination of products is possible



YM1430-12-24V20AEU

**Product details**

Input voltage: 110V-220V  
Output voltage: 12V 20A/24V 10A  
Material: ABS flame retardant shell  
Product size: 190\*125\*95mm  
Product weight: 0.82KG  
Scope of application: 12V/24V2AH-300AH lead-acid batteries/start-stop battery use

- Features:**
- Supports multiple battery types
  - High conversion efficiency
  - Flame retardant housing



YM1431-12-24V25AEU

**Product details**

Input voltage: 110V-220V  
Output voltage: 12V 25A /24V 15A  
Material: aluminum alloy  
Product size: 216\*192\*125mm  
Product weight: 1.5KG  
Scope of application: 12V/24V2AH-400AH Lead-acid lithium iron phosphate battery

- Features:**
- Supports multiple battery types
  - High conversion efficiency
  - Flame retardant housing



**YM1423-3.5KWUS**

**Product details**

Input voltage: 110V-250V AC  
 Maximum power: 3.5KW single-phase  
 Output current: 8A/10A/13A/16A  
 Charging port: American Standard  
 Function: Adjustable current, reservation time  
 Cable length: 5m, Material: TPU (CE certification)  
 Color: black  
 Waterproof rating: IP55



**YM1423-3.5KWEU**

**Product details**

Input voltage: 110V-250V AC  
 Maximum power: 3.5KW single-phase  
 Output current: 8A/10A/13A/16A  
 Charging port: European Standard  
 Function: Adjustable current, reservation time  
 Cable length: 5m, Material: TPU (CE certification)  
 Color: black  
 Waterproof rating: IP55



**YM1424-3.5KWEU**

**Product details**

Input: 110V-250V AC  
 Specification: 3.5KW single phase 16A  
 Cable length: 5M  
 Charging port: European standard  
 Color: black  
 Cable length: 5m, Material: TPU (CE certification)  
 Waterproof rating: IP55



**YM1425-11KWCEE**

**Product details**

Input: 380V AC  
 Specification: 11KW three-phase 16A  
 Function: Adjustable current, with reservation function  
 Charging port: European standard  
 Cable length: 5M, Material: TPU (CE certification)  
 Color: black  
 Waterproof rating: IP55



**YM1426-7KWEU**

**Product details**

Input: 110V-250V AC  
 Specification: 7KW single-phase 32A  
 Cable length: 5M, Material: TPU (CE certification)  
 Charging port: European standard  
 Color: black  
 Waterproof rating: IP55

**Features:**

1. Compatible with a wide range of vehicles
2. Compact and lightweight
3. Intelligent charging technology



**YM1434-7KWEU**

**7KW family AC fast charging pile**

**Product details**

Column size: 1408\*120\*50mm  
 Charging post: 7KW, swipe card, 5m line length  
 Waterproof rating: IP55

**Features:**

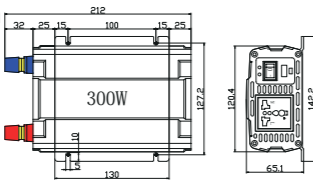
1. Efficient Charging
2. Intelligent Charging Management
3. Safety



YM1432-CZ300WUP

Product details

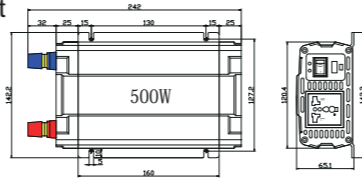
Continuous power: 300W  
 Peak power: 600W  
 Input: 12V/ 24V DC  
 Output: 110V/220V AC  
 USB: 5V 2A  
 Socket: Universal socket (can be customized)  
 Size: 212\*142\*65mm



YM1432-CZ500WUP

Product

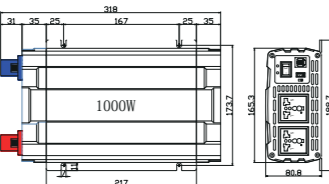
Continuous power: 500W  
 Peak power: 1000W  
 Input: 12V/24V DC  
 Output: 110V/220V AC  
 USB: 5V 2A  
 Socket: Universal socket (can be customized)  
 Size: 242\*142\*65mm



YM1432-CZ1000WUP

Product details

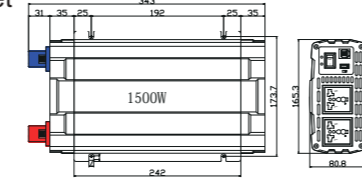
Continuous power: 1000W  
 Peak power: 2000W  
 Input: 12V/24V DC  
 Output: 110V/220V AC  
 USB: 5V 2A  
 Socket: Universal socket (customizable)  
 Size: 318\*189\*81mm



YM1432-CZ1500WUP

Product details

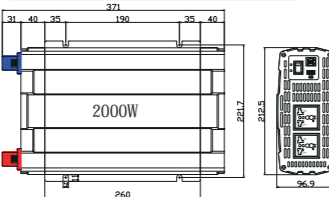
Continuous power: 1500W  
 Peak power: 3000W  
 Input: 12V/ 24V DC  
 Output: 110V/220V AC  
 USB: 5V 2A  
 Socket: Universal socket (customizable)  
 Size: 343\*189\*81mm



YM1432-CZ2000WUP

Product details

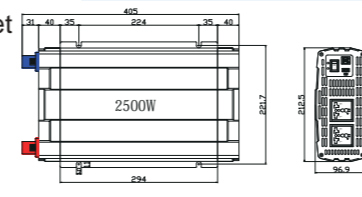
Continuous power: 2000W  
 Peak power: 4000W  
 Input: 12V/24V DC  
 Output: 110V/220V AC  
 USB: 5V 2A  
 Socket: Universal socket (customizable)  
 Size: 371\*235\*97mm



YM1432-CZ2500WUP

Product details

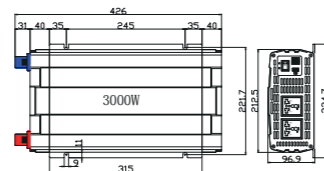
Continuous power: 2500W  
 Peak power: 5000W  
 Input: 12V/ 24V DC  
 Output: 110V/220V AC  
 USB: 5V 2A  
 Socket: Universal socket (customizable)  
 Size: 405\*235\*97mm



YM1432-CZ3000WUP

Product details

Continuous power :3000W  
 Peak power :6000W  
 Input :12V/24V DC  
 Output :110V/220V AC  
 USB:5V 2A  
 Socket: Universal socket (customizable)  
 Size :426\*235\*97mm



YM1012A



YM1005



YM1010



YM1001

LIGHTER PLUG



Temperature Protection



Short-Circuit Protection



Input Overvoltage Protection



Output Overvoltage Protection



Output Over-Current Protection



Reset Protection



Over Charge & Over Discharge Protection



Short Circuit Protection



TS16949

YM1001

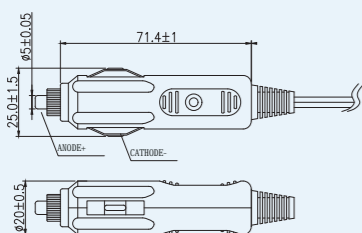


**Product details**

Car Charger Connection Cable  
12/24V 5-15A  
Material: Bakelite  
Wire specification and length according to customized requirements

**\*Features:**

- Customizable cord lengths
- Multi-device use



YM1002

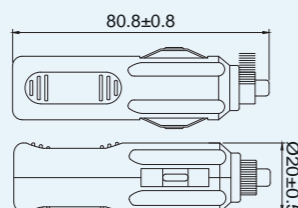


**Product details**

Car Charger Connection Cable  
12/24V 10A  
Material: Nylon  
Wire specification and length according to customized requirements

**\*Features:**

- Customizable cord lengths
- Multi-device use



YM1003

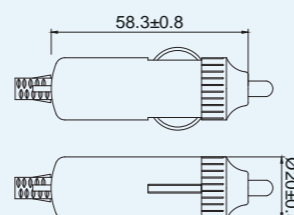


**Product details**

Bakelite car charger connecting cable  
Bakelite charging head 12/24V 5-15A  
Material: nylon  
Wire specification and length according to customized requirements

**\*Features:**

- Customizable cord lengths
- Multi-device use



YM1007

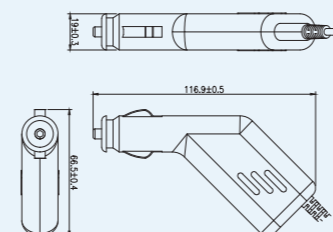


**Product details**

Gun type car charger with cable  
Input : 12-24V DC  
Output : 9V1.5A DC  
Material: ABS  
Wire specification and length according to customized requirements

**\*Features:**

- Customizable cord lengths
- Multi-device use



YM1008

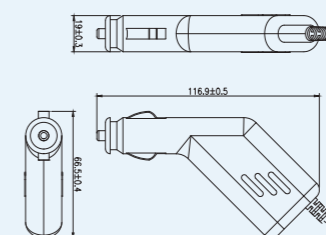


**Product details**

Gun type car charger with cable  
Input: 12V-24V  
Output: 9V1.5A  
Material: ABS  
Wire specification and length according to customized requirements

**\*Features:**

- Customizable cord lengths
- Multi-device use



YM1010

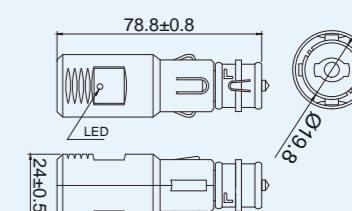


**Product details**

European car charger connecting cable 12-24V / 5-8A  
Material: ABS/Nylon  
Wire specification and length according to customized requirements

**\*Features:**

- Customizable cord lengths
- Multi-device use



YM1004

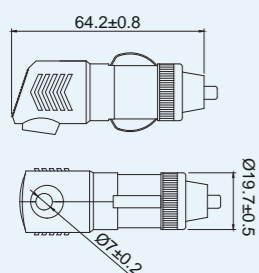


**Product details**

Material: ABS  
12/24V 1-3A  
LED: red (can be customized)  
Wire specification and length according to customized requirements

**\*Features:**

- Customizable cord lengths
- Multi-device use



YM1005

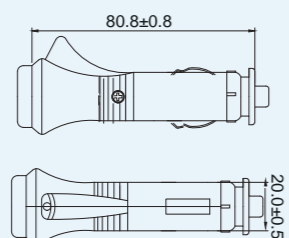


**Product details**

Material: ABS  
12/24V 1-3A  
LED: red (can be customized)  
Wire specification and length according to customized requirements

**\*Features:**

- Customizable cord lengths
- Multi-device use



YM1006

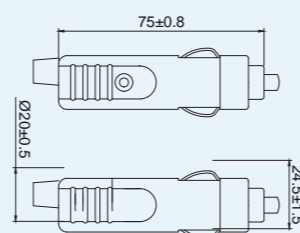


**Product details**

12/24V 10A  
Material: Nylon  
Wire specification and length according to customized requirements

**\*Features:**

- Customizable cord lengths
- Multi-device use



YM1011

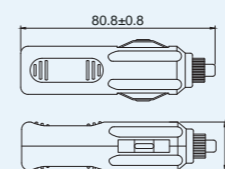


**Product details**

12/24V 5-10A  
Material: Nylon / Bakelite  
LED: red  
Wire specification and length according to customized requirements

**\*Features:**

- Customizable cord lengths
- Multi-device use



YM1012A

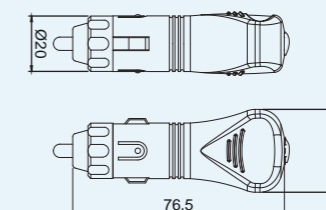


**Product details**

12V/24V 2-8A DC  
Material: Nylon  
Fuse: 10A Max  
LED: red (customizable)  
Wire specification and length according to customized requirements

**\*Features:**

- Customizable cord lengths
- Multi-device use



YM1015

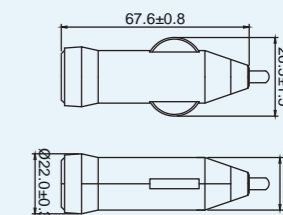


**Product details**

Car Charger Extension Cable  
12-24V 2A  
Wire specification and length according to customized requirements

**\*Features:**

- Customizable cord lengths
- Multi-device use



YM1035

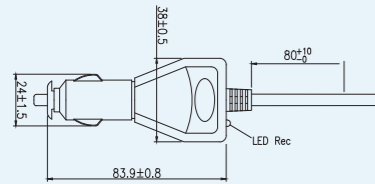


**Product details**

Input: 12V/24V DC  
Output: 9V 2A DC  
Wire specification and length according to customized requirements.

**\*Features:**

- Customizable cord lengths
- Multi-device use

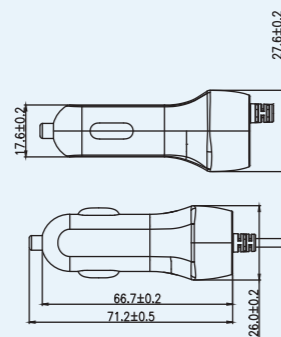


YM1264 Straight



**Product details**

linear car charger head + RJ11 connection cable  
Wire specification and length according to customized requirements



YM1208

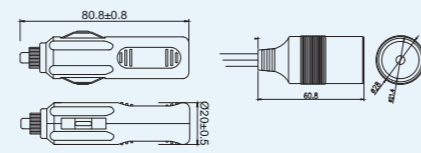


**Product details**

Car Charger Extension Cable  
Bakelite car charger + car socket  
Wire specification and length according to customized requirements

**\*Features:**

- Customizable cord lengths
- Multi-device use



YM1225

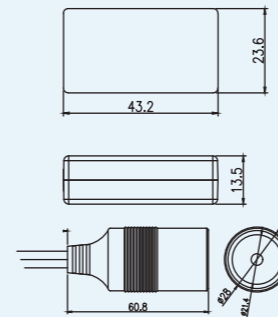


**Product details**

USB Car Socket  
Input: 5V DC 2A  
Output: 12V 0.8A Max  
Material: Bakelite  
Wire size and length according to customized requirements

**\*Features:**

- Customizable cord lengths
- Multi-device use



YM10011055

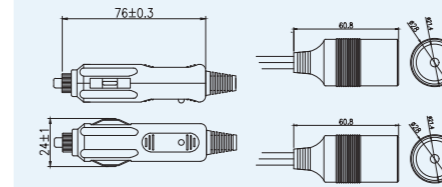


**Product details**

One to two car charger extension cable  
2\* Car Charger Female Sockets + 15A Fuse  
Material: Bakelite  
Cable specification and length according to customized requirements

**\*Features:**

- Customizable cord lengths
- Multi-device use



YM1293

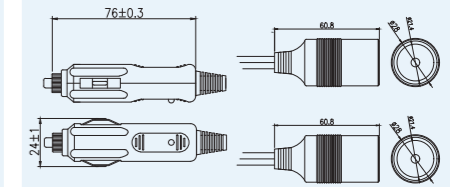


**Product details**

One to three car charger extension cable  
3\* car charger female base+15A fuse  
Material: Bakelite  
Cable specification and length according to customized requirements

**\*Features:**

- Customizable cord lengths
- Multi-device use



YM1289

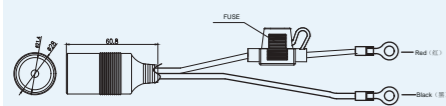


**Product details**

Car charger female chassis + fuse + disk terminal  
Wire specification and length according to customized requirements

**\*Features:**

- Customizable cord lengths
- Multi-device use



YM1215

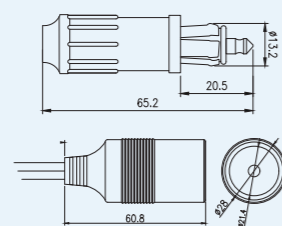


**Product details**

European standard car socket extension cable  
Wire specification and length according to customized requirements

**\*Features:**

- Customizable cord lengths
- Multi-device use



YM1039

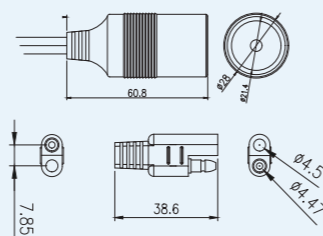


**Product details**

2P Bullet to Cigarette Lighter Busbar Wire Set  
Wire specification and length according to customized requirements

**\*Features:**

- Customizable cord lengths
- Multi-device use



YM1291

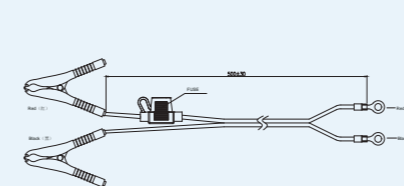


**Product details**

Fully Insulated Battery Clamps + Disc Terminals  
Wire size and length according to customized requirements

**\*Features:**

- Customizable cord lengths
- Multi-device use



YM1055

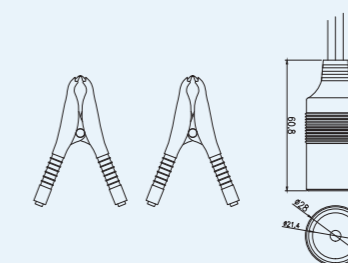


**Product details**

Fully Insulated Battery Clamp + Car Charger Female Socket  
Wire size and length according to customized requirements

**\*Features:**

- Customizable cord lengths
- Multi-device use



YM1065

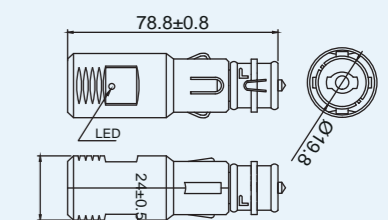


**Product details**

Semi-Insulated Battery Clamp + Car Charger Female Socket  
Wire size and length according to customized requirements

**\*Features:**

- Customizable cord lengths
- Multi-device use



YM1061

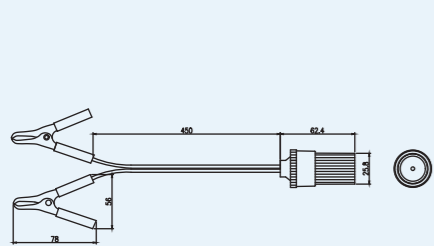


**Product details**

Semi-Insulated Battery Clamp + Car Charger Female Socket  
Wire size and length according to customized requirements

**\*Features:**

- Customizable cord lengths
- Multi-device use



YM1299

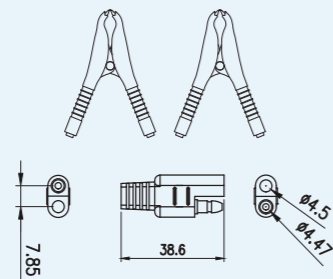


**Product details**

Fully insulated alligator clips + DC head  
Wire size and length according to customized requirements

**\*Features:**

- Customizable cord lengths
- Multi-device use



YM1419



**Product details**

Dual switch car charger with cable  
Input: 12-24V DC  
Output: 9V 2A DC  
Cable size and length according to customized requirements

**\*Features:**

- Customizable cord lengths
- Multi-device use

YM6099



**Product details**

Type-C Straight Charging Cable, Blue/Black  
Cord size and length according to customized requirements

**\*Features:**

- Fast charging capability
- Broad compatibility
- Portability and ease of use

YM6124



**Product details**

3-in-1 Retractable Charging Cable, Black  
Cord size and length on request 1000mm

**\*Features:**

- Fast charging capability
- Broad compatibility
- Portability and ease of use

YM6159



**Product details**

Type-C Straight Charging Cable, Black  
Cord size and length on request

**\*Features:**

- Fast charging capability
- Broad compatibility
- Portability and ease of use

YM3034



**Product details**

18 gauge round wire + disc terminal + fuse holder  
Fuse: 10A  
Wire size and length on request

YM3017



**Product details**

SAE 3P Extension Cord  
Cord specification and length according to customized requirements

**\*Features:**

- Quick plugging and unplugging
- Customizable wire lengths
- Easy to install and maintain

YM3079

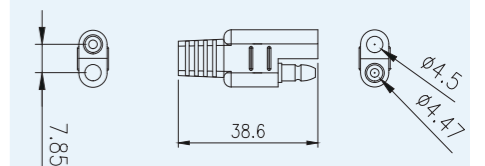


**Product details**

SAE 2P Extension Cord  
Cord specification and length according to customized requirements

**\*Features:**

- Quick plugging and unplugging
- Customizable wire lengths
- Easy to install and maintain



YM6160



**Product details**

Type-C Elbow Charging Cable, Black  
Cord size and length on request

**\*Features:**

- Fast charging capability
- Broad compatibility
- Portability and ease of use

YM3030



**Product details**

Electronic Mating Cable with Fuse  
Fuse: 10A  
Wire size and length on request

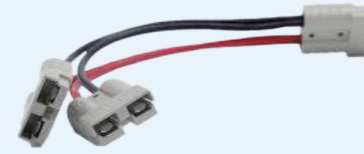
YM3033



**Product details**

Electronic connection cable with fuse  
Fuse: 10A  
Wire size and length on customized request

YM3129A



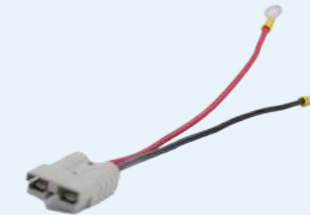
**Product details**

Current: 50A  
Material: PC  
Cable specification and length according to customized requirements

**\*Features:**

- Forklift Connector
- Battery Power Plug-in
- Waterproof, Dustproof and Fireproof

YM3129B



**Product details**

Current: 50A  
Material: PC  
Cable specification and length according to customized requirements

**\*Features:**

- Forklift Connector
- Battery Power Plug-in
- Waterproof, Dustproof and Fireproof

YM3046



**Product details**

Power cord set  
250 male TO 250 female  
10A max  
Wire size and length on request

**\*Features:**

- Customizable cord lengths
- Multi-device use

**WIRING HARNESS CUSTOMIZATION**

- Accept all car and boat connecting cables, power cables, audio and video cables, test cable sets customized service





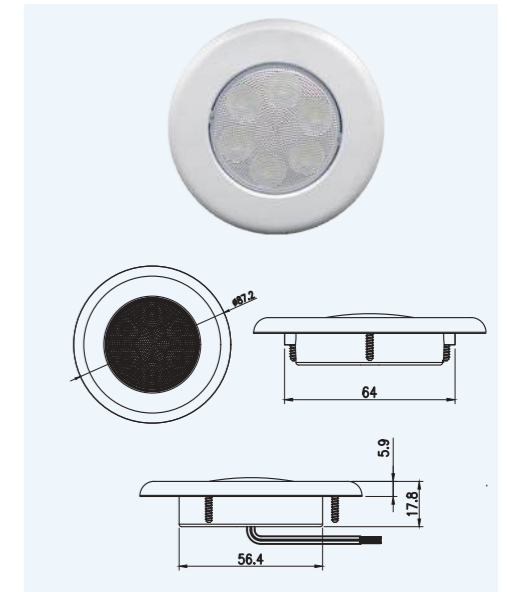
**YML048**

**Product details**

Input: 12-24V DC  
 Power: 1.8W 133LM  
 Material: ABS/PC  
 CCT: positive white light  
 Size: 87.2D\*17.8H mm  
 Waterproof grade: IP53  
 Lighting angle: 30°

**Functions:**

- Slimline design
- Flush mounting
- Diffuse reflector with high brightness bumps



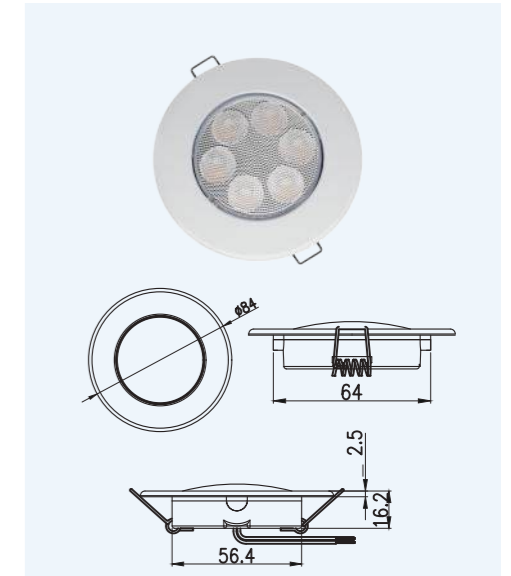
**YML049**

**Product details**

Input: 12-24V DC  
 Power: 1.8W 133LM  
 Material: ABS/PC  
 CCT: positive white light  
 Size: 87.2D\*17.8H mm  
 Waterproof grade: IP53  
 Lighting angle: 30°

**Functions:**

- Slimline design
- Flush mounting
- Diffuse reflector with high brightness bumps



**YML191**

**Product details**

Input: 12V/24V/36V  
 Power: 7W  
 Material: aluminum alloy  
 CCT: warm white light/cold light  
 Size: Outer diameter: 110mm\*Height 50mm  
 Cut-out size: φ85-100mm

**Features:**

- Recessed circlip mounting
- Beaded convex lens



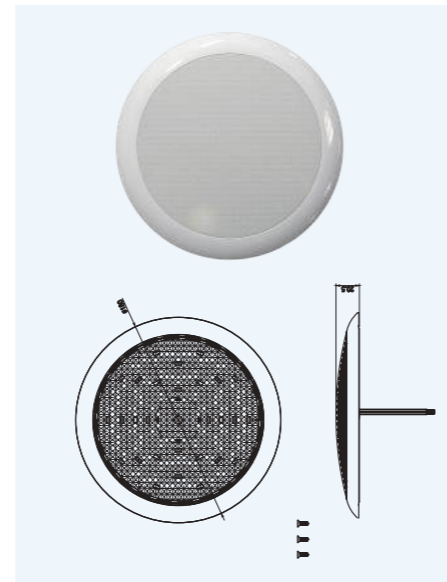
**YML021**

**Product details**

Input: 12V or 24V or 12-24V  
 Power: 10W  
 Material: ABS/PC  
 CCT: Warm white light / white light / warm white dual-color  
 Size: φ180mm  
 Waterproof grade: IP67  
 Lighting angle: 120°

**Functions:**

- Thin design
- Surface mounting
- Milky white lamp shade
- Internal diamond pattern reflective



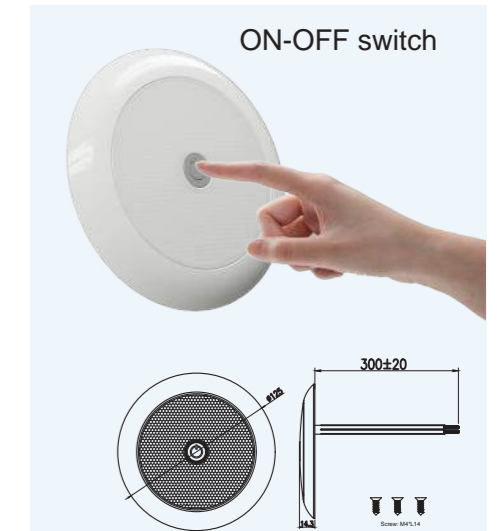
**YML072**

**Product details**

Input: 12V DC  
 Power: 3W  
 Material: ABS/PC  
 CCT: positive white light  
 Size: φ125mm  
 Waterproof grade: IP64  
 Lighting angle: 120°

**Functions:**

- Thin design
- Surface Mount
- Milky white lampshade
- Internal Bump Reflector



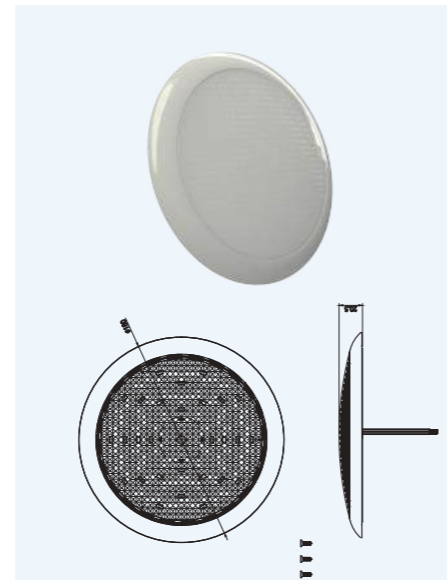
**YML021-T**

**Product details**

Input: 12V or 24V or 12-24V  
 Power: 10W  
 Material: ABS/PC  
 CCT: Warm white light / Positive white light  
 Size: φ180mm  
 Waterproof grade: IP67  
 Lighting angle: 120°  
 Switch Function: Touch  
 LED: blue/red (optional)

**Functions:**

- Thin design
- Flush mounting
- Highlight raised diffuse reflection reflective cup



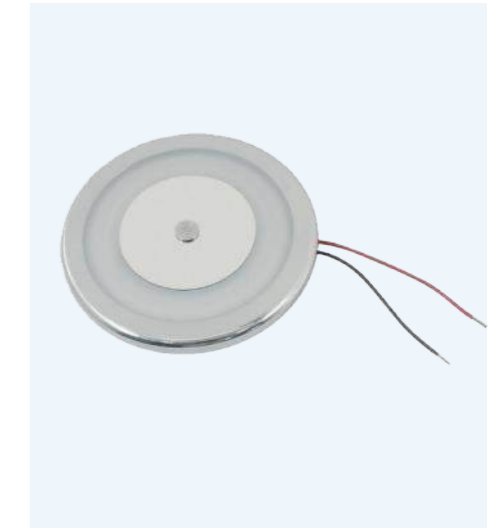
**YML302**

**Product details**

Voltage: 10-24V  
 Power: 6W  
 Material: aviation 6063 aluminum  
 Size: φ106\*8mm  
 Color: white/warm white  
 Function: Touch switch (adjustable brightness)

**Functions:**

- Adjustable brightness with touch switch



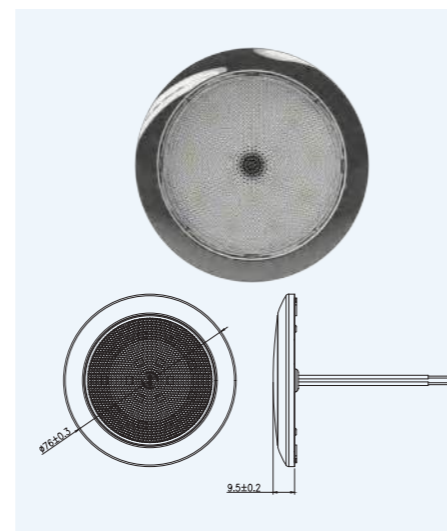
**YML136**

**Product details**

Input: 12V DC  
 Power: 3.5W 186 lm  
 Material: ABS/PC  
 CCT: positive white light  
 Size: φ76\*9.5mm  
 Waterproof grade: IP53  
 Lighting angle: 120°

**Functions:**

- Ultra-thin design
- Surface mounting
- Large illuminated area



**YML205A**

**Product details**

Voltage: 12V  
 Power: 6.8W  
 Material: ABS&PC  
 CCT:  
 1, natural white light (4000-4500K)  
 2, Positive white light (6000-6500K)  
 Size: 285\*127\*38mm

**Features:**

- Dual light design, can be single or double lighted.
- Large switch for easy operation.
- Simple installation



**YML205B**

**Product details**

Voltage: 12V  
 Power: 3.5W  
 Material: ABS & PC  
 CCT:  
 1, Natural white light (4000-4500K)  
 2, Positive white light (6000-6500K)  
 Size: 207.8\*127\*38.1mm

**Features:**

- Large switch design
- Toggle switch endless dimming
- Easy installation



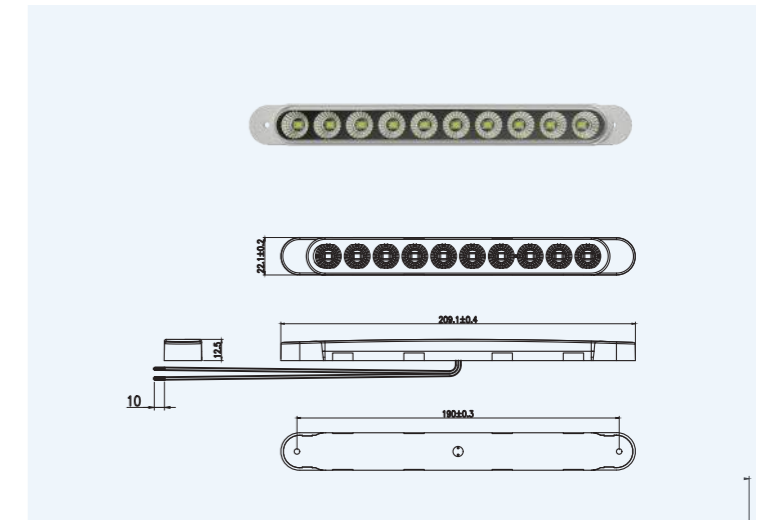
**YML055**

**Product details**

Input: 12-24V DC  
 Power: 3W 275LM  
 Material: ABS UV resistant  
 CCT: 5500K  
 Size: 22\*12.5\*209mm  
 Waterproof grade: IP65  
 Light-emitting angle: 70°

**Functions:**

- Surface mount, hidden screw hole
- Photosensitive + infrared motion sensing
- IP65 waterproof



**YML205C**

**Product details**

Voltage: 12V  
 Power: 6.8W  
 Material: ABS & PC  
 CCT:  
 1, Natural white light (4000-4500K)  
 2, Positive white light (6000-6500K)  
 Size: 279\*114\*50mm

**Features:**

- Large switch design
- Toggle switch endless dimming
- Easy installation



**YML053**

**Product details**

Input: 12-24V DC  
 Power: 3W 275LM  
 Material: ABS UV resistant  
 CCT: 5500K  
 Size: 300\*40\*16mm  
 Waterproof grade: IP65  
 Lighting angle: 70°

**Features:**

- Thin design
- Surface mounting
- High Gloss Bump Diffuse Reflector



**YML279**

**Product details**

Input: 12-80V  
 Power: 5W  
 CCT: 6500-7500K  
 Material: Aluminum substrate/PC  
 Size: 150\*73.4\*15mm

**Features:**

- high brightness
- Energy saving and power saving
- Good heat dissipation



**YML270**

**Product details**

Input: 12-85V  
 Power: 8W  
 CCT: 6500-7500K  
 Material: Aluminum & PC  
 Size: 300\*35\*15mm

**Features:**

- high brightness
- Energy saving and power saving
- Good heat dissipation



**YML278**

**Product details**

Input:12-30V  
 Power:10W  
 CCT:2700K/3700K/6300K  
 Function: Infinitely dimmable, color temperature adjustable  
 Material: Aluminum & PC

**Features:**

- high brightness
- Energy saving and power saving
- Good heat dissipation



**YML141**

**Product details**

Built-in battery: 3.6-4.2V/1200mAh  
 Type-C charging input: DC 5V 1A  
 Luminous flux: 120lm±20% 3W  
 CCT: 3000K, 6500K (optional)  
 Material: ABS&PC  
 360° Universal Adjustment  
 Charging cradle function:  
 Input: DC 12V-24V  
 Output: Type-C+USB-A (to charge external devices)

**Four applications:**

- Touch button
- Three gears dimming function



**YML200**

**Product details**

LED Dual Light Source Magnetic Lamp  
 Color: white/black  
 Input: 5V 1A  
 Power: 4W  
 CCT: 3000K/4000K/5500K  
 Material: ABS  
 Light-emitting angle: 180°

**Functions:**

- Dual light source design
- Magnetic design
- Multi-function
- USB Charging



**YML201**

**Product details**

LED Dual Light Source Magnetic Lamp  
 Color: White/Black  
 Battery capacity: 1800mAh lithium battery  
 Input: DC 5V 1A  
 Power: 4W  
 CCT: 3000K/4000K/5500K  
 Material: ABS&PPMA  
 Light-emitting angle: 180°  
 Size: 135\*65\*395mm

**Functions:**

- Dual light source design
- Magnetic design
- Multi-function
- USB Charging



**YML202**

**Product details**

LED Magnetic Lamp  
 Color: White/Black  
 Battery capacity: 1800mAh lithium battery  
 Input: DC 5V 1A  
 Power: 4W  
 CCT: 3000K/4000K/5500K  
 Material: ABS  
 Light-emitting angle: 180°  
 Size: 127\*120\*366mm

**Functions:**

- Magnetic design
- Multi-function
- USB Charging



**YML229**

**Product details**

Voltage: DC 12-24V  
 CCT: 3000/4000/6000K optional  
 Material: Aluminum head Aluminum base, iron pole  
 Switch: Mechanical switch  
 Dimension:  
 Lamp head D30\*57mm ;  
 Pole D10\*31mm ;  
 Base D59.5\*16.5mm;  
 Color:Silver/Black/Chrome/  
 Sand Nickel

**Functions:**

- Multi-angle rotation
- Eye protection design
- Energy saving and high efficiency



**YML230**

**Product details**

Voltage: DC 12-24V  
 CCT: 3000/4000/6000K optional  
 Material: aluminum head, aluminum base, iron chrome-plated pole  
 Switch: Mechanical switch  
 Size:  
 Base D59.5\*16mm;  
 Pole D8\*85mm ;  
 Lamp Head: D30.5\*56.5mm;  
 Color:Silver/Black/Chrome/  
 Sand Nickel

**Functions:**

- Multi-angle rotation
- Eye protection design
- Energy saving and high efficiency



**YML231**

**Product details**

Voltage: DC 12-24V  
 CCT: 3000/4000/6000K optional  
 Material: aluminum base + acrylic head  
 Switch: Mechanical switch  
 Size:  
 Base D59\*20mm ;  
 Lamp head: D47\*65mm ;  
 Body color: bright silver/bright black/-  
 chrome/sand nickel

**Functions:**

- Multi-angle rotation
- Eye protection design
- Energy saving and high efficiency



**YML232**

**Product details**

Voltage: DC 12-24V  
 USB output current: 5V 2A (Max)  
 CCT: 3000/4000/6000K optional  
 Material:  
 Aluminum base+ head; Iron pole  
 Switch: Mechanical switch  
 Size: Base D59.5\*22mm ;  
 Pole D10.5\*34mm ;  
 Lamp head D29\*48mm;

Color: silver/black/Chrome

**Functions:**

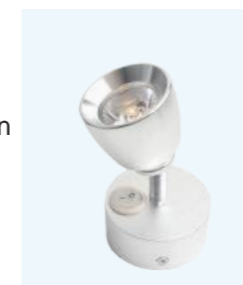
- Multi-angle rotation
- Eye protection design
- Energy saving and high efficiency



**YML233**

**Product details**

Voltage: DC 12-24V  
 CCT: 3000/4000/6000K optional  
 Material: aluminum head+base, iron chrome-plated pole  
 Switch: Mechanical switch  
 Size: Base D64.5\*28mm;  
 Pole D10.5\*31mm ;  
 Lamp head: D32.5\*28.5mm ;  
 Color: silver/black



**YML234**

**Product details**

Voltage: DC 12-24V  
 CCT: 3000/4000/6000K optional  
 Material: Aluminum base+head;  
 Iron pole  
 Switch: Mechanical switch  
 Size: Base 59.5\*16mm ;  
 Pole 10.5\*32mm ;  
 Lamp head 37\*40mm ;  
 Color: silver/black



**YML235**

**Product details**

Voltage: DC 12-24V  
 USB output current: 5V 2A (Max)  
 CCT: 3000/4000/6000K optional  
 Material: Aluminum base; Aluminum head; Iron pole;  
 Switch: Touch switch  
 Switch function:  
 single-color models long press to adjust the brightness, short press to switch lights  
 Three-color models long press to adjust the brightness, short press to switch the light and switch the color temperature.  
 Size: base D59.5\*20.5mm ;  
 Lamp head D29\*48mm ;  
 Lamp: D8\*284mm;  
 Color: black / silver / chrome / sand nickel (single color temperature / 3 color temperature)



**YML236**

**Product details**

Voltage: DC 12-24V  
 CCT: 3000/4000/6000K optional  
 Switch: Touch switch  
 Switch function: single-color long press to adjust the brightness, short press on / off  
 Double-color models  
 Long press to adjust the brightness, short press on-color adjustment-off;  
 Material:  
 Aluminum base+head; Iron pole  
 Size:  
 Base D70\*8mm ;  
 Pole D10\*32mm ;  
 Head D29\*48mm ;  
 Color: silver / black (single color temperature / 3 color temperature)



**YML240**

**Product details**

Voltage:DC 12-24V  
 USB-A:5V 4.2A  
 USB-C:PD20W 5V/9V/12V  
 CCT:3000/4000/6000K optional  
 Switch:Touch switch  
 Switch function:  
 Single color model:  
 long press to adjust the brightness, short press to turn on/off.  
 Double-color models:  
 long press to adjust the brightness, short press on - color - off  
 Material: Aluminum head +base; Iron pole  
 Size: Base D59.5\*21.8mm ;  
 Pole D8\*286mm ; Head D29.5\*50mm  
 Color: silver/black/chrome/nickel plated  
 (single color temperature/3 color temperature)



**YML255**

**Product details**

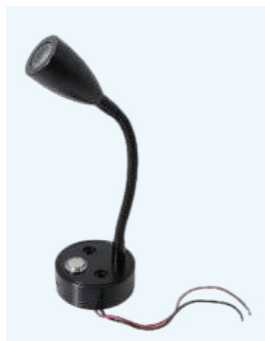
Voltage:DC 12-24V  
 CCT:3000/4000/6000K optional  
 Switch:Mechanical switch  
 Material:  
 aluminum head+base,  
 iron chrome-plated hose  
 Size: lamp pole length D10\*300mm (including the total length of the tooth pattern)  
 Lamp head D78\*22mm  
 Base:D64\*28mm  
 Color: silver/black



**YML238**

**Product details**

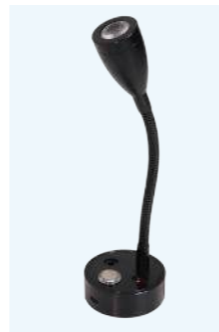
Voltage: DC 12-24V  
 USB-A: 5V 2A (Max)  
 USB-C: PD20W 5V/9V/12V  
 CCT: 3000/4000/6000K optional  
 Switch: touch switch  
 Switch function: single-color models:  
 long press to adjust the brightness, short press on/off  
 Double-color models:  
 long press to adjust the brightness, short press on - color - off  
 Material: Aluminum base; Aluminum head; Iron pole  
 Size: base 69.5\*29mm ;  
 pole D10\*284mm ;  
 head D32\*60.7mm  
 Color: black/silver/chrome (single color temperature/3 colors adjustable)



**YML239**

**Product details**

Voltage: DC 12-24V  
 USBC: PD20W 5V/9V/12V  
 CCT: 3000/4000/6000K optional  
 Switch: touch switch  
 Switch function:  
 Single-color models:  
 long press to adjust the brightness, short press on/off  
 Double-color models:  
 long press to adjust the brightness, short press on - color - off  
 Material: Aluminum base;  
 Aluminum head; Iron pole  
 Size: base 59.5\*20mm,  
 hose 8\*139mm,  
 head 29\*48mm.  
 Color: bright silver / sand black / bright black / chrome / sand nickel plated  
 (single color temperature / 3 colors adjustable)



**YML264**

**Product details**

Voltage: DC 10-30V  
 USB-A: 5V 2A (Max)  
 CCT: 3000/4000/6000K optional  
 Switch: touch switch  
 Switch function:  
 Single-color models:  
 long press to adjust the brightness, short press on/off  
 Double-color models:  
 long press to adjust the brightness, short press on - color - off  
 Material: Aluminum base+head; Iron pole  
 Size: base D59.5\*20.3mm,  
 Lamp post D10\*31mm ; Lamp head D29\*48mm  
 Color: silver / black (single color temperature / 3 color temperature)



**YML265**

**Product details**

Voltage: DC 12-24V  
 USB-A: 5V 2A (Max)  
 CCT: 3000/4000/6000K optional  
 Switch: touch switch  
 Switch function:  
 Single-color models:  
 long press to adjust the brightness, short press on/off  
 Double-color models:  
 long press to adjust the brightness, short press on - color - off  
 Material: Aluminum base+head; Iron pole  
 Size: base 59.5\*20.3mm,  
 hose 8\*149mm, head 29\*48mm.  
 Color: black/silver/chrome/sand nickel  
 (single color temperature/dimming+3 color temperature)



**YML266**

**Product details**

Voltage: DC 12-24V  
 CCT: 3000/4000/6000K optional  
 Switch: mechanical switch  
 Material: Aluminum base+head; Iron pole  
 Size: Base 59\*16mm ; Pole 10.5\*32mm ; Head 25\*60mm  
 Color: silver/black/chrome/nickel plated



**YML267**

**Product details**

Voltage: DC 12-24V  
 USB-A: 5V 2A (Max)  
 CCT: 3000/4000/6000K optional  
 Switch: touch switch  
 Switch function: touch brightness short press to switch the light long press to adjust the brightness  
 Material: Aluminum base+head; Iron pole;  
 Size: Base D59.5\*20.3mm ; Pole: D10.5\*32mm ; Head D42\*50mm  
 Color: silver/black



**YML274**

**Product details**

Voltage: DC 12-24V  
 CCT: 3000/4000/6000K optional  
 Switch: mechanical switch  
 Material: Aluminum head, Aluminum base, Iron pole  
 Dimension: Lamp head D29\*48mm ; Hose D10.5\*31.5mm ; Base: D69.5\*8mm ;  
 Color: silver, black, chrome



**YML275**

**Product details**

Voltage: DC 12-24V  
 Color temperature: 3000/4000/6000K optional  
 Switch: mechanical switch  
 Material: Aluminum head , Aluminum base , Iron hose  
 Dimension: Lamp head D29\*48mm ; Hose D8\*141mm; Base: D69.5\*8mm;  
 Color: black/silver/chrome



**YML268**

**Product details**

Voltage: DC 12-24V  
 USB-A: 5V 2A (Max)  
 CCT: 3000/4000/6000K optional  
 Switch: touch switch  
 Switch function: long press to adjust the brightness, short press on/off  
 Double-color models: long press to adjust the brightness, short press on - color - off  
 Material: Aluminum base+head; Iron pole  
 Size: base 59.5\*20.5mm, lamp head 29\*48mm, lamp: D8\*149mm  
 Color: black/silver/chrome/sand nickel (single color temperature/dimming+3 color temperature)



**YML271**

**Product details**

Voltage: DC 12-24V  
 USB-A: 5V 4.2A  
 CCT: 3000/4000/6000K optional  
 Switch: touch switch  
 Switch function: long press to adjust the brightness ,short press on/off  
 Double-color models: long press to adjust the brightness, short press on - color - off  
 Material: Aluminum base + head; Iron pole  
 Size: Base 59.5\*20.5mm; Head 29\*48mm; Pole D10.5\*32mm.  
 Color: black/silver/chrome/sand nickel (single color temperature/dimming+3 color temperature)



**YML276**

**Product details**

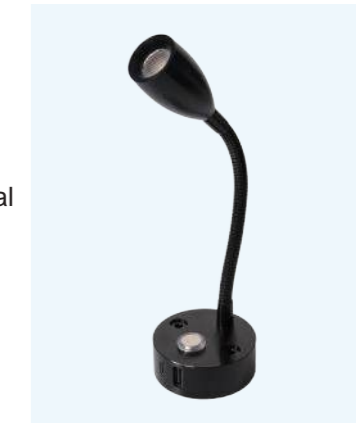
Voltage:DC 12-24V  
 USB-A:5V 4.2A  
 USB-C:PD20W 5V/9V/12V  
 CCT:3000/4000/6000K optional  
 Switch:Mechanical switch  
 Material:Aluminum head+base, Iron hose  
 Size: Base D59.5\*21.3mm ; Pole D8\*286mm; Lamp head D29.5\*50mm ;  
 Color:silver/black/chrome/nickel plated



**YML277**

**Product details**

Voltage:DC 12-24V  
 USB-A:5V 4.2A  
 USB-C:PD20W 5V/9V/12V  
 CCT:3000/4000/6000K optional  
 Switch:touch Sensor  
 Switch function: Single color model: long press to adjust the brightness, short press to turn on/off. Double-color models: long press to adjust the brightness, short press on - color - off  
 Material:Aluminum head +base ; Iron pole  
 Size: base D59.5\*21.8mm, pole D8\*140mm, Lamp head D29.5\*50mm;  
 Color: silver/black/chrome/nickel plated (single color temperature/3 color temperature)



**YML272**

**Product details**

Voltage: DC 12-24V  
 USB-A: 5V 2A (Max)  
 CCT: 3000/4000/6000K optional  
 Switch: touch switch  
 Switch function: touch brightness short press switch light long press adjust brightness  
 Material: Aluminum base+headIron pole  
 Size: base 69.5\*31mm, head 49\*49mm, pole D10.5\*31mm.  
 Color:silver base/black base



**YML273**

**Product details**

Voltage:DC 12-24V  
 USB-A: 5V 2A (Max)  
 CCT: 3000/4000/6000K optional  
 Switch: touch switch  
 Material: Aluminum base+ head; Iron pole  
 Switch function: stepless brightness adjustment  
 Size: base 59.5\*20.3mm ,lamp head 45\*65mm  
 Color: silver base/black base



**YML280**

**Product details**

Voltage:DC 12-24V  
 USB-A:5V 2.4A (Max)  
 USB-C:PD20W 5V/9V/12V  
 CCT:3000/4000/6000K optional  
 Switch:Mechanical switch  
 Material:Aluminum head+ base; Iron pole  
 Size: Base D59.5\*21.3mm, Pole D10.5\*32.5mm, Lamp head D29.5\*50mm  
 Color: silver/black/nickel/chrome plated



**YML258**

**Product details**

Voltage: AC 100-240V 50/60Hz  
 CCT: 3000/4000/6000K optional  
 Switch: Rectangular Rocker Switch  
 Material: Aluminum & Acrylic  
 Color: white/black  
 Size: 150\*150\*31mm



**YML259**

**Product details**

Voltage: AC 100-240V 50/60Hz  
 USB-A: 5V 2.1A  
 Spotlight CCT: 3000/4000/6000K optional  
 Backlight CCT: 3000-3200K  
 Dimension:  
 Pole D10\*386mm;  
 Head D25\*70mm;  
 Base D140\*31mm;  
 Material:  
 aluminum head, iron base+pole  
 Lamp color: white/black  
 Plug Type: US/European/British optional



**YML260**

**Product details**

Voltage: AC 100-240V 50/60Hz  
 CCT: 3000/4000/6000K optional  
 Size: Pole D8\*286mm;  
 Head D29\*48mm;  
 Base: 64\*28mm;  
 Material: Aluminum head+base,  
 Iron pole  
 Lamp Color: Silver/Black  
 Plug Type: US/European/  
 British/Australian Optional



**YML340A**

**Product details**

Voltage: 12V  
 Power: 3W  
 CCT: 3000/4000/6000K optional  
 Size: 168\*68\*H60mm  
 Opening size: 155\*55\*40mm  
 Material: Aluminum + Iron  
 Color: Black/White (optional)  
 Installation: Recessed  
 Switch: Concealed push switch  
**Features:**  
 • Up and down adjustment 90°  
 • 350° rotatable adjustable



**YML340B**

**Product details**

Voltage: 12V  
 Power: 3W  
 CCT: 3000/4000/6000K optional  
 Size: 168\*68\*H60mm  
 Opening size: 155\*55\*40mm  
 Material: Aluminum + Iron  
 Color: Gray  
 Installation: Recessed  
 Switches: Hidden push switch  
**Features:**  
 • Up and down adjustment 90°  
 • 350° rotatable adjustable



**YML340C**

**Product details**

Voltage: 12V  
 Power: 11W  
 CCT: 3000/4000/6000K optional  
 Size: 140\*60mm  
 Material: Aluminum  
 Color: black/white/golden bronze /rose gold  
 Installation: open installation  
 Switch: push button switch  
**Features:**  
 • Two switches independent control  
 • Translucent soft light to meet a variety of needs



**YML340D**

**Product details**

Voltage: 12V  
 Power: 3W  
 CCT: 3000/4000/6000K optional  
 Size: 190\*75\*H60mm  
 Material: Aluminum + Iron  
 Color: Black White  
 Installation: open installation  
 Switch: push button switch  
**Features:**  
 • Two switches independent control  
 • Translucent soft light to meet a variety of needs



**YML340E**

**Product details**

Voltage: 12V  
 Power: 12W  
 CCT: 3000/4000/6000K optional  
 Size: 265\*35\*H155mm  
 Lampshade round φ100mm  
 Material: Aluminum+Acrylic  
 Color: Black White  
 Installation: Surface mounting  
 Switch: Zipper switch  
**Features:**  
 • Translucent soft light to meet a variety of needs  
 • 180° rotatable





**YML068**

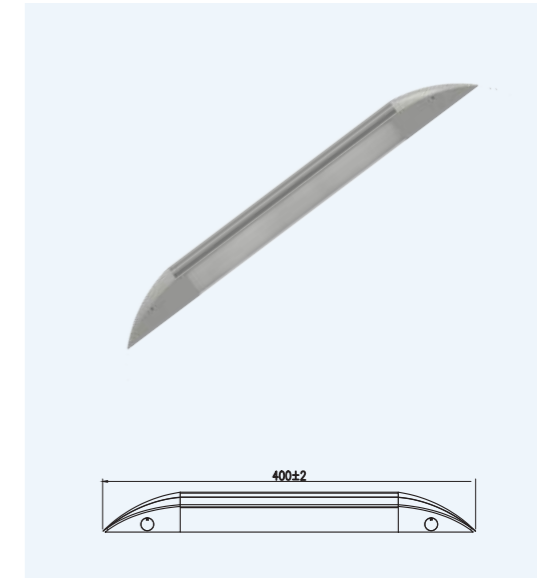
**Product details**

Input: 12V /24VDC  
 Power: 4.2W 360LM (YML068A)  
 4.6W 560LM (YML068B)  
 5W 694lm (YML068C)  
 Material: aluminum alloy/PC  
 CCT: 5500K  
 Size: 400\*33.4\*42mm (YML068A)  
 600\*33.4\*42mm (YML068B)  
 750\*33.4\*42mm (YML068C)

Waterproof rating: IP65  
 Light-emitting angle: 45°

**Features:**

- Aluminum alloy shell, one-piece molded lampshade
- IP65 waterproof



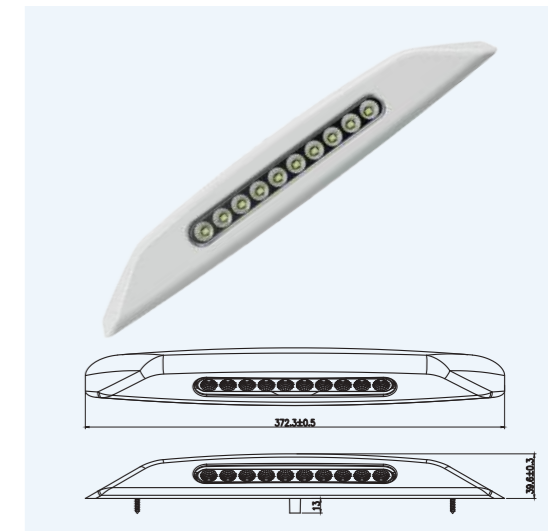
**YML051**

**Product details**

Input: 12-24V DC  
 Power: 3W 275LM  
 Material: ABS/PC  
 CCT: 5500K  
 Size: 372.2\*39.6\*51.6mm  
 Waterproof grade: IP65  
 Lighting angle: 45°

**Features:**

- 45 degree irradiation angle
- ABS anti-UV material
- IP65 waterproof



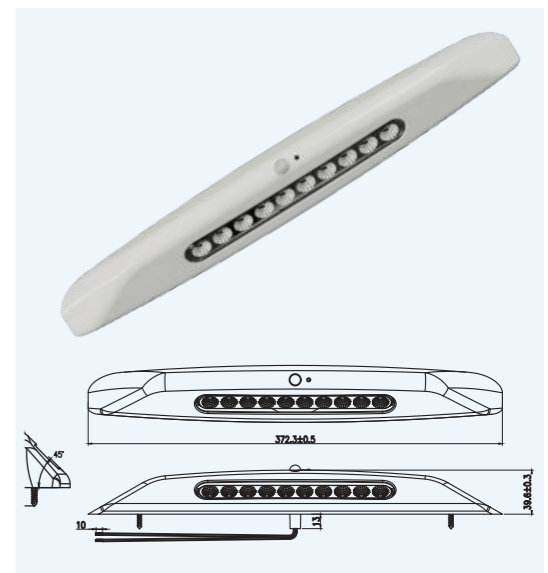
**YML052**

**Product details**

Input: 12-24V DC  
 Power: 3W 275LM  
 Material: ABS//PC  
 CCT: 5500K  
 Size: 372.2\*39.6\*51.6mm  
 Waterproof grade: IP65  
 Lighting angle: 45°

**Functions:**

- 45 degree irradiation Angle
- ABS anti-UV material
- IP65 waterproof
- Photosensitive + infrared motion sensor



**Product Introduction:**

The light strip is a kind of soft and flexible lighting product, usually composed of LED lamp beads and flexible circuit boards, which can be freely bent and cut according to needs, suitable for a variety of indoor and outdoor decoration and lighting needs. The lamp belt has the characteristics of rich color, energy saving and environmental protection, easy installation, etc., which is a popular choice in the field of modern lighting.

**YML218**

**Product details**

Power :12W  
 Size :8mm  
 Voltage :12V  
 Waterproof class :IP20  
 CCT: Ice blue, blue, red, green, golden  
 Number of lamp beads :320 LED  
 Packing :5M/roll  
 Material: FPC+3M adhesive



**YML311/YML312**

**Product details**

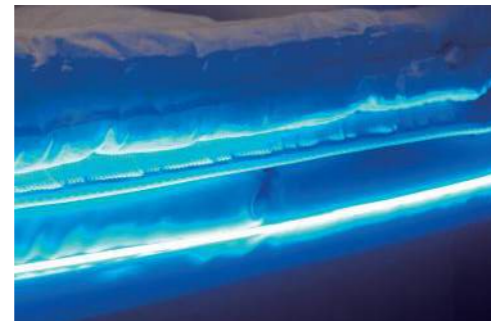
Voltage: 12V  
 Power: 7W/10W  
 Specification: 3mm/5mm  
 Material: FPC+3M adhesive  
 Waterproof grade: IP20  
 CCT: warm light / white light / cold light  
 Number of lamp beads: 384 LED  
 Packing: 5M/roll



**YML313**

**Product details**

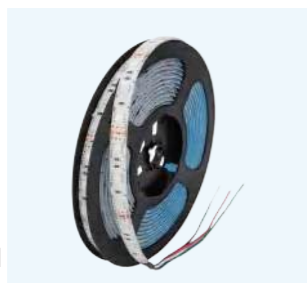
Voltage: 12V  
 Power: 12W  
 Specification: 12mm  
 Material: FPC+3M adhesive  
 Waterproof grade: IP20  
 CCT: phantom color  
 Number of beads: 720 LED  
 Packing: 5M/roll



**YML029**

**Product details**

Voltage: 12V  
 Power: 12W  
 Width: 10mm  
 Material: FPC+3M adhesive  
 Waterproof grade: IP44  
 CCT: RGB  
 Number of beads: 60 LED/M  
 Packing: 5M/roll



**YML129**

**Product details**

Voltage: 12V  
 Power: 12W  
 Width: 10mm  
 Material: FPC+3M adhesive  
 Waterproof grade: IP44  
 CCT: 4000K 5050  
 Number of beads: 60 LED/M  
 Packing: 5M/roll



**YML199**

**Product details**

LOGO Lamp  
 Input: 12-24V DC  
 Power: 3W  
 Color temperature: 6500K  
 Material: PMMA&Aluminum alloy

**Functions:**

- High Definition Convex Mirror
- Aluminum Housing, HD Glass Lens



**YML192**

**Product details**

Input: 12-24V  
 Power: 10W  
 Material: ABS  
 CCT: 5500K  
 Light-emitting angle: spotlight

**Features:**

- Spotlight Reflector
- Screwed in for easy installation



**YML208**

**Product details**

Voltage: DC 12V-24V  
 Power: 5W  
 Material: ABS  
 Color: red, white, yellow  
 Size: 140\*140\*15mm  
 Waterproof rating: IP65

**Functions:**

- 15mm thin design
- Easy surface mounting



**YML184**

**Product details**

Input: 13.5V  
 Power: 2W  
 CCT: 5500K  
 Material: PC  
 Light-emitting angle: 120  
 Size: φ42.5±0.3mm

**Functions:**

- Recessed Snap Mount
- Round Bump Lens



**YML203**

**Product details**

Voltage: 12V  
 Power: 1.2W  
 CCT: 6000K  
 Material: ABS  
 Color: red, orange, blue, green, white, black  
 Size: φ73\*15mm  
 Waterproof rating: IP65

**Functions:**

- Imitation metal plating
- High transmittance PC lampshade



**YML223**

**Product details**

Voltage: 12-24V  
 Power: 0.8W  
 LED: blue  
 Material: ABS  
 Size: 66\*33mm  
 Waterproof rating: IPX4

**Functions:**

- Black Exterior
- Surface Mount
- Half-illuminated, anti-dazzle



**YML213**

**Product details**

Voltage: DC 12- 24V  
 Power: 2W  
 Color: red, yellow, white  
 Material: ABS+PC  
 Size: 119\*29\*20mm  
 Waterproof rating: IP65

**Functions:**

- High brightness illumination
- Available in a variety of colors
- Waterproof and dustproof
- Easy to install



**YML214**

**Product details**

Voltage: 12V/24V  
 Power: 1.2W  
 Material: PC  
 Size: 65mm\*27mm  
 Waterproof rating: IP65

**Functions:**

- High brightness lighting
- Available in a variety of colors
- Waterproof and dustproof
- Easy to install



**YML224**

**Product details**

Voltage: 24V  
 Power: 2W  
 Material: PC  
 Color: red, blue, orange, white, green  
 Size: 105\*85mm  
 Waterproof rating: IP65

**Functions:**

- Integrated design of directional lamps and indicator lamps



**YML225**

**Product details**

Voltage: 12V/24V  
 Power: 0.4W  
 Material: PC/PVC  
 Color: red  
 Size: 60\*40\*35mm  
 Waterproof rating: IP65

**Features:** Wide-viewing lamps, two-color design



**YML190**

**Product details**

Input: 12V/24V  
 Power: 0.3W  
 Material: PC  
 Size: 29\*20.8mm  
 Waterproof rating: IP65

**Functions:**

- High brightness LED
- Colors available
- Fisheye design



**YML209**

**Product details**

Input: 12V  
 Power: 3W  
 Material: ABS  
 Color: Red, Yellow, White  
 Size: 250\* 30\*20mm

**Functions:**

- Strip Lights
- Easy surface mounting



**YML211**

**Product details**

Voltage: 12-24V  
 Power: 2W  
 Waterproof: IP67  
 Material: PA  
 Single color lamp size: 72\*54mm  
 Trombone light size: 100\*54mm  
 Visibility:>2 nautical miles



**YML227**

**Product details**

Working voltage:DC 12-24V  
 Rated power:5W  
 CCT:4000-4500K  
 Lighting Angle:360°  
 Material:PC+ABS+316 stainless steel+aluminum  
 Height:6inch(152.4mm)/8inch(203.2mm)/Height:12inch(304.8mm)  
 Visibility:>2 nautical miles  
 Waterproof rating: IP67

**Functions:**

- 360 degree visibility
- High brightness illumination
- Waterproof and dustproof
- Durable and stable



**YML206A**

**Product details**

Voltage: 12V  
 Power: 2W  
 Material: ABS  
 Color: red, green, red and green dual-color  
 Size: 81\*104\*48mm  
 Waterproof rating: IP65

**Features:**

- All plastic design
- Lightweight and easy to install
- Red and green dual color, high brightness signal light



**YML206B**

**Product details**

Voltage :12V  
 Power :2W  
 Material:PC plating&ABS  
 Colors: Red, Green, Red and green  
 Size :81\*104\*48mm  
 Waterproof rating: IP65

**Features:**

- Housing stainless steel design
- Light and easy to install
- Red and green
- High light



**YML207**

**Product details**

Voltage: 12V  
 Power: 1.6W  
 Material: stainless steel & PC  
 Color: red, green  
 Size: 61\*45\*50mm  
 Waterproof rating: IP68

**Features:**

- Stainless steel housing, corrosion resistant
- High transmittance PC lampshade



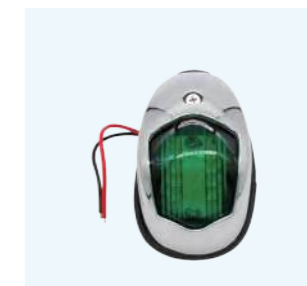
**YML219**

**Product details**

Voltage: 12V  
 Power: 3W  
 Material: PC  
 Color: red, green  
 Size: 104\*64\*33mm  
 Waterproof rating: IP65

**Features:**

- Easy installation
- Highly translucent PC lampshade



**YML303**

**Product details**

Name:port and starboard light  
 Voltage:12-24V  
 Power:3W  
 Material:Nylon & PC  
 Size:79\*65\*56mm  
 Color:red/green  
 Waterproof rating: IP66

**Features:**

- Easy to install
- Highly translucent PC lampshade



**YML204A**

**Product details**

Voltage: 10-30V  
 Power: 5.4W  
 Material: stainless steel 316  
 Size: 95.8\*41.6\*21.8mm  
 Color: transparent light, transparent green/yellow/blue  
 Waterproof rating: IP68

**Features:**

- Stainless steel housing
- Anti-corrosion
- Highly translucent PC lampshade



**YML204B**

**Product details**

Voltage: 10-30V  
 Power: 8.4W  
 Material: stainless steel 304  
 Size: 131.6\*14.4\*22.8mm  
 Color: transparent light, transparent green, transparent yellow, transparent blue  
 Waterproof rating: IP68

**Features:**

- Stainless steel housing
- Anti-corrosion
- Highly translucent PC lampshade



**YML300**

**Product details**

Voltage:12-24V  
 Power:11.5W  
 Material:PC&316 stainless steel  
 Size:φ102\*26mm  
 Color:RGB  
 Waterproof grade: IP68  
 Control mode: controller, adjustable color

**Features:**

- Stainless steel housing
- Anti-corrosion



**YML217A**

**Product details**

Power: 4W  
 Material: die-casting aluminum  
 Color: white light, warm light, colorful  
 Lighting angle: 30°  
 Size: 180\*40mm  
 Waterproof rating: IP65

**Functions:**

- Solar Charging
- Automatic light control
- Waterproof and durable
- Easy to install



**YML217B**

**Product details**

Power: 2W  
 Material: ABS  
 CCT: 3000K+6000K/Blue+6000K  
 Light-emitting angle: 360°  
 Battery: 1200mAH  
 Size: 120\*23mm  
 Waterproof rating: IP65

**Functions:**

- Solar charging
- Automatic light control
- Waterproof and durable
- Easy to install



**YML301**

**Product details**

Voltage:12-24V  
 Power:3.2W  
 Material:316 stainless steel  
 Size:φ140\*33mm  
 Color:white light  
 Waterproof rating: IP65

**Features:**

- Stainless steel housing
- Anti-corrosion



**YML304**

**Product details**

Voltage:12V  
 Power:1W  
 Material:PC+ stainless steel 304  
 Size:φ72mm  
 Color:white/blue/white+blue  
 Waterproof rating: IP65

**Features:**

- Stainless steel housing
- Anti-corrosion



**YML217C**

**Product details**

Material: PP+PS  
 CCT: White  
 Battery: 800mAH  
 Lighting time: 6 hours  
 Size: 103\*60\*140mm  
 Waterproof rating: IP44

**Functions:**

- Solar charging
- Automatic light control
- Waterproof and durable
- Easy to install



**YML220B**

**Product details**

Voltage:12V  
 Power:0.6W  
 Material:PC+Stainless steel ring  
 Size:84\*38\*14mm  
 Color:red/yellow/white/orchid/green  
 Waterproof rating: IP65

**Features:**

- Stainless steel housing
- Anti-corrosion



**YML203B**

**Product details**

Voltage:12V  
 Power:0.6W  
 Material:PC+Stainless steel ring  
 Size:75\*49\*40mm  
 Color:white/red/yellow/green/blue  
 Waterproof rating: IP65

**Features:**

- Stainless steel housing
- Anti-corrosion



**YML217D**

**Product details**

Material: ABS  
 CCT: White light/Warm light (optional)  
 Battery: 500mAH  
 Lighting time: 6 hours  
 Size: 52\*124\*63mm  
 Waterproof rating: IP65

**Functions:**

- Solar charging
- Automatic light control
- Waterproof and durable
- Easy to install



**YML217E**

**Product details**

Material: ABS  
 CCT: White light/Warm light (optional)  
 Battery: 1500mAH  
 Lighting time: 12 hours  
 Size: 124\*48\*64mm  
 Waterproof rating: IP65

**Functions:**

- Solar charging
- Automatic light control
- Waterproof and durable
- Easy to install



**YML210A**

**Product details**

Voltage: 12V /24V  
 Size: 300\*90\*22mm  
 Material: Iron & PC  
 Position lights, brake lights, directional lights, reverse lights, all-in-one tail lights



**YML210B**

**Product details**

Voltage: 12V /24V  
 Size: 300\*90\*22mm  
 Material: Iron & PC  
 Position light, brake light, directional light, reverse light, all-in-one taillight



**YML210C**

**Product details**

Voltage: 12V /24V  
 Size: 290\*90\*22mm  
 Material: Iron & PC  
 Position light, brake light, directional light, reverse light, all-in-one taillight



**YML210D**

**Product details**

Voltage: 12V /24V  
 Size: 300\*90\*22mm  
 Material: Iron & PC  
 Position light, brake light, directional light, reverse light, all-in-one taillight



**YML210E**

**Product details**

Voltage: 12V /24V  
 Size: 290\*90\*22mm  
 Material: Iron & PC  
 Position light, brake light, directional light, reverse light, all-in-one taillight



**YML210F**

**Product details**

Voltage: 12V /24V  
 Size: 300\*90\*22mm  
 Material: Iron & PC  
 Position light, brake light, directional light, reverse light, all-in-one taillight



**Features:**

- All-in-one taillights such as position lights, brake lights, direction lights, reversing lights, etc.
- Snap type easy installation

**YML315**

**Product details**

Iron shell generous light  
 Input: 12/24V  
 Power: 55W/70W  
 Bulb: H3/H4  
 Material: Iron shell & ABS  
 Size: 185\*130\*125mm  
 Protection: IP57  
 Suitable for all kinds of excavators



**YML318**

**Product details**

High brightness LED work light  
 Input: 12-60V  
 Power: 27W  
 CCT: 6500K  
 Material: die-casting aluminum shell & acrylic mask  
 Size: 110\*110\*55mm  
 Protection: IP65  
**Features:**  
 • High brightness  
 • LED light source  
 • Durable



**YML320**

**Product details**

Front light  
 Input: 12/24V  
 Power: 55W/70W  
 Bulb: H3  
 Material: ABS  
 Size: 188\*110\*110mm  
 Protection: IP57  
 High efficiency  
**Features:**  
 • High performance  
 • LED light source  
 • Long life and stability



**YML316**

**Product details**

Front light  
 Input: 12/24V  
 Power: 55W/70W  
 Bulb: H4  
 Material: PA  
 Size: 155\*210\*110mm  
 Protection: IP56  
**Features:**  
 • High brightness  
 • LED light source  
 • Durable



**YML319**

**Product details**

High brightness LED work light  
 Input: 12-60V  
 Power: 27W  
 CCT: 6500K  
 Material: die-casting aluminum shell & acrylic mask  
 Size: 105\*105\*50mm  
 Protection: IP65  
**Features:**  
 • High brightness  
 • LED light source  
 • Durable



**YML324**

**Product details**

Large aperture long-range light  
 Input: 12-50V  
 Power: 30W  
 CCT: 3300K+6500K  
 Material: aluminum shell + PC reflector  
 Size: 110\*75\*65mm  
 Protection: IP67  
**Features:**  
 • High performance  
 • LED light source  
 • Long life and stability



**YML325**

**Product details**  
 LED roof warning light  
 Input: 9-90V  
 Power: 15W  
 Light color:  
 yellow/white/blue/green/red  
 Light mode: strobe  
 Material: PC  
 Size: 100\*130mm  
 Protection: IP65  
**Features:**

- Flashing mode
- Various colors to choose



**YML326**

**Product details**  
 LED burst flash warning light  
 Input: 12-24V  
 Power: 40W  
 Light color:  
 yellow/white/blue/green/red  
 Light mode: strobe & burst flash & rotating  
 Material: PVC  
 Size: 175\*170\*120mm  
 Protection: IP65  
**Features:**

- Flashing mode
- Various colors to choose



**YML326B**

**Product details**  
 Voltage: 12-80V  
 Power: 7W  
 Material: PC  
 Color: red, orange, blue  
 Size: 115\*84.5mm  
 Waterproof: IP65  
**Features:**

- Waterproof and dustproof
- High brightness
- Strong reflective light
- Strong magnetic attraction
- Firm and drop-resistant



**YML326C**

**Product details**  
 Voltage: 12-80V  
 Power: 7W  
 Material: PC  
 PC lampshade + ABS base  
 Color: red, orange  
 Size: 110\*81mm  
 Waterproof: IP65  
**Features:**

- Easy installation
- Highly translucent PC lampshade



**YML339A**

**Product details**  
 Voltage:24V  
 Power:2W  
 Color temperature:3000K  
 Material:Die-casting aluminum  
 Protection grade:IP54  
 Size:φ67mm  
 Opening size:55\*50mm  
 Color:sand black/sand  
**Features:**

- Low energy consumption
- Long life
- Multi-purpose use



**YML339B**

**Product details**  
 Voltage:24V  
 Power:2W  
 Color temperature:3000K  
 Protection grade:IP54  
 Size:67\*67mm  
 Opening size:55\*50mm  
 Color:sand black/sand white/sand gray  
**Features:**

- Low energy consumption
- Long life
- Multi-purpose use



**YML327**

**Product details**  
 One word red light warning light  
 Input: 12-80V  
 Power: 27W  
 Light color: red  
 Material: aluminum alloy & acrylic lens  
 Size: 153\*46\*39mm  
 Protection: IP65  
**Features:**

- High brightness
- Super spotlight
- According to the convenient



**YML328**

**Product details**  
 LED warning light  
 Input: 9-30V  
 Power: 60W  
 Light color:  
 yellow/white/blue/green/red  
 Material: PC&ABS  
 Size: 160\*130mm (without bracket)  
 Protection: IP65  
**Features:**

- Energy saving
- Fast response, no delay
- Long service life



**YML339C**

**Product details**  
 Voltage :24V  
 Power :2W  
 Material:aluminum + acrylic  
 Color temperature:3000K  
 Protection grade:IP54  
 Size:φ65mm  
 Opening size :50\*70mm  
 Color:brushed gold/brushed black/brushed silver/brushed gray gold  
**Features:**

- Low energy consumption
- Long life
- Multi-purpose use



**YML339D**

**Product details**  
 Voltage :24V  
 Power :1W  
 Material :Die-casting aluminum voltage  
 Color temperature:3000K  
 Protection grade:IP56  
 Size:φ83mm  
 Opening size :65\*50mm  
 Color:sand black/sand self/sand gray  
**Features:**

- Low energy consumption
- Long life
- Multi-purpose use





Model	Picture	Size	Product Description	Accessories
YML281-10*10			Input voltage: 12V/24V Material: Aluminum & PC CCT (3000K/4000K/6000K optional), length support customization.	Plastic plug to secure the buckle
YML281-08*09				
YML281-10*10B				
YML281-10*10C				
YML281-16*16				
YML281-18*09			Input voltage: 12V/24V Material: Aluminum & Silicone CCT (3000K/4000K/6000K optional), length support customization.	
YML142-30.6*9.7			Aluminum: oxidized matte silver Light guide: frosted PC CCT and length according to customized requirements	
YML143-23.6*9.7				
YML144-7.8*9.0				
YML145-10*10				
YML146-10*13				
YML147-12.5*13.3				
YML148-9.0*12				
YML149-10.1*8				
YML150-13*6.8				
YML151-12.8*14				

Model	Picture	Size	Product Description	Accessories
YML152-15*14.3			Aluminum: oxidized matte silver Light guide: frosted PC CCT and length according to customized requirements	Plastic plug to secure the buckle
YML153-12.6*12.5				
YML154-12.7*13.2				
YML155-15*6				
YML156-12.2*6.9				
YML157-17.5*12				
YML158-17*14.3				
YML159-16.7*12				
YML160-17.1*14.8				
YML161-14*9				
YML162-20.68*8.8				
YML163-15.4*12.8				
YML164-20*20				

YMAV007

Product details

7-inch screen:  
 Processor: Spreadtrum 7731 / UIS8581A / Qualcomm SDM450  
 OS: Android 8 / Android 10 / Android 10  
 Running memory: 1/2/3/4G+32/64G  
 Bluetooth: 2.4GHZ / 4.0GHZ / V4.2  
 REVERSE DISPLAY: Not supported / AHD / AHD  
 CARPLAY: Not supported / CARPLAY ANDROID AUTO / CARPLAY ANDROID AUTO  
 Positioning System: GPS ONLY ,BDS ONLY GPS+BDS GPS+GLONASS / GPS  
 BEIDOU GLONASS / GPS BEIDOU GLONASS



YMAV006

Product details

9-inch screen:  
 Processor: Spreadtrum 7731 / UIS8581A / Qualcomm SDM450  
 OS: Android 8 / Android 10 / Android 10  
 Running memory: 1/2/3/4G+32/64G  
 Bluetooth: 2.4GHZ / 4.0GHZ / V4.2  
 REVERSE DISPLAY: Not supported / AHD / AHD  
 CARPLAY: Not supported / CARPLAY ANDROID AUTO / CARPLAY ANDROID AUTO  
 Positioning System: GPS ONLY ,BDS ONLY GPS+BDS GPS+GLONASS / GPS BEIDOU  
 GLONASS / GPS BEIDOU GLONASS



YMAV008

Product details

10.1 inch screen:  
 Processor: Spreadtrum 7731 / UIS8581A / Qualcomm SDM450  
 OS: Android 8 / Android 10 / Android 10  
 Running Memory: 1/2/3/4G+32/64G  
 Bluetooth: 2.4GHZ / 4.0GHZ / V4.2  
 REVERSE DISPLAY: Not supported / AHD / AHD  
 CARPLAY: Not supported / CARPLAY ANDROID AUTO / CARPLAY ANDROID AUTO  
 Positioning System: GPS ONLY ,BDS ONLY GPS+BDS GPS+GLONASS / GPS  
 BEIDOU GLONASS / GPS BEIDOU GLONASS



YMAV011A

**Product details**

Radio  
 Material: die-casting aluminum  
 Size:188\*58\*60mm  
 Function: FM/AM/RDS radio, Bluetooth function, English IDS, universal remote control, RCA output, ISO power speaker cable, AUX input



YMAV011D

**Product details**

Working Voltage:12V  
 Size:φ120mm  
 Opening size;110\*80mm  
 Waterproof rating:IP68  
 Player features:RCA subwoofer output, preamplifier(Max 200W), reservation equalizer, Bluetooth audio connection



YMAV011B

**Product details**

Radio  
 Material: die-cast aluminum  
 Size:188\*58\*60mm  
 Function: FM/AM/RDS radio, Bluetooth function, English IDS, universal remote control, RCA output, ISO power speaker cable, AUX input, USB playback/USB charging



YMAV013A

**Product details**

Working Voltage:12V  
 Waterproof rating:IP66  
 Player features: RCA subwoofer output, preamplifier (maximum 200W) reservation equalizer, Bluetooth audio connection  
 Speaker: Size: 6.5 inch (173\*61\*127mm)  
 Frequency Response:100-20000Hz  
 Decibel:90db



YMAV011C

**Product details**

Radio  
 Material: die-cast aluminum  
 Size:188\*58\*60mm  
 Function: FM/AM/RDS radio, Bluetooth function, English IDS, universal remote control, RCA output, ISO power speaker cable, AUX input, USB playback/USB charging



YMAV013B

**Product details**

Working Voltage:12V  
 Waterproof rating:IP66  
 Player Features:Bluetooth connectivity for music playback, 64GB USB port, AM FM RDS receiver, 3.5mm AUX connectivity for peripheral devices, 200W RCA output for amplifier and subwoofer  
 Speaker: Size: 6.5 inch (173\*61\*127mm)  
 Frequency Response:100-20000HZ  
 Decibel:90db



YM1400

**Product details**

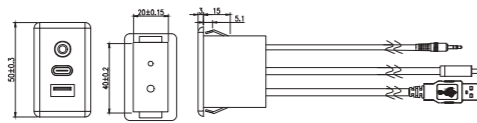
Type-C 3.1+USB3.0+3.5AUX Extension Cable

Material: PVC & Nylon

Cable length: 1500mm (customizable)

**Functions:**

- High data function transmission
- Customizable cable length



YM1405

**Product details**

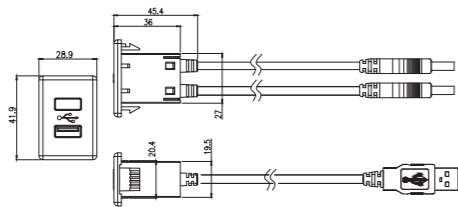
USB-A+C Extension Cable

Material: PVC & Nylon

Cable length: 1500mm (customizable)

**Functions:**

- High data function transmission
- Customizable cable length



YM1399

**Product details**

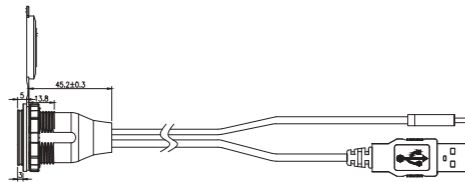
Type-C 3.1+USB3.0 Extension Cable

Material: PVC & Nylon

Cable length: 1500mm (customizable)

**Functions:**

- High data function transmission
- Customizable cable length



YM1401

**Product details**

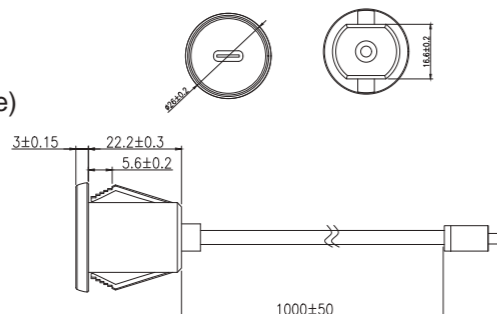
Type-C 3.1 Extension Cable

Material: PVC & Nylon

Cable length: 1500mm (customizable)

**Functions:**

- High data function transmission
- Customizable cable length



YM1232

**Product details**

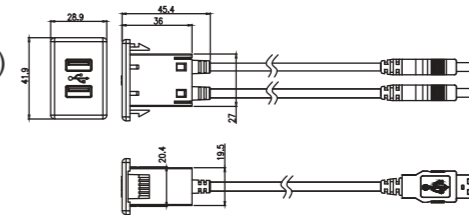
Dual USB male to female

Material: PVC & Nylon

Cable length: 500mm (customizable)

**Functions:**

- High data function transmission
- Customizable cable length



YM1233

**Product details**

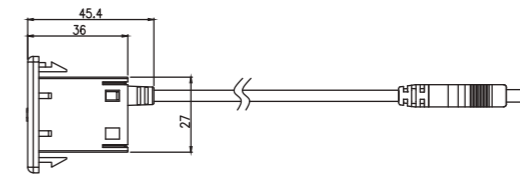
USB Male to Female

Material: PVC & Nylon

Cable: 500mm (customizable)

**Functions:**

- High data function transmission
- Customizable cable length



YM1171

**Product details**

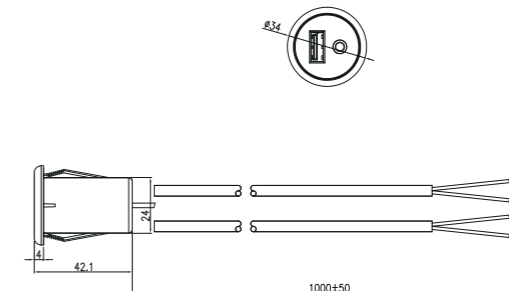
USB2.1A+3.5AUX

Material: PVC & Nylon

Cable length: 1000mm (customizable)

**Functions:**

- High data function transmission
- Customizable cable length



YM1241

**Product details**

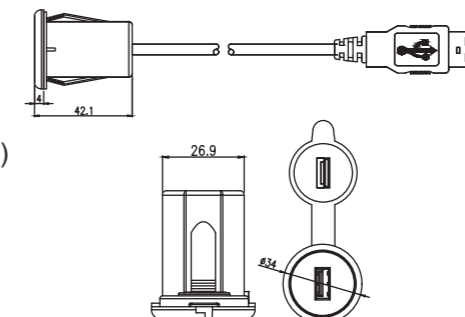
USB Male to Female

Material: PVC & Nylon

Cable length: 1000mm (customizable)

**Functions:**

- High data function transmission
- Customizable cable length



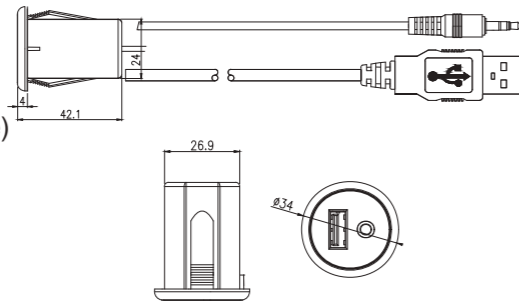
YM1121

**Product details**

USBA+3.5 AUX Extension Cable  
Material: PVC & Nylon  
Cable length: 1000mm (customizable)

**Functions:**

- High data function transmission
- Customizable cable length



YM3049

**Product details**

4PIN Aviation Female  
PVC Coiled Wire  
OD: 4.5mm  
Wire length: 400mm  
(customizable)



YM3050

**Product details**

5PIN Aviation Female  
PVC Coiled Wire  
OD: 4.5mm  
Wire length: 400mm  
(customizable)



YM3051

**Product details**

HDMI Male to Female  
Cable  
OD: 5.5mm  
Cable length: 350mm  
(customizable)



YM3052

**Product details**

RJ11 Crystal Head  
Reel Cable  
OD: 3.0mm  
Cable length:  
1500mm (customizable)



YM3053

**Product details**

White Microphone  
Extension Cable  
OD: 5.0mm  
Cable length: 2100mm  
(customizable)



YM3056

**Product details**

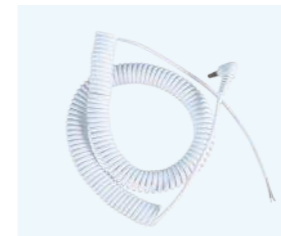
Dual-channel 3.5  
tone plug PU high  
elasticity coiled cable  
OD: 1.5mm  
Cable length: 3000mm  
(customized)



YM3057

**Product details**

Dual-channel 3.5 tone  
plug PU high elasticity  
coiled cable  
OD: 5.0mm  
Cable length: 500mm  
(customizable)



YM3065

**Product details**

PS/2 serial port PU  
coiled cable  
OD: 5.0mm  
Cable length: 500mm  
(customizable)



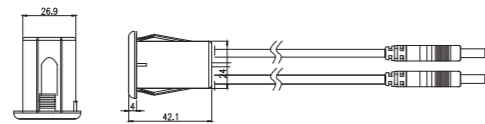
YM1240

**Product details**

Dual USB male to female  
Material: PVC & Nylon  
Cable length: 1000mm (customizable)

**Functions:**

- High data function transmission
- Customizable cable length



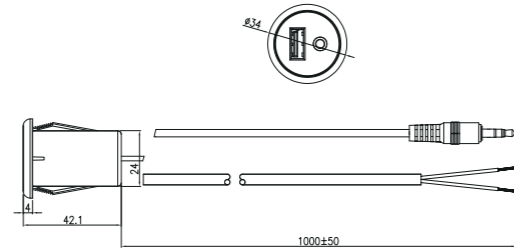
YM1170

**Product details**

USBA+3.5 AUX Extension Cable  
Material: PVC & Nylon  
Cable length: 1000mm (customizable)

**Functions:**

- High data function transmission
- Customizable cable length



YM3031

**Product details**

#20/2C RCA plug +  
connector  
Cable length: 500mm  
(customizable)



YM3032

**Product details**

#20/2C RCA Male TO  
Female  
Cable length: 500mm  
(customizable)



YM4033

**Product details**

6.35 Dual Channel Tone  
Plug Highly Flexible PVC  
Coiled Wire  
OD: 6.0mm  
Wire length: 265mm  
(customizable)



YM3047

**Product details**

RJ45 Crystal Head  
PVC Reel+Connector  
OD: 6.0mm  
Cable length: 1000mm  
(customizable)



YM3077

**Product details**

4P Connector TO USB  
Cable length: 300mm  
(customizable)

