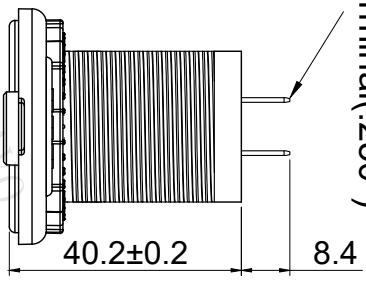
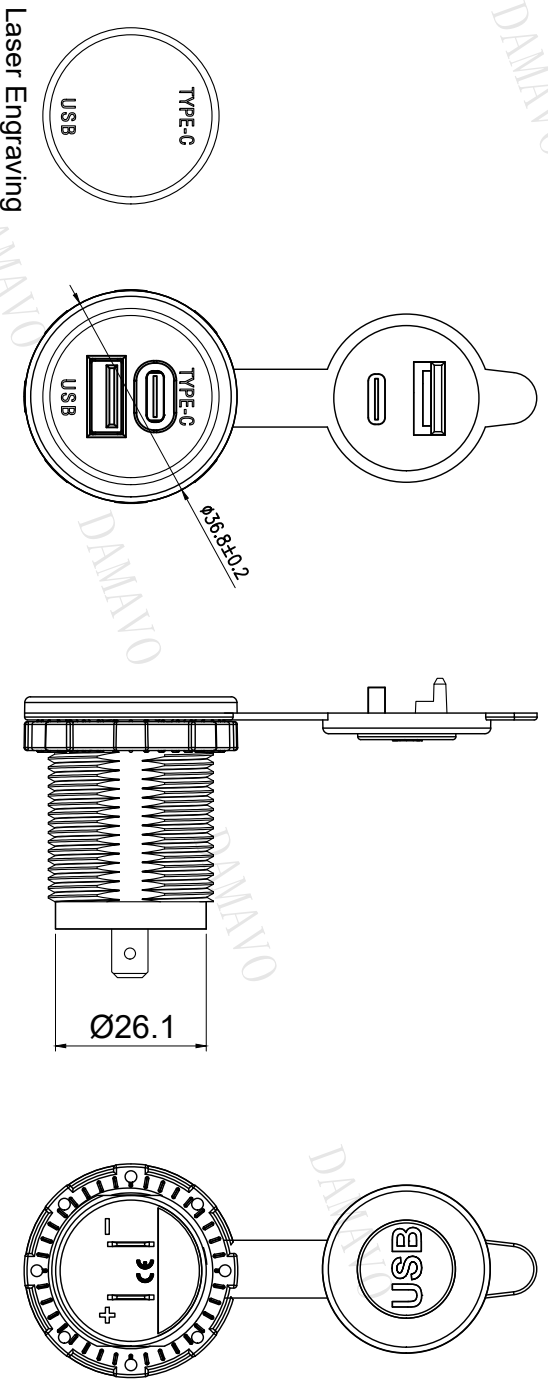


Quick Terminal (.250")



| | | |
|-----------------------|---|--|
| Rating | Input: 12-24V DC Output: PD3.0DC 5V3A, 9V3A, 12V2.5A, 15V2A, 20V1.5A QC3.0DC 5V3A, 9V3A, 12V2.5A, 20V1.5A | |
| Insulation Resistance | DC 500V 100MΩ Min. | |
| Dielectric Strength | AC 1500V 1 minute | |
| Operation Temperature | -20°C~+60°C | |

- * Short Circuit Protection
- * Polarity Protection
- * Overload Protection
- * Thermal Protection
- * USB lifespan 5000times
- * Ordinary PE bag packaging



Laser Engraving

| | | | | | | | | |
|------|------|-------------|-----|---------------------------------|----------|----------|------------|----------------------------|
| Date | Name | Description | No. | Drawn | Checked | Approved | YM BOM No. | Model Name |
| | | | △ | COCO | Ray | Tim | | USB car charging |
| | | | △ | 02/14/22 | 02/15/22 | 02/15/22 | | Model No. YM1298-PD3.0-BWB |
| | | | | | | | mm | Rev. 0 |
| | | | | Yerning Electronic Co., Limited | | | | |