

GPS&GLONASS ACTIVE ANTENNA SPECIFICATION

1. Application:

This application shall apply for antenna unit which shall be used with an engine for automobile

2. Appearance:

Antenna Unit (with radome, connector, and cable – refer to an attached drawing)	
Dimensions	φ66.5*49.8mm
Radome	#S1-M
Output Connector	TNC
Cable	NA

3. Operating Condition:

Operating Temperature	-40 ~ +85°C
Relative Humidity	20 ~ 95% RH

4. Storage Condition:

Storage Temperature	-40 ~ +85°C
Relative Humidity	20 ~ 95% RH
Recommended Storage condition	Store in room condition as listed below: Temperature -20°C ~ +45°C, Humidity 80% Max.

5. Electrical Specification:

* All value are defined at 25±15°C, 65±20 % RH, power handling 10 watt, air pressure 960 ±100 HPA unless otherwise noted.

* Antenna characteristics are measured with test housing in an anechoic chamber.

5-1 GNSS PATCH Antenna

Characteristics		Specification
Frequency Range		1575MHz~1606MHz
Center Frequency		1575&1602 ±3MHz
Bandwidth (10Db return loss)		50 MHz
Zenith Gain (on 100*100mm ground)	1575.42MHZ	5.0 dBic typ.
	1602MHz	5.0 dBic typ.
Polarization		R.H.C.P.
Axial ratio		4dB @90°, 6Db @20°
Dimension		25*25*6mm

UNLESS OTHER SPECIFIED TOLERANCES ON: X=± X.X=± X.XX=± ANGLES=± HOLEDIA=±		TOXU	TOXU TECHNOLOGY CO., LTD.
SCALE:	UNIT: mm		
DRAWN BY : XIN	CHECKED BY: YS	THIS DRAWINGS AND SPECIFICATIONS ARE THE PROPERTY OF TECHN OLOGY CO.,LTD.AND SHALL NOT BE REPRODUCED OR USED AS THE BASIS FOR THE MANUFACTURE OR SALE OF APPARATUS OR DEVICES WITHOUT PERMISSION	
DESIGNED BY: De wen	APPROVED BY: YS		
TITLE: GA.00XX GNSS ACTIVE ANTENNA SPECIFICATION			SPEC REV. P0

5-2 GNSS LNA

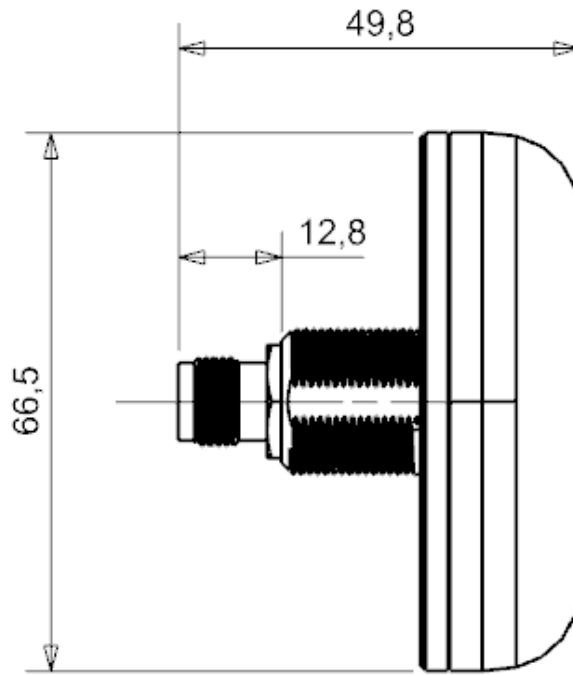
Characteristics	Specification
Frequency Range	1575MHz~1606MHz
Gain	41 dB typ.
Gain flatness	±2dB
Noise Figure	<2.5 dB
Output V.S.W.R	<1.5
Operation Voltage	2.7~10 V
Current	<25 Ma

5-3 GNSS Overall Specifications (Through Antenna & LNA)

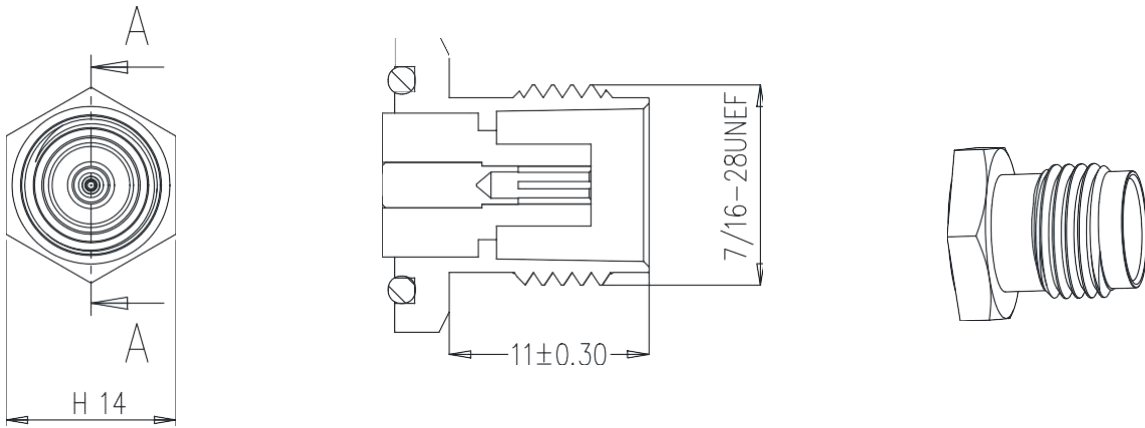
Characteristics	Specification
Frequency Range	1575MHz~1602MHz
Zenith Gain	41 dBic typ.
Output Impedance	50 ohm
Output VSWR	≤ 1.5
Operation Voltage	2.7~16V
Current	<25 Ma
Ex-band Rejection	50Db TYP.@CF±50MHZ
Mounting model	screw type
Water proof class	IP67 rated
Vibration	3 axis,10 to 200HZ, sweep 15min,3G
Shock	Vertical axis:50G, other axes:30G
ESD protection	15KV air discharge
Salt Fog/ Spray	MIL-STD-810F SECTION 509.4
Environmentally friendly	ROHS Compliant, CE, REACH, RED, Zamak White Metal

6. Antenna Dimension:

UNLESS OTHER SPECIFIED TOLERANCES ON: X=± X.X=± X.XX=± ANGLES=± HOLEDIA=±		TOXU	TOXU TECHNOLOGY CO., LTD.
SCALE:	UNIT: mm		
DRAWN BY : XIN	CHECKED BY: YS	THIS DRAWINGS AND SPECIFICATIONS ARE THE PROPERTY OF KINGRF TECHNOLOGY CO.,LTD.AND SHALL NOT BE REPRODUCED OR USED AS THE BASIS FOR THE MANUFACTURE OR SALE OF APPARATUS OR DEVICES WITHOUT PERMISSION	
DESIGNED BY: De wen	APPROVED BY: YS		
TITLE: GA.0071.XX GNSS ACTIVE ANTENNA SPECIFICATION			SPEC REV. P0



7. Connector appearance: TNC CONNECTOR



8. Product Image:

UNLESS OTHER SPECIFIED TOLERANCES ON: X=± X.X=± X.XX=± ANGLES=± HOLEDIA=±		TOXU TOXU TECHNOLOGY CO., LTD.
SCALE:	UNIT: mm	
DRAWN BY : XIN	CHECKED BY: YS	THIS DRAWINGS AND SPECIFICATIONS ARE THE PROPERTY OF KINGRF TECHNOLOGY CO.,LTD.AND SHALL NOT BE REPRODUCED OR USED AS THE BASIS FOR THE MANUFACTURE OR SALE OF APPARATUS OR DEVICES WITHOUT PERMISSION
DESIGNED BY: De wen	APPROVED BY: YS	
TITLE: GA.0071.X X X GNSS ACTIVE ANTENNA SPECIFICATION		SPEC REV. P0