

GA-XXX-GN-G1S GNSS ACTIVE ANTENNA SPECIFICATION

1. Application:

This application shall apply for antenna unit which shall be used with an engine for automobile

2. Appearance:

Antenna Unit (with radome, connector, and cable – refer to an attached drawing)	
Dimensions	50.5*56*17.5mm
Radome	#S1W
Output Connector	SMA PLUG
Cable	RG-174 (black)

3. Operating Condition:

Operating Temperature	-40 ~ +85°C
Relative Humidity	20 ~ 95% RH

4. Storage Condition:

Storage Temperature	-40 ~ +95°C
Relative Humidity	20 ~ 95% RH
Recommended Storage condition	Store in room condition as listed below: Temperature -20°C ~ +45°C, Humidity 80% Max.


5. Electrical Specification:

* All value are defined at 25±15°C, 65±20 % RH, power handling 10 watt, air pressure 960 ±100 HPA unless otherwise noted.

* Antenna characteristics are measured with test housing in an anechoic chamber.

5-1 GNSS PATCH Antenna

Characteristics		Specification
Frequency Range		1560MHz~1605MHz
Center Frequency		1580 MHz
Bandwidth (10dB return loss)		50 MHz
Zenith Gain	1561.098MHZ	3.6 dBic typ.
	1575.42 MHz	4.1 dBic typ.
	1602.5625 MHz	3.2 dBic typ.
Polarization		R.H.C.P.

UNLESS OTHER SPECIFIED TOLERANCES ON :			KINGRF TECHNOLOGY CO., LTD.
X=±	X.X=±		
ANGLES=±		HOLEDIA=±	
SCALE :	UNIT : mm		
DRAWN BY : XIN	CHECKED BY: YS		
DESIGNED BY: De wen	APPROVED BY: YS		
TITLE : GA-XXX-GN-G1S GNSS ACTIVE ANTENNA SPECIFICATION		DOCUMENT NO.	SPEC REV. P0

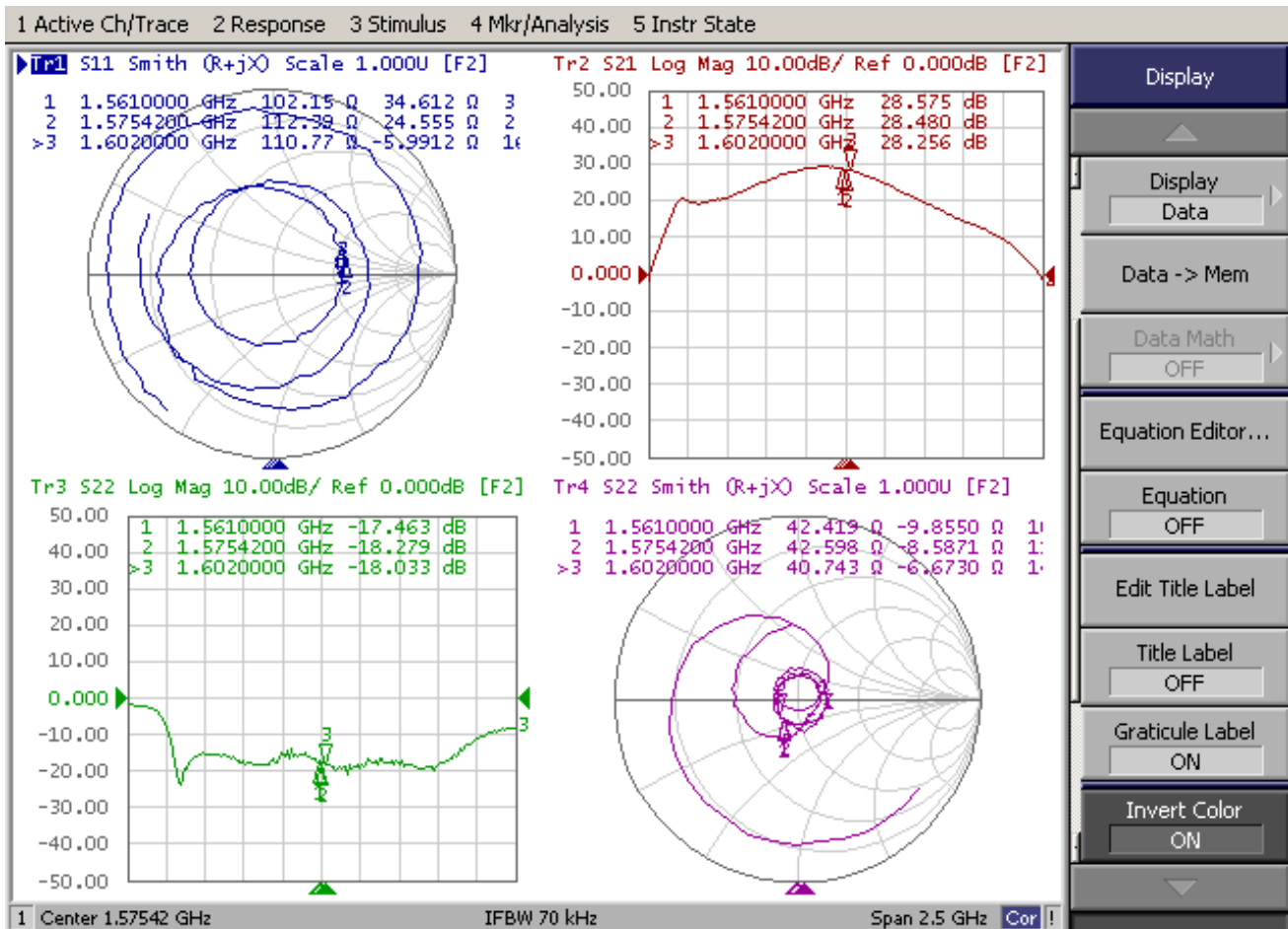
5-2 GNSS LNA

Characteristics	Specification
Frequency Range	1560MHz~1605MHz
Gain	27±3 dB
Noise Figure	2.0 dB typ
Output V.S.W.R	2.0 max
Operation Voltage	3.3~5 V
Current	10~25 mA

5-3 GPSGLONASS Overall Specifications (Through Antenna , LNA and cable)

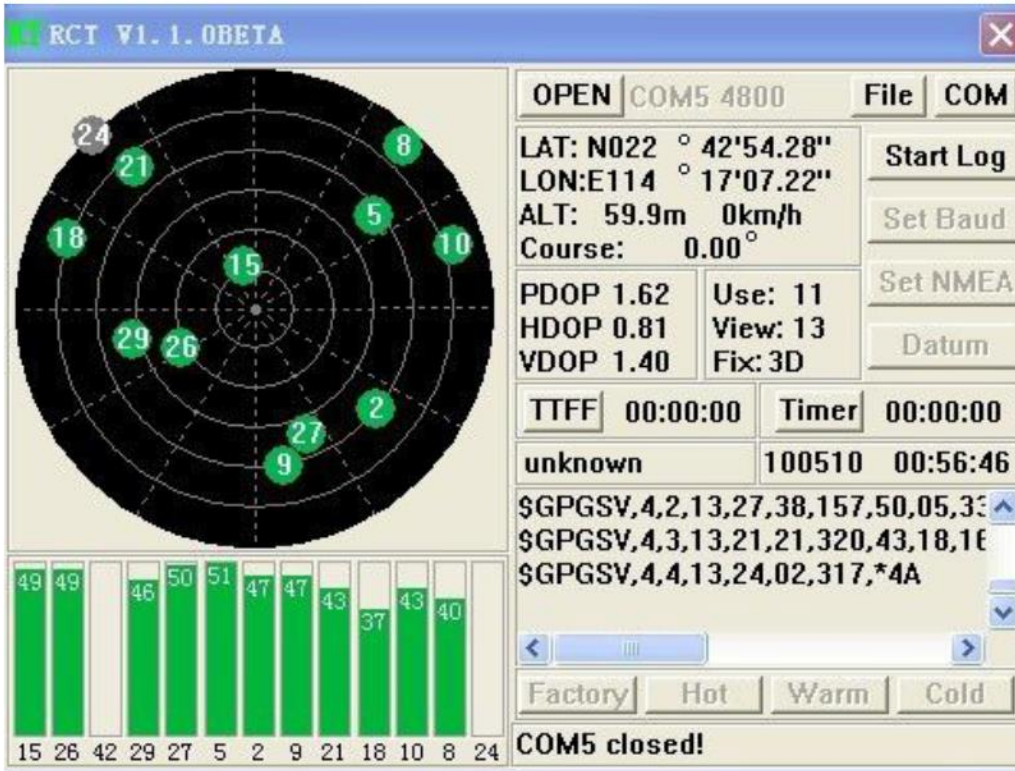
Characteristics	Specification
Frequency Range	1560MHz~1605MHz
Zenith Gain	>27 dBic
Output Impedance	50 ohm
Output VSWR	2.0 typ
Operation Voltage	3.3~5 V
Current	10~25 mA

5-4 LNA TEST CHART:

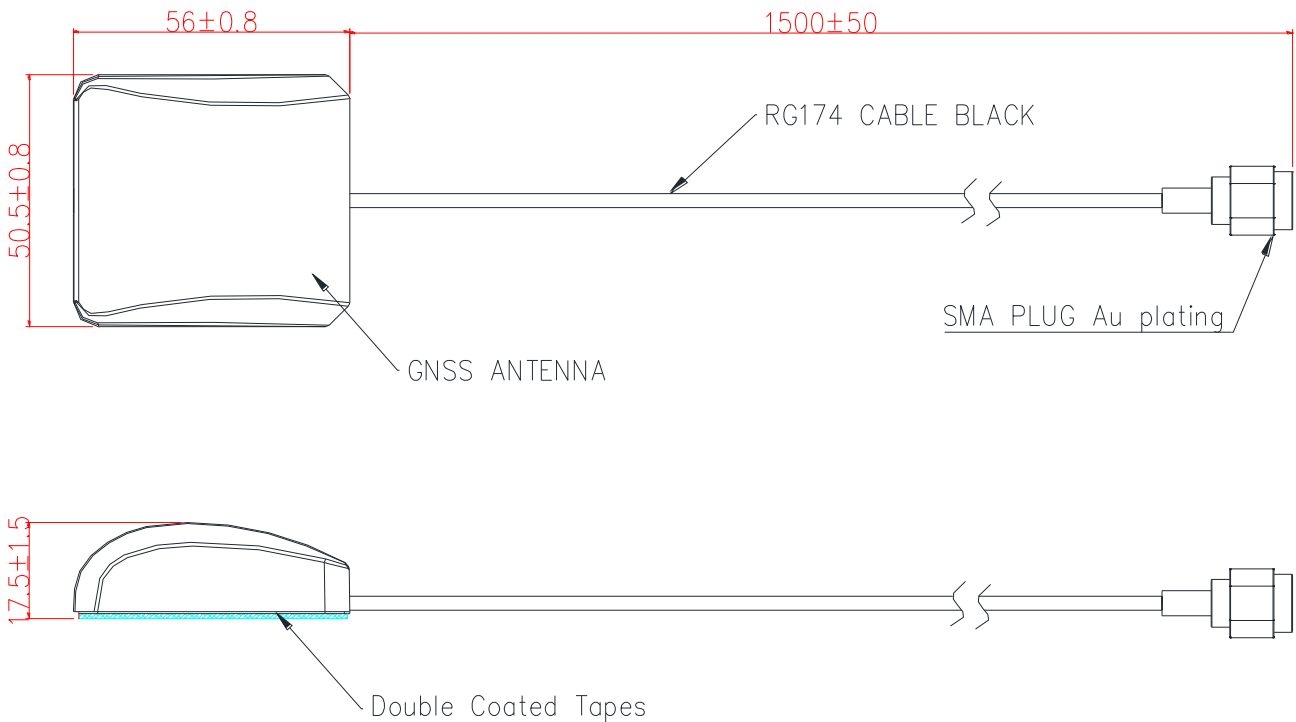



UNLESS OTHER SPECIFIED TOLERANCES ON :			KINGRF TECHNOLOGY CO., LTD.
X=±	X.X=±		
ANGLES=±		HOLEDIA=±	
SCALE :	UNIT : mm	THIS DRAWINGS AND SPECIFICATIONS ARE THE PROPERTY OF KINGRF TECHNOLOGY CO.,LTD.AND SHALL NOT BE REPRODUCED OR USED AS THE BASIS FOR THE MANUFACTURE OR SALE OF APPARATUS OR DEVICES WITHOUT PERMISSION	
DRAWN BY : XIN	CHECKED BY: YS		
DESIGNED BY: De wen	APPROVED BY: YS		
TITLE : GA-XXX-GN-G1S GNSS ACTIVE ANTENNA SPECIFICATION		DOCUMENT NO.	SPEC REV. P0

6. OPEN SKY TEST:

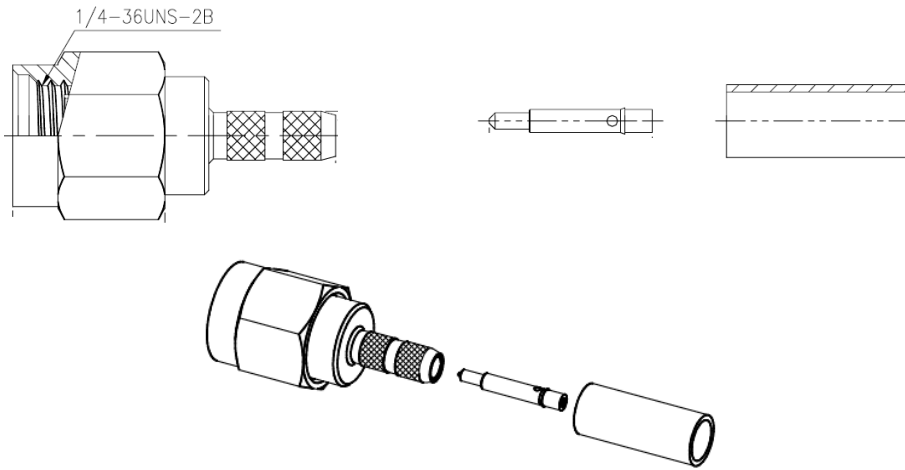


7. Antenna Dimension:



UNLESS OTHER SPECIFIED TOLERANCES ON :			KINGRF TECHNOLOGY CO., LTD.	
X=± X.X=± X.XX=±				
ANGLES=± HOLEDIA=±		THIS DRAWINGS AND SPECIFICATIONS ARE THE PROPERTY OF KINGRF TECHNOLOGY CO.,LTD.AND SHALL NOT BE REPRODUCED OR USED AS THE BASIS FOR THE MANUFACTURE OR SALE OF APPARATUS OR DEVICES WITHOUT PERMISSION		
SCALE :	UNIT : mm			
DRAWN BY : XIN	CHECKED BY: YS			
DESIGNED BY: De wen	APPROVED BY: YS	DOCUMENT NO.		SPEC REV.
TITLE : GA-XXX-GN-G1S GNSS ACTIVE ANTENNA SPECIFICATION				P0

8. Connector appearance: SMA PLUG



9. product Image:



UNLESS OTHER SPECIFIED TOLERANCES ON :			KINGRF TECHNOLOGY CO., LTD.
X=± X.X=± X.XX=± ANGLES=± HOLEDIA=±			
SCALE :	UNIT : mm	THIS DRAWINGS AND SPECIFICATIONS ARE THE PROPERTY OF KINGRF TECHNOLOGY CO.,LTD.AND SHALL NOT BE REPRODUCED OR USED AS THE BASIS FOR THE MANUFACTURE OR SALE OF APPARATUS OR DEVICES WITHOUT PERMISSION	
DRAWN BY : XIN	CHECKED BY: YS		
DESIGNED BY: De wen	APPROVED BY: YS		
TITLE : GA-XXX-GN-G1S GNSS ACTIVE ANTENNA SPECIFICATION		DOCUMENT NO.	SPEC REV.
			P0